



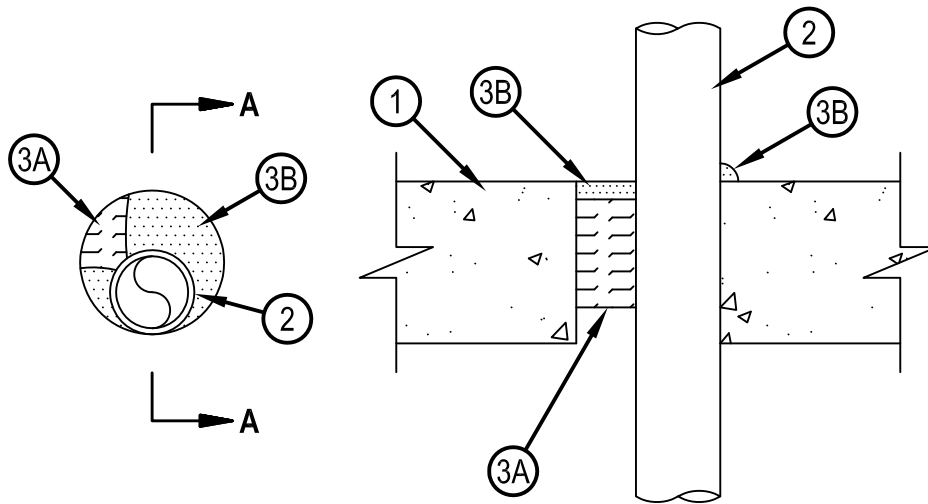
Classified by
Underwriters Laboratories, Inc.
to UL 1479

System No. C-AJ-2675

F Rating — 2 Hr

T Rating — 1 Hr

CAJ 2675



SECTION A-A

1. Floor or Wall Assembly — Min 4-1/2 in. (114 mm) thick reinforced lightweight or normal weight (100-150 pcf or 1600-2400 kg/m³) concrete. Wall may also be constructed of any UL Classified Concrete Blocks*. Max diam of opening is 4 in. (102 mm).
See Concrete Blocks (CAZT) category in the Fire Resistance Directory for names of manufacturers.
2. Through Penetrant* - Glass Pipe — Nom 2 in. (51 mm) diam (or smaller) glass pipe for use in closed (process or supply) or vented (drain, waste or vent) piping systems. One pipe to be installed eccentrically or concentrically within the firestop system. The annular space shall be min 0 in. (point contact) to max 1-3/4 in. (44 mm). Pipe coupling to be located min 12 in. (305 mm) from floor or wall surfaces. Pipe to be rigidly supported on both sides of floor or wall assembly.
SCHOTT NORTH AMERICA INC
3. Firestop System — The firestop system shall consist of the following:
 - A. Packing Material — Min 3 in. (76 mm) thickness of min 4 pcf (64 kg/m³) mineral wool batt insulation firmly packed into opening. Packing material to be recessed from top surface of floor or from both surfaces of wall to accommodate the required thickness of fill material (Item 3B).
 - B. Fill, Void or Cavity Material* - Sealant — Min 1/2 in. (13 mm) thickness of fill material applied within annulus between pipe and periphery of opening, flush with top surface of floor or both surfaces of wall. At point contact locations between pipe and periphery of opening, a 1/2 in. (13 mm) diam bead of fill material shall be applied at the periphery of concrete/pipe interface on the top surface of floor or both surfaces of wall.
HILTI CONSTRUCTION CHEMICALS, DIV OF HILTI INC — CFS-S SIL GG, CFS-S SIL SL (floors only)

*Bearing the UL Classification Mark



Hilti Firestop Systems

Reproduced by HILTI, Inc. Courtesy of
Underwriters Laboratories, Inc.
December 20, 2013