



Classified by
Underwriters Laboratories, Inc.
to UL 1479

System No. W-L-2406

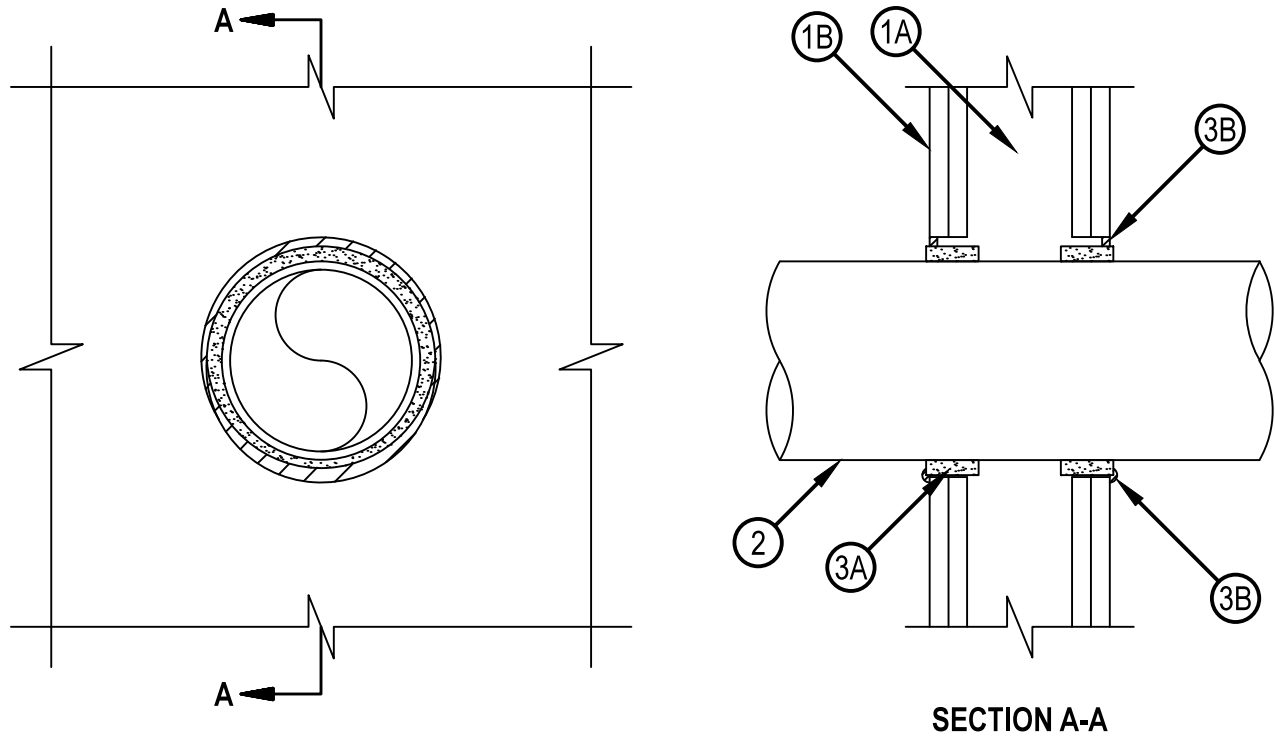
F Ratings — 1 and 2 Hr (See Item 1)

T Ratings — 0, 1/2 and 3/4 Hr (See Item 2)

L Rating At Ambient - 1.2 CFM/sq ft (See Item 3B)

L Rating At 400 F - Less Than 1 CFM/sq ft (See Item 3B)

WL 2406



1. Wall Assembly — The 1 or 2 hr fire-rated gypsum board/stud wall assembly shall be constructed of the materials and in the manner specified in the individual U300, U400, V400 or W400 Series Wall and Partition Designs in the UL Fire Resistance Directory and shall include the following construction features:

A. Studs — Wall framing may consist of either wood studs or steel channel studs. Wood studs to consist of nom 2 by 4 in. (51 by 102 mm) lumber spaced 16 in. (406 mm) OC. Steel studs to be min 3-1/2 in. (89 mm) wide and spaced max 24 in. (610 mm) OC.

B. Gypsum Board* — One or two layers of nom 5/8 in. (16 mm) thick gypsum board, as specified in the individual Wall and Partition Design. See Table under Item 3B for max diam of opening.

2. Through-Penetrants — One nonmetallic pipe installed within the firestop system. See Table under Item 3B for annular space required in the firestop system. Pipe to be rigidly supported on both sides of wall assembly. The following types and sizes of nonmetallic pipes may be used:

A. Polyvinyl Chloride (PVC) Pipe — Nom 6 in. (152 mm) diam (or smaller) Schedule 40 cellular or solid core PVC pipe for use in closed (process or supply) or vented (drain, waste or vent) piping system.

B. Chlorinated Polyvinyl Chloride (CPVC) Pipe — Nom 6 in. (152 mm) diam (or smaller) SDR 13.5 CPVC pipe for use in closed (process or supply) piping system.

C. Acrylonitrile Butadiene Styrene (ABS) Pipe — Nom 4 in. (102 mm) diam (or smaller) Schedule 40 cellular or solid core ABS pipe for use in closed (process or supply) or vented (drain, waste or vent) piping system.

The T Rating for 2 hr fire-rated walls is 0 hr. The T Rating for 1 hr fire-rated walls is 3/4 hr for nom 1-1/2, 2 and 3 in. (38, 51 and 76 mm) diam through penetrants. The T Rating for 1 hr fire-rated walls is 1/2 hr for nom 4 and 6 in. (102 and 152 mm) diam through penetrants.



Hilti Firestop Systems

Reproduced by HILTI, Inc. Courtesy of
Underwriters Laboratories, Inc.

January 26, 2015



System No. W-L-2406

WL 2406

Classified by
Underwriters Laboratories, Inc.
to UL 1479

3. Firestop System — The firestop system shall consist of the following:

A. Fill, Void or Cavity Material* — Wrap Strip — See Table under Item 3B for min size of intumescent wrap strip. The wrap strip is continuously wrapped around the outer circumference of the pipe once and slid into the annular space such that approx 1/8 in. (3 mm) of the wrap strip protrudes from the wall surface. Wrap strip is held in place with integral fastening tape. Wrap strip installed on each surface of wall.

HILTI CONSTRUCTION CHEMICALS, DIV OF HILTI INC — CP 648S - 1.5" US, CP 648S - 2" US, CP 648S - 3" US, CP 648S - 4" US and CP 648S - 6" US

B. Fill, Void or Cavity Material* — Caulk — Min 1/4 in. (6 mm) thickness of fill material applied within the annulus, flush with both surfaces of wall. For 2 hr fire-rated walls, 1/4 in. (6 mm) bead fill material also applied at wrap strip/gypsum wall interface. In 1 hr fire-rated walls, fill material is optional for nom 1-1/2, 2, 3 and 4 in. (38, 51, 76 and 102 mm) diam penetrants. In 2 hr fire-rated walls, fill material is optional for nom 1-1/2, 2 and 3 in. (38, 51 and 76 mm) diam penetrants. Fill material is required to be used to attain L Ratings.

HILTI CONSTRUCTION CHEMICALS, DIV OF HILTI INC — FS-One Sealant or FS-ONE MAX Intumescent Sealant

Nom Pipe Diam, in. (mm)	Wrap Strip	Wrap Strip Size, thick. X width, in. (mm)	Max Diam of Opening, in. (mm)	Annular Space, in. (mm)	
				Min	Max
1-1/2 (38)	CP 648S - 1.5" US	3/16 x 1 (5 x 25)	2-3/8 (60)	3/16 (5)	5/16 (8)
2 (51)	CP 648S - 2" US	3/16 x 1 (5 x 25)	3 (76)	3/16 (5)	5/16 (8)
3 (76)	CP 648S - 3" US	3/16 x 1-3/4 (5 x 44)	4 (102)	3/16 (5)	5/16 (8)
4 (102)	CP 648S - 4" US	3/8 x 1-3/4 (10 x 44)	5-3/8 (137)	3/8 (10)	1/2 (13)
6 (152)	CP 648S - 6" US	1/2 x 1-3/4 (13 x 44)	8 (203)	9/16 (14)	13/16 (21)

* Indicates such products shall bear the UL or cUL Certification Mark for jurisdictions employing the UL or cUL Certification (such as Canada), respectively.



Hilti Firestop Systems

Reproduced by HILTI, Inc. Courtesy of
Underwriters Laboratories, Inc.

January 26, 2015