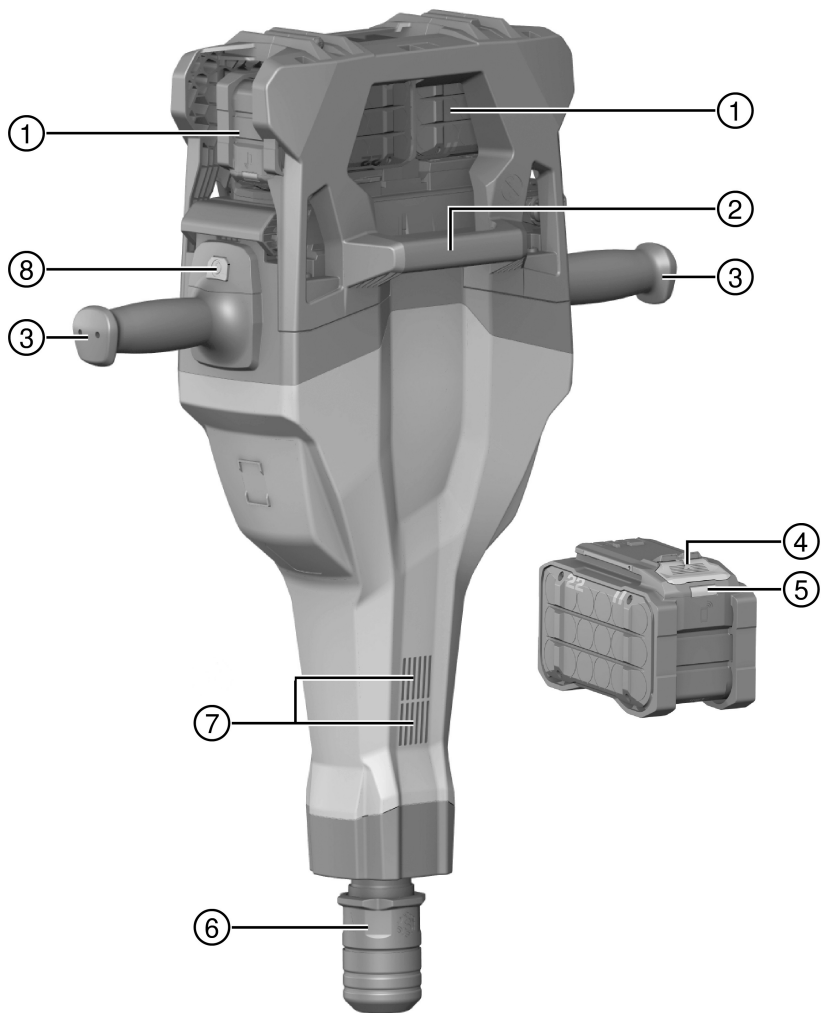
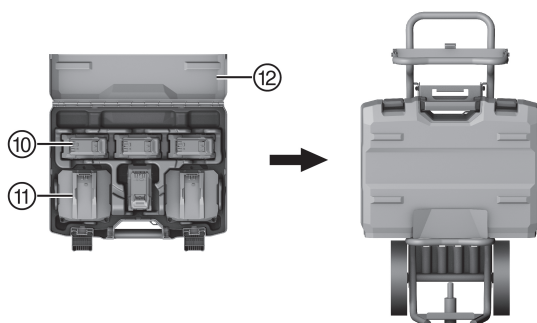
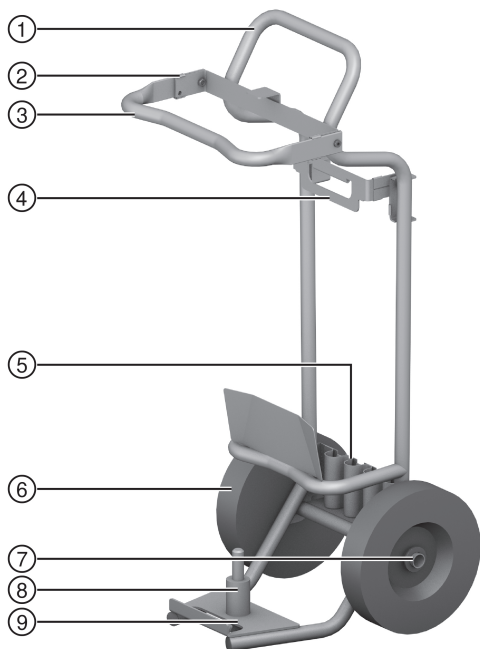




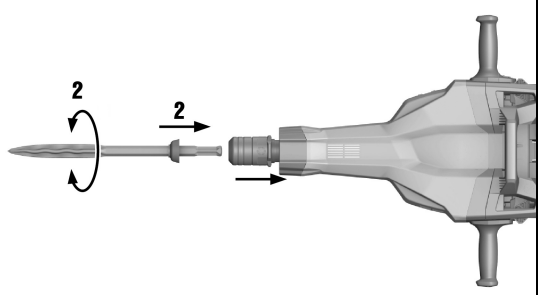
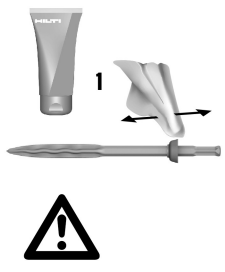
TE 2000-22
NURON

English	1
Français	13
Dansk	25
Svenska	37
Norsk	48
Suomi	60
Eesti	72
Latviešu	83
Lietuvių	96
Русский	108
Українська	122
Қазақ	136
Türkçe	149
عربي	162
日本語	175
한국어	186
繁體中文	198
中文	208

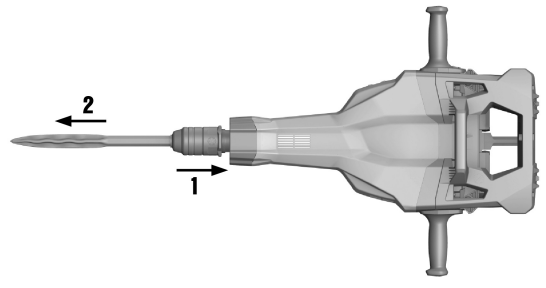




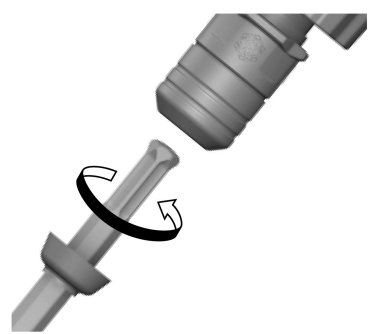
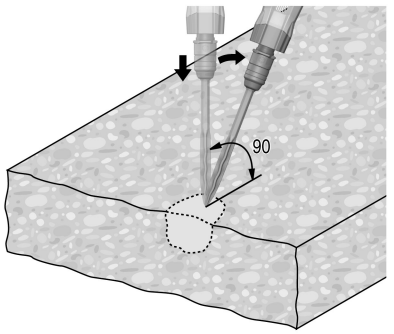
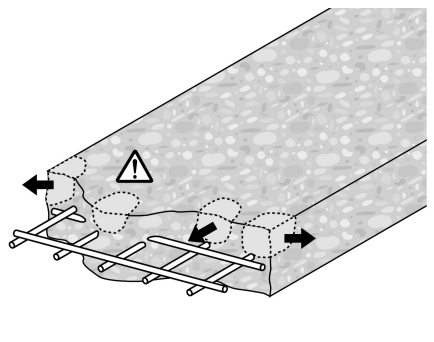
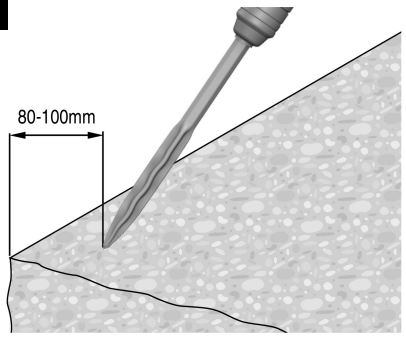
3



4



5



TE 2000-22

en	Original operating instructions	1
fr	Mode d'emploi original	13
da	Original brugsanvisning	25
sv	Originalbruksanvisning	37
no	Original bruksanvisning	48
fi	Alkuperäiset ohjeet	60
et	Originaalkasutusjuhend	72
lv	Originālā lietošanas instrukcija	83
lt	Originali naudojimo instrukcija	96
ru	Перевод оригинального руководства по эксплуатации	108
uk	Оригінальна інструкція з експлуатації	122
kk	Түпнұсқа пайдалану бойынша нұсқаулық	136
tr	Orijinal kullanım kılavuzu	149
ar	دليل الاستعمال الأصلي	162
ja	オリジナル取扱説明書	175
ko	오리지널 사용 설명서	186
zh	原始操作說明	198
cn	原版操作说明	208

Original operating instructions

1 Information about the documentation

1.1 About this documentation

- Read this documentation before initial operation or use. This is a prerequisite for safe, trouble-free handling and use of the product.
- Observe the safety instructions and warnings in this documentation and on the product.
- Always keep the operating instructions with the product and make sure that the operating instructions are with the product when it is given to other persons.

1.2 Explanation of symbols

1.2.1 Warnings

Warnings alert persons to hazards that occur when handling or using the product. The following signal words are used:

DANGER

DANGER !

- ▶ Draws attention to imminent danger that will lead to serious personal injury or fatality.

WARNING

WARNING !

- ▶ Draws attention to a potential threat of danger that can lead to serious injury or fatality.

CAUTION

CAUTION !

- ▶ Draws attention to a potentially dangerous situation that could lead to personal injury or damage to the equipment or other property.

1.2.2 Symbols in the operating instructions

The following symbols are used in these operating instructions:

	Comply with the operating instructions
	Instructions for use and other useful information
	Dealing with recyclable materials
	Do not dispose of electric equipment and batteries as household waste
	Hilti Li-ion battery
	Hilti charger

1.2.3 Symbols in illustrations

The following symbols are used in illustrations:

2	These numbers refer to the illustrations at the beginning of these operating instructions.
3	The numbering reflects the sequence of operations shown in the illustrations and may deviate from the steps described in the text.
11	Item reference numbers are used in the overview illustration and refer to the numbers used in the key in the product overview section.
	These characters are intended to specifically draw your attention to certain points when handling the product.



1.3 Product-dependent symbols

1.3.1 Symbols on the product

The following symbols can be used on the product:

	Transport by crane is not permissible
	The product supports near-field communication (NFC) technology compatible with iOS and Android platforms.
Li-Ion	Li-ion battery
	Never use the battery as a striking tool.
	Do not drop the battery. Never use a battery that has suffered an impact or is damaged in any other way.

1.4 Product information

products are designed for professional users and only trained, authorized personnel are permitted to operate, service and maintain the products. This personnel must be specifically informed about the possible hazards. The product and its ancillary equipment can present hazards if used incorrectly by untrained personnel or if used not in accordance with the intended use.

The type designation and serial number are printed on the rating plate.

- ▶ Write down the serial number in the table below. You will be required to state the product details when contacting Hilti Service or your local Hilti organization to inquire about the product.

Product information

Breaker	TE 2000-22
Generation	01
Serial no.	

1.5 Declaration of conformity

The manufacturer declares, on his sole responsibility, that the product described here complies with the applicable legislation and standards. A copy of the declaration of conformity can be found at the end of this documentation.

The technical documentation is filed here:

Hilti Entwicklungsgesellschaft mbH | Tool Certification | Hiltistrasse 6 | D-86916 Kaufering, Germany

2 Safety

2.1 General power tool safety warnings

⚠ WARNING Read all safety warnings, instructions, illustrations and specifications provided with this power tool. Failure to follow all instructions listed below may result in electric shock, fire and/or serious injury. **Save all warnings and instructions for future reference.**

The term "power tool" in the warnings refers to your mains-operated (corded) power tool or battery-operated (cordless) power tool.

Work area safety

- ▶ **Keep work area clean and well lit.** Cluttered or dark areas invite accidents.
- ▶ **Do not operate power tools in explosive atmospheres, such as in the presence of flammable liquids, gases or dust.** Power tools create sparks which may ignite the dust or fumes.
- ▶ **Keep children and bystanders away while operating a power tool.** Distractions can cause you to lose control.

Electrical safety

- ▶ **Power tool plugs must match the outlet. Never modify the plug in any way. Do not use any adapter plugs with earthed (grounded) power tools.** Unmodified plugs and matching outlets will reduce risk of electric shock.



- ▶ **Avoid body contact with earthed or grounded surfaces, such as pipes, radiators, ranges and refrigerators.** There is an increased risk of electric shock if your body is earthed or grounded.
- ▶ **Do not expose power tools to rain or wet conditions.** Water entering a power tool will increase the risk of electric shock.
- ▶ **Do not abuse the cord. Never use the cord for carrying, pulling or unplugging the power tool. Keep cord away from heat, oil, sharp edges or moving parts.** Damaged or entangled cords increase the risk of electric shock.
- ▶ **When operating a power tool outdoors, use an extension cord suitable for outdoor use.** Use of a cord suitable for outdoor use reduces the risk of electric shock.
- ▶ **If operating a power tool in a damp location is unavoidable, use a residual current device (RCD) protected supply.** Use of an RCD reduces the risk of electric shock.

Personal safety

- ▶ **Stay alert, watch what you are doing and use common sense when operating a power tool. Do not use a power tool while you are tired or under the influence of drugs, alcohol or medication.** A moment of inattention while operating power tools may result in serious personal injury.
- ▶ **Use personal protective equipment. Always wear eye protection.** Protective equipment such as a dust mask, non-skid safety shoes, hard hat or hearing protection used for appropriate conditions will reduce personal injuries.
- ▶ **Prevent unintentional starting. Ensure the switch is in the off-position before connecting to power source and/or battery pack, picking up or carrying the tool.** Carrying power tools with your finger on the switch or energising power tools that have the switch on invites accidents.
- ▶ **Remove any adjusting key or wrench before turning the power tool on.** A wrench or a key left attached to a rotating part of the power tool may result in personal injury.
- ▶ **Do not overreach. Keep proper footing and balance at all times.** This enables better control of the power tool in unexpected situations.
- ▶ **Dress properly. Do not wear loose clothing or jewellery. Keep your hair and clothing away from moving parts.** Loose clothes, jewellery or long hair can be caught in moving parts.
- ▶ **If devices are provided for the connection of dust extraction and collection facilities, ensure these are connected and properly used.** Use of dust collection can reduce dust-related hazards.
- ▶ **Do not let familiarity gained from frequent use of tools allow you to become complacent and ignore tool safety principles.** A careless action can cause severe injury within a fraction of a second.

Power tool use and care

- ▶ **Do not force the power tool. Use the correct power tool for your application.** The correct power tool will do the job better and safer at the rate for which it was designed.
- ▶ **Do not use the power tool if the switch does not turn it on and off.** Any power tool that cannot be controlled with the switch is dangerous and must be repaired.
- ▶ **Disconnect the plug from the power source and/or remove the battery pack, if detachable, from the power tool before making any adjustments, changing accessories, or storing power tools.** Such preventive safety measures reduce the risk of starting the power tool accidentally.
- ▶ **Store idle power tools out of the reach of children and do not allow persons unfamiliar with the power tool or these instructions to operate the power tool.** Power tools are dangerous in the hands of untrained users.
- ▶ **Maintain power tools and accessories. Check for misalignment or binding of moving parts, breakage of parts and any other condition that may affect the power tool's operation. If damaged, have the power tool repaired before use.** Many accidents are caused by poorly maintained power tools.
- ▶ **Keep cutting tools sharp and clean.** Properly maintained cutting tools with sharp cutting edges are less likely to bind and are easier to control.
- ▶ **Use the power tool, accessories and tool bits etc. in accordance with these instructions, taking into account the working conditions and the work to be performed.** Use of the power tool for operations different from those intended could result in a hazardous situation.
- ▶ **Keep handles and grasping surfaces dry, clean and free from oil and grease.** Slippery handles and grasping surfaces do not allow for safe handling and control of the tool in unexpected situations.

Battery tool use and care

- ▶ **Recharge only with the charger specified by the manufacturer.** A charger that is suitable for one type of battery pack may create a risk of fire when used with another battery pack.
- ▶ **Use power tools only with specifically designated battery packs.** Use of any other battery packs may create a risk of injury and fire.



- ▶ **When battery pack is not in use, keep it away from other metal objects, like paper clips, coins, keys, nails, screws or other small metal objects, that can make a connection from one terminal to another.** Shorting the battery terminals together may cause burns or a fire.
- ▶ **Under abusive conditions, liquid may be ejected from the battery; avoid contact. If contact accidentally occurs, flush with water. If liquid contacts eyes, additionally seek medical help.** Liquid ejected from the battery may cause irritation or burns.
- ▶ **Do not use a battery pack or tool that is damaged or modified.** Damaged or modified batteries may exhibit unpredictable behaviour resulting in fire, explosion or risk of injury.
- ▶ **Do not expose a battery pack or tool to fire or excessive temperature.** Exposure to fire or temperature above 130° C (265 °F) may cause explosion.
- ▶ **Follow all charging instructions and do not charge the battery pack or tool outside the temperature range specified in the instructions.** Charging improperly or at temperatures outside the specified range may damage the battery and increase the risk of fire.

Service

- ▶ **Have your power tool serviced by a qualified repair person using only identical replacement parts.** This will ensure that the safety of the power tool is maintained.
- ▶ **Never service damaged battery packs.** Service of battery packs should only be performed by the manufacturer or authorized service providers.

2.2 Hammer safety warnings

Safety instructions for all operations

- ▶ **Wear ear protectors.** Exposure to noise can cause hearing loss.
- ▶ **Use auxiliary handle(s), if supplied with the tool.** Loss of control can cause personal injury.
- ▶ **Hold the power tool by insulated gripping surfaces, when performing an operation where the cutting accessory may contact hidden wiring.** Cutting accessory contacting a "live" wire may make exposed metal parts of the power tool "live" and could give the operator an electric shock.

2.3 Additional safety instructions for breakers

Personal safety

- ▶ Use the product and accessories only when they are in perfect working order.
- ▶ Never tamper with or modify the product or accessories in any way.
- ▶ Whenever possible, use the transport trolley or other means of transport. The product should always be carried by two persons if no transport trolley or means of transport is available for use. Bear in mind that product plus transport trolley are of considerable weight.
- ▶ When chiseling into ceilings, walls and floors, always make sure that you have a safe and firm stance. A sudden break-through can affect your balance!
- ▶ Apply appropriate safety measures at the opposite side of the workpiece in work that involves breaking through. Parts breaking away could fall out and / or fall down causing injury to other persons.
- ▶ You and any other persons in the vicinity must wear eye protection, a hard hat, ear protection, protective gloves and light respiratory protection while the product is in use.
- ▶ Dust produced by grinding, sanding, cutting and drilling can contain dangerous chemicals. Some examples are: lead or lead-based paints; brick, concrete and other masonry products, natural stone and other products containing silicates; certain types of wood, such as oak, beech and chemically treated wood; asbestos or materials that contain asbestos. Determine the exposure of the operator and bystanders by means of the hazard classification of the materials to be worked. Implement the necessary measures to restrict exposure to a safe level, for example by the use of a dust collection system or by the wearing of suitable respiratory protection. The general measures for reducing exposure include:
 - ▶ working in an area that is well ventilated,
 - ▶ avoidance of prolonged contact with dust,
 - ▶ directing dust away from the face and body,
 - ▶ wearing protective clothing and washing exposed areas of the skin with water and soap.
- ▶ Wear protective gloves when changing the accessory tool. Touching the accessory tool can result in cuts and burns.
- ▶ Risk of injury by falling tools and/or accessories. Before starting work, check that the battery and installed accessories are secure.
- ▶ Keep the air vents clear at all times. Risk of burn injuries due to blocked air vents!
- ▶ Wear eye protection. Flying fragments present a risk of injury to the body and eyes.



- ▶ Take frequent breaks and do physical exercises to improve the blood circulation in your fingers. High vibration during long periods of work can lead to disorders of the blood vessels and nervous system in the fingers, hands and wrists.
- ▶ Make sure that the product always stands in a steady, secure position. Always set the product on a level, sturdy, vibration-free and shock-free flat.

Electrical safety

- ▶ Before beginning work, check the working area for concealed electric cables or gas and water pipes. External metal parts of the product could give you an electric shock or cause an explosion if you accidentally damage an electric cable or a gas or water pipe.

Power tool use and care

- ▶ Wait until the power tool stops completely before you lay it down.
- ▶ Switch the product on only after bringing it to the working position.

2.4 Battery use and care

- ▶ **Comply with the following safety instructions for the safe handling and use of Li-ion batteries.** Failure to comply can lead to skin irritation, severe corrosive injury, chemical burns, fire and/or explosion.
- ▶ Use only batteries that are in perfect working order.
- ▶ Treat batteries with care in order to avoid damage and prevent leakage of fluids that are extremely harmful to health!
- ▶ Do not under any circumstances modify or tamper with batteries!
- ▶ Do not disassemble, crush or incinerate batteries and do not subject them to temperatures over 80 °C (176 °F).
- ▶ Never use or charge a battery that has suffered an impact or been damaged in any other way. Check your batteries regularly for signs of damage.
- ▶ Never use recycled or repaired batteries.
- ▶ Never use the battery or a battery-operated power tool as a striking tool.
- ▶ Never expose batteries to the direct rays of the sun, elevated temperature, sparking, or open flame. This can lead to explosions.
- ▶ Do not touch the battery poles with your fingers, tools, jewelry, or other electrically conductive objects. This can damage the battery and also cause material damage and personal injury.
- ▶ Keep batteries away from rain, moisture and liquids. Penetrating moisture can cause short circuits, electric shock, burns, fire and explosions.
- ▶ Use only chargers and power tools approved for the specific battery type. Read and follow the relevant operating instructions.
- ▶ Do not use or store the battery in explosive environments.
- ▶ If the battery is too hot to touch, it may be defective. Put the battery in a place where it is clearly visible and where there is no risk of fire, at an adequate distance from flammable materials. Allow the battery to cool down. If it is still too hot to touch after an hour, the battery is faulty. Consult **Hilti** Service or read the document entitled "Instructions on safety and use for **Hilti** Li-ion batteries".



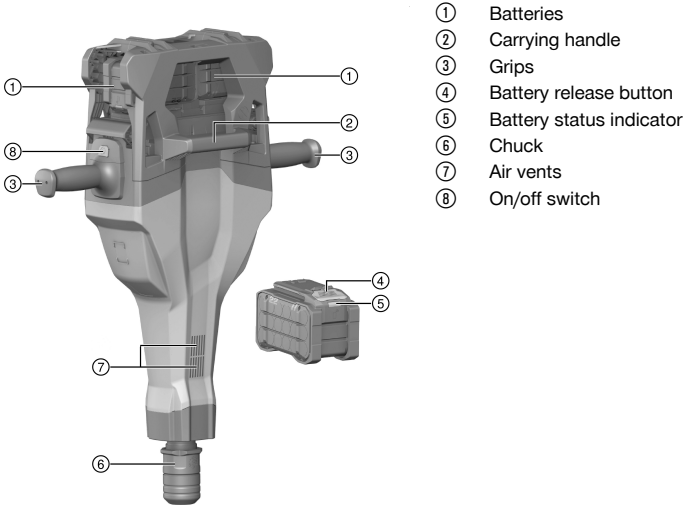
Observe the special guidelines applicable to the transport, storage and use of lithium-ion batteries.
→ page 11

Read the instructions on safety and use of **Hilti** Li-ion batteries that you can access by scanning the QR code at the end of these operating instructions.



3 Description

3.1 Product overview 1



- ① Batteries
- ② Carrying handle
- ③ Grips
- ④ Battery release button
- ⑤ Battery status indicator
- ⑥ Chuck
- ⑦ Air vents
- ⑧ On/off switch

3.2 Overview of transport trolley and case B22/C (XL) (optional) 2

- ① Grip
- ② Load retainer
- ③ Locking bar
- ④ Lock for battery case B22/C (XL)
- ⑤ Holder for accessory tools (chisels)
- ⑥ Wheels
- ⑦ Wheel securing parts (washer, retaining pin)
- ⑧ Power tool locating pin
- ⑨ Carrying handle
- ⑩ Battery
- ⑪ Charger
- ⑫ Case B22/C (XL)

3.3 Intended use

The product described is a hand-held cordless breaker. It is designed for chiseling work on concrete, masonry and asphalt. It can also be used for excavating and compacting.

Use the product only in the downward working direction, toward the floor.

- For this product, use only **Hilti** Nuron lithium-ion batteries of the B 22 series. For optimum performance, **Hilti** recommends the batteries stated in the table at the end of these operating instructions for this product.
- For these batteries, use only **Hilti** chargers of the type series stated in the table at the end of these operating instructions.

3.4 Misuse

- Use of the product in a damp or wet environment is not permissible.
- Do not use the product where there is a risk of fire and explosion.
- Working with materials hazardous to health (e.g. asbestos) is not permissible.
- Do not transport the product by crane.
- Do not work off a ladder.
- Do not use the product in a horizontal working direction, toward the wall.
- Do not use a tool tether.



3.5 Active Vibration Reduction

The tool is equipped with an Active Vibration Reduction (AVR) system which reduces vibration noticeably.

3.6 Items supplied

Cordless breaker, operating instructions, grease

The transport trolley and the case for batteries and charger are available as accessories.

Other system products approved for use with this product can be found at your local **Hilti Store** or at: www.hilti.group

3.7 Status indicators of the Li-ion battery

Hilti Nuron Li-ion batteries can indicate state of charge, fault messages and the battery's state of health.

3.7.1 Indicators for state of charge and fault messages



WARNING

Risk of injury by a falling battery!

- ▶ If the release button is pressed with a battery inserted in the product, subsequently check that the battery is correctly re-engaged and secure.

Short-press the release button of the battery to get whichever of the following status indications is applicable at the time.

State of charge and, if applicable, faults are indicated constantly as long as the connected product is switched on.

Status	Meaning
Four (4) LEDs show constantly green	State of charge: 100 % to 71 %
Three (3) LEDs show constantly green	State of charge: 70 % to 51 %
Two (2) LEDs show constantly green	State of charge: 50 % to 26 %
One (1) LED shows constantly green	State of charge: 25 % to 10 %
One (1) LED slow-flashes green	State of charge: < 10 %
One (1) LED quick-flashes green	The Li-ion battery is completely discharged. Recharge the battery. If the LED again starts quick-flashing after the battery has been charged, consult Hilti Service .
One (1) LED quick-flashes yellow	The Li-ion battery or the product in which it is inserted is overloaded, too hot or too cold, or experiencing some other fault. Bring the product and the battery to the recommended working temperature and do not overload the product when it is in use. If the message persists, consult Hilti Service .
One (1) LED shows yellow	The Li-ion battery and the product in which it is inserted are not compatible. Consult Hilti Service .
One (1) LED quick-flashes red	The Li-ion battery is locked and cannot be used. Consult Hilti Service .

3.7.2 Indicators showing the battery's state of health

To check the battery's state of health, press the release button and hold it down for longer than three seconds. The system does not detect a potential malfunction of the battery due to misuse, for example battery dropped or pierced, external heat damage, etc.

Status	Meaning
All LEDs show in sequence, followed by one (1) LED showing constantly green.	The battery can remain in use.
All LEDs show in sequence, followed by one (1) LED quick-flashing yellow.	The check to ascertain the battery's state of health did not complete. Repeat the procedure, or consult Hilti Service .



Status	Meaning
All LEDs show in sequence, followed by one (1) LED showing constantly red.	If a connected product can still be used, the remaining battery capacity is below 50 %. If a connected product can no longer be used, the battery has reached the end of its useful life and has to be replaced. Consult Hilti Service .

4 Cordless breaker

	TE 2000-22
Weight in accordance with EPTA Procedure 01, without battery	17.4 kg
Single impact energy (EPTA-Procedure 05)	38.2 J
Ambient temperature for operation	-17 °C ... 60 °C
Storage temperature	-20 °C ... 70 °C

4.1 Battery

Battery operating voltage	21.6 V
Weight, battery	See the end of these operating instructions
Ambient temperature for operation	-17 °C ... 60 °C
Storage temperature	-20 °C ... 40 °C
Battery charging starting temperature	-10 °C ... 45 °C

4.2 Noise information and vibration values in accordance with EN 62841

The sound pressure and vibration values given in these instructions were measured in accordance with a standardized test and can be used to compare one power tool with another. They can also be used for a preliminary assessment of exposure.

The data given represent the main applications of the power tool. However, if the power tool is used for different applications, with different accessory tools, or is poorly maintained, the data can vary. This can significantly increase exposure over the total working period.

An accurate estimation of exposure should also take into account the times when the tool is switched off, or when it is running but not actually being used for a job. This can significantly reduce exposure over the total working period.

Identify additional safety measures to protect the operator from the effects of noise and/or vibration, for example: maintaining the power tool and accessory tools, keeping the hands warm, organization of work patterns.

Noise information

Measured sound power level (L_{WA})	98 dB(A)
Uncertainty for the sound power level (K_{WA})	3 dB(A)
Emission sound pressure level (L_{pA})	87 dB(A)
Uncertainty for the sound pressure level (K_{pA})	3 dB(A)

Total vibration

Chiseling ($a_{h, Cheq}$)	B 22-170	3.8 m/s ²
	B 22-255	3.8 m/s ²
Uncertainty (K)		1.5 m/s ²

5 Preparations at the workplace

WARNING

Risk of injury by inadvertent starting!

- ▶ Before inserting the batteries, make sure that the product is switched off.
- ▶ Remove the batteries before making adjustments and before changing accessories.



Observe the safety instructions and warnings in this documentation and on the product.

5.1 Charging the batteries

1. Before charging the battery, read the operating instructions for the charger.
2. Make sure that the contacts on the battery and the contacts on the charger are clean and dry.
3. Use an approved charger to charge the battery. → page 6

5.2 Inserting batteries

WARNING

Risk of injury by short circuit or falling battery!

- ▶ Before inserting the batteries, make sure that the contacts on the batteries and the contacts on the product are free of foreign matter.
- ▶ Make sure that the batteries always engage correctly.

1. Charge the batteries fully before using them for the first time.
2. Push the batteries into the product until they engage with an audible click.
3. Check that the batteries are seated securely.

5.3 Removing the battery

1. Press the battery release button.
2. Remove the battery from the product.

6 Operation

Observe the safety instructions and warnings in this documentation and on the product.

6.1 Inserting the accessory tool

1. Lightly grease the connection end of the accessory tool.



The use of unsuitable grease can cause damage to the product. **Use only genuine Hilti grease.**

2. Push the accessory tool into the chuck as far as it will go, turning it and applying light pressure until it engages with an audible click.
3. Check that the chisel has engaged correctly by gripping and pulling it.

6.2 Removing the accessory tool

CAUTION

Risk of injury! The accessory tool may be hot and/or have sharp edges.

- ▶ Wear protective gloves when changing the accessory tool.
- ▶ Never lay down a hot accessory tool on a flammable surface.

1. Pull the accessory tool retaining bar back as far as it will go.
2. Remove the accessory tool.

6.3 Operation

Observe the safety instructions and warnings in this documentation and on the product.

Full approval must be obtained from the site engineer or architect prior to beginning the work.

6.3.1 Chiseling

1. Position the tip of the chisel at the desired location.



2. Press the on/off switch.



Working at low temperatures:

The hammering mechanism works only when the product has reached a minimum operating temperature. Briefly position the product on the surface to be worked and run the product under no load until the required temperature is reached. If necessary, repeat this procedure until the hammering mechanism begins to operate.

6.3.2 Switching off

- ▶ Press the on/off switch.

6.3.3 Working with the power tool



The chisel can be adjusted to 6 different positions (in 60° increments). This ensures that flat chisels and shaped chisels can always be set to the optimum working position.

- ▶ Bring the chisel into contact with the workpiece about 80 -100 mm (3 1/8" - 4") from its edge.
- ▶ When working close to reinforcing bars, always guide the chisel toward the edge of the workpiece, not toward a reinforcing bar.
- ▶ Start with the chisel held at an angle of 90 ° to the concrete surface and face the chisel toward the edge of the workpiece. Then change the angle to 70 ° to 80 ° and chisel the material away.
- ▶ Rotate the chisel regularly to help ensure even wear and to promote the self-sharpening process.
- ▶ If inadequate pressure is applied, the chisel will jump around uncontrollably. Application of excessive pressure will result in a loss of chiseling performance.

7 Transport trolley and case B22/C (XL)

7.1 Transport

The transport trolley helps to ensure that the breaker can be transported safely.

Case B22/C (XL) ensures safe transport of charger and battery.

- Take care to ensure that the transport trolley stands in a steady, secure position.
- Place the product on the locating pin provided on the transport trolley and always secure it for transport by engaging the retainer.
- Place the case B22/C (XL) on the transport trolley and secure it with the lock.
- Take care to use only safe transport routes.
- Do not park the transport trolley on an incline.
- Do not crane-lift the transport trolley and case B22/C (XL).
- Push the chisels into the holders provided until they engage securely.
- Take care to use only safe transport routes.
- Do not park the transport trolley on an incline.
- Do not crane-lift the transport trolley and case B22/C (XL).

8 Care and maintenance



WARNING

Risk of injury with batteries inserted !

- ▶ Always remove the batteries before carrying out care and maintenance tasks!
-

Care of the product

- Carefully remove stubborn dirt.
- Carefully clean the ventilation slots, if present, with a dry brush.
- Use only a slightly damp cloth to clean the casing. Do not use cleaning agents containing silicone as these can attack the plastic parts.



Care of the Li-ion batteries

- Never use a battery with clogged ventilation slots. Clean the ventilation slots carefully using a dry, soft brush.
- Avoid unnecessary exposure of the battery to dust and dirt. Never expose the battery to high levels of moisture (e.g. by being dipped in water or left in the rain).
If a battery has been soaked by moisture, treat it as a damaged battery. Isolate it in a non-flammable container and consult **Hilti Service**.
- Keep the battery free of oil and grease. Do not permit dust or dirt to accumulate unnecessarily on the battery. Clean the battery with a dry, soft brush or a clean, dry rag.
Do not use cleaning agents containing silicone as these can attack the plastic parts.
- Use only a slightly damp cloth to clean the casing. Do not use cleaning agents containing silicone as these can attack the plastic parts.

Maintenance

- Check all visible parts and controls for signs of damage at regular intervals and make sure that they all function correctly.
- Do not operate the product if signs of damage are found or if parts malfunction. Have it repaired immediately by **Hilti Service**.
- After cleaning and maintenance, fit all guards or protective devices and check that they function correctly.



To help ensure safe and reliable operation, use only genuine Hilti spare parts and consumables. Spare parts, consumables and accessories approved by Hilti for use with the product can be found at your local **Hilti Store** or online at: www.hilti.group.

9 Transport and storage of cordless tools and batteries

Transport

CAUTION

Accidental starting during transport !

- ▶ Always transport your products with the batteries removed!
- ▶ Remove the battery/batteries.
- ▶ Never transport batteries loose and unprotected. During transport, batteries should be protected from excessive shock and vibration and isolated from any conductive materials or other batteries that may come in contact with the terminals and cause a short circuit. **Comply with the locally applicable regulations for transporting batteries.**
- ▶ Do not send batteries through the mail. Consult your shipper for instructions on how to ship undamaged batteries.
- ▶ Prior to each use and before and after prolonged transport, check the product and the batteries for damage.

Storage

WARNING

Accidental damage caused by defective or leaking batteries !

- ▶ Always store your products with the batteries removed!
- ▶ Store the product and the batteries in a cool and dry place. Comply with the temperature limits stated in the technical data.
- ▶ Do not store batteries on the charger. Always remove the battery from the charger when the charging operation has completed.
- ▶ Never leave batteries in direct sunlight, on sources of heat, or behind glass.
- ▶ Store the product and batteries where they cannot be accessed by children or unauthorized persons.
- ▶ Prior to each use and before and after prolonged storage, check the product and the batteries for damage.

10 Troubleshooting

If a problem occurs, always observe the charge-status and fault indicator of the battery. See the section headed **Status indicators of the Li-ion battery**.

If the trouble you are experiencing is not listed in this table or you are unable to rectify the problem by yourself, contact **Hilti Service**.



Trouble or fault	Possible cause	Action to be taken
The battery does not engage with an audible click.	Retaining lug on battery or tool interface dirty.	▶ Clean the retaining lugs and re-insert the batteries.
The battery runs down more quickly than usual.	Battery state of health is not optimal.	▶ Call up the battery's state of health. → page 7
Product does not start.	Only one charged battery inserted.	▶ Insert the second charged battery.
No hammering action.	The product is too cold.	▶ Bring the product into contact with the working surface, switch it on and allow it to idle. If necessary, repeat the procedure until the hammering mechanism begins to operate.
Product or battery gets very hot.	Electrical fault.	▶ Immediately switch off the product. Remove the batteries and keep them under observation. Allow them to cool down. Contact Hilti Service .
Product cuts out while in operation or does not start	Product/batteries too hot or batteries too cold.	▶ Switch off; allow the tool/batteries to cool down. ▶ Batteries too cold. Bring the batteries to the recommended working temperature.

11 Disposal



WARNING

Risk of injury due to incorrect disposal! Health hazards due to escaping gases or liquids.

- ▶ DO NOT send batteries through the mail!
- ▶ Cover the terminals with a non-conductive material (such as electrical tape) to prevent short circuiting.
- ▶ Dispose of your battery out of the reach of children.
- ▶ Dispose of the battery at your **Hilti Store**, or consult your local governmental garbage disposal or public health and safety resources for disposal instructions.



Most of the materials from which **Hilti** products are manufactured can be recycled. The materials must be correctly separated before they can be recycled. In many countries, your old tools, machines or appliances can be returned to **Hilti** for recycling. Ask **Hilti Service** or your Hilti sales representative for further information.



- ▶ Do not dispose of power tools, electronic equipment or batteries as household waste!

12 Manufacturer's warranty

- ▶ Please contact your local **Hilti** representative if you have questions about the warranty conditions.

13 Further information

For more information on operation, technology, environment and recycling, follow this link: qr.hilti.com/manual/?id=2301751&id=2301753

This link is also to be found at the end of the documentation, in the form of a QR code.



Mode d'emploi original

1 Indications relatives à la documentation

1.1 À propos de cette documentation

- Lire intégralement la présente documentation avant la mise en service. C'est la condition préalablement requise pour assurer la sécurité du travail et un maniement sans perturbations.
- Bien respecter les consignes de sécurité et les avertissements de la présente documentation ainsi que celles figurant sur le produit.
- Toujours conserver le mode d'emploi à proximité du produit et uniquement le transmettre à des tiers avec ce mode d'emploi.

1.2 Explication des symboles

1.2.1 Avertissements

Les avertissements attirent l'attention sur des dangers liés à l'utilisation du produit. Les termes de signalisation suivants sont utilisés :

 **DANGER**

DANGER !

- ▶ Pour un danger imminent qui peut entraîner de graves blessures corporelles ou la mort.

 **AVERTISSEMENT**

AVERTISSEMENT !

- ▶ Pour un danger potentiel qui peut entraîner de graves blessures corporelles ou la mort.







 **ATTENTION**

ATTENTION !

- ▶ Pour une situation potentiellement dangereuse pouvant entraîner des blessures corporelles ou des dégâts matériels.


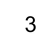


1.2.2 Symboles dans le manuel d'utilisation

Les symboles suivants sont utilisés dans le présent manuel d'utilisation :

	Respecter le manuel d'utilisation
	Pour des conseils d'utilisation et autres informations utiles
	Maniement des matériaux recyclables
	Ne pas jeter les appareils électriques et les accus dans les ordures ménagères
	Hilti Accu Li-Ion
	Hilti Chargeur

1.2.3 Symboles dans les illustrations

Les symboles suivants sont utilisés dans les illustrations :

	Ces chiffres renvoient à l'illustration correspondante au début du présent manuel d'utilisation.
	La numérotation détermine la séquence des étapes de travail dans l'image et peut se différencier de celles des étapes de travail dans le texte.
	Les numéros de position sont utilisés dans l'illustration Vue d'ensemble et renvoient aux numéros des légendes dans la section Vue d'ensemble du produit .
	Ce signe doit inviter à manier le produit en faisant particulièrement attention.



1.3 Symboles spécifiques au produit

1.3.1 Symboles sur le produit

Les symboles suivants peuvent être utilisés sur le produit :

	Transport par pont roulant ou grue interdit
	Le produit prend en charge la technologie NFC qui est compatible avec les plates-formes iOS et Android.
Li-Ion	Accu lithium-ions
	Ne jamais utiliser l'accu comme outil de percussion.
	Ne pas laisser tomber l'accu. Ne pas utiliser d'accu ayant subi un choc ou d'autres dommages.

1.4 Informations produit

Les produits **HILTI** sont destinés aux professionnels et ne doivent être utilisés, entretenus et réparés que par un personnel autorisé et formé. Ce personnel doit être spécialement instruit quant aux dangers inhérents à l'utilisation de l'appareil. Le produit et ses accessoires peuvent s'avérer dangereux s'ils sont utilisés de manière incorrecte par un personnel non qualifié ou de manière non conforme à l'usage prévu.

La désignation du modèle et le numéro de série figurent sur sa plaque signalétique.

- ▶ Inscrivez le numéro de série dans le tableau suivant. Les informations produit vous seront demandées lorsque vous contactez nos revendeurs ou services après-vente.

Caractéristiques produit

Burineur	TE 2000-22
Génération	01
N° de série	

1.5 Déclaration de conformité

Le fabricant déclare sous sa seule et unique responsabilité que le produit décrit ici est conforme aux directives et normes en vigueur. Une copie de la Déclaration de conformité se trouve en fin de la présente documentation.

Pour obtenir les documentations techniques, s'adresser à :

Hilti Entwicklungsgesellschaft mbH | Zulassung Geräte | Hiltistraße 6 | 86916 Kaufering, DE

2 Sécurité

2.1 Indications générales de sécurité pour les appareils électriques

⚠ AVERTISSEMENT Lire toutes les consignes de sécurité et instructions, illustrations et caractéristiques techniques, qui accompagnent cet outil électroportatif. Tout manquement à l'observation des instructions suivantes risque de provoquer une électrocution, un incendie et/ou de graves blessures.

Les consignes de sécurité et instructions doivent être intégralement conservées pour les utilisations futures.

La notion d'« outil électroportatif » mentionnée dans les consignes de sécurité se rapporte à des outils électriques raccordés au secteur (avec câble d'alimentation) et à des outils électriques sur accu (sans câble d'alimentation).

Sécurité sur le lieu de travail

- ▶ **Conserver la zone de travail propre et bien éclairée.** Un lieu de travail en désordre ou mal éclairé augmente le risque d'accidents.
- ▶ **Ne pas faire fonctionner les outils électriques en atmosphère explosive et où se trouvent des liquides, des gaz ou poussières inflammables.** Les outils électriques produisent des étincelles qui peuvent enflammer les poussières ou les fumées.
- ▶ **Maintenir les enfants et les personnes présentes à l'écart pendant l'utilisation de l'outil électroportatif.** En cas d'inattention il y a risque de perdre le contrôle de l'appareil.



Sécurité relative au système électrique

- ▶ **La fiche de secteur de l'outil électroportatif doit être adaptée à la prise de courant. Ne jamais modifier la fiche de quelque façon que ce soit. Ne pas utiliser d'adaptateurs avec des outils électriques à branchement de terre.** Des fiches non modifiées et des prises de courant adaptées réduiront le risque de choc électrique.
- ▶ **Éviter le contact physique avec des surfaces mises à la terre tels que tuyaux, radiateurs, cuisinières et réfrigérateurs.** Il y a un risque élevé de choc électrique au cas où votre corps serait relié à la terre.
- ▶ **Ne pas exposer les outils électroportatifs à la pluie ou à l'humidité.** La pénétration d'eau à l'intérieur d'un outil électroportatif augmentera le risque d'un choc électrique.
- ▶ **Ne jamais utiliser le câble de raccordement à d'autres fins que celles prévues, telles que pour porter, accrocher ou débrancher l'outil électroportatif de la prise de courant. Maintenir le câble de raccordement à l'écart de la chaleur, des parties grasses, des bords tranchants ou des parties en mouvement.** Des câbles de raccordement endommagés ou emmêlés augmentent le risque de choc électrique.
- ▶ **Si l'outil électroportatif est utilisé à l'extérieur, utiliser uniquement des câbles de rallonge homologués pour les applications extérieures.** L'utilisation d'un câble de rallonge homologué pour les applications extérieures réduit le risque d'un choc électrique.
- ▶ **Si l'utilisation de l'outil électrique dans un environnement humide ne peut pas être évitée, utiliser un interrupteur de protection contre les courants de court-circuit.** L'utilisation d'un tel interrupteur de protection réduit le risque d'une décharge électrique.

Sécurité des personnes

- ▶ **Rester vigilant, surveiller ce que l'on fait. Faire preuve de bon sens en utilisant l'outil électroportatif. Ne pas utiliser l'outil électroportatif en étant fatigué ou sous l'emprise de l'alcool, de drogues ou de médicaments.** Un moment d'inattention lors de l'utilisation de l'outil électroportatif peut entraîner des blessures graves.
- ▶ **Utiliser un équipement de protection personnel et toujours porter une protection pour les yeux.** Les équipements de protection personnels tels que masque antipoussière, chaussures de sécurité antidérapantes, casque de protection ou protection acoustique suivant l'utilisation de l'outil électroportatif, réduiront le risque de blessures des personnes.
- ▶ **Éviter une mise en service par mégarde. S'assurer que l'outil électroportatif est arrêté avant de le brancher à la source de courant et/ou à l'accu, de le prendre ou de le porter.** Le fait de porter l'outil électroportatif avec le doigt sur l'interrupteur ou de brancher l'appareil sur la source de courant lorsque l'interrupteur est en position de fonctionnement peut entraîner des accidents.
- ▶ **Retirer tout outil de réglage ou toute clé avant de mettre l'outil électroportatif en fonctionnement.** Une clé ou un outil se trouvant sur une partie en rotation peut causer des blessures.
- ▶ **Adopter une bonne posture. Veiller à toujours garder une position stable et équilibrée.** Cela permet un meilleur contrôle de l'outil électroportatif dans des situations inattendues.
- ▶ **S'habiller de manière adaptée. Ne pas porter de vêtements amples ni de bijoux. Garder les cheveux, les vêtements et les gants à distance des parties en mouvement.** Des vêtements amples, des bijoux ou des cheveux longs peuvent être happés par des parties en mouvement.
- ▶ **Si des dispositifs servant à aspirer ou à recueillir les poussières doivent être utilisés, s'assurer qu'ils sont effectivement raccordés et correctement utilisés.** L'utilisation d'un dispositif d'aspiration de la poussière peut réduire les risques dus aux poussières.
- ▶ **Ne pas sous-estimer les mesures de sécurité à prendre et ne pas ignorer sciemment les règles de sécurité applicables aux outils électriques, même si l'on est utilisateur chevronné après de fréquentes utilisations de l'outil électroportatif.** Un manque d'attention peut conduire à de graves blessures en quelques fractions de seconde.

Utilisation et maniement de l'outil électroportatif

- ▶ **Ne pas forcer l'appareil. Utiliser l'outil électroportatif adapté au travail à effectuer.** Un outil électroportatif approprié réalisera mieux le travail et de manière plus sûre au régime pour lequel il a été conçu.
- ▶ **Ne pas utiliser d'outil électroportatif dont l'interrupteur est défectueux.** Tout outil électroportatif qui ne peut plus être mis en ou hors fonctionnement est dangereux et doit être réparé.
- ▶ **Débrancher la fiche de la prise de courant et/ou l'accu amovible avant d'effectuer des réglages sur l'appareil, de changer les accessoires, ou de ranger l'appareil.** Cette mesure de précaution empêche une mise en fonctionnement par mégarde de l'outil électroportatif.
- ▶ **Conserver les outils électroportatifs non utilisés hors de portée des enfants. Ne permettre l'utilisation de l'appareil à aucune personne qui ne soit pas familiarisée avec celui-ci ou qui n'a pas lu ces instructions.** Les outils électroportatifs sont dangereux lorsqu'ils sont entre les mains de personnes non initiées.



- ▶ **Prendre soin des outils électroportatifs et des accessoires. Vérifier que les parties en mouvement fonctionnent correctement et qu'elles ne sont pas coincées, et contrôler si des parties sont cassées ou endommagées de sorte que le bon fonctionnement de l'outil électroportatif s'en trouve entravé. Faire réparer les parties endommagées avant d'utiliser l'appareil.** De nombreux accidents sont dus à des outils électroportatifs mal entretenus.
- ▶ **Garder les outils de coupe affûtés et propres.** Des outils destinés à couper correctement entretenus avec des arêtes de coupe tranchantes sont moins susceptibles de bloquer et sont plus faciles à contrôler.
- ▶ **L'outil électroportatif, les accessoires, les outils amovibles, etc. doivent être utilisés conformément à ces instructions. Tenir également compte des conditions de travail et du travail à réaliser.** L'utilisation des outils électroportatifs à d'autres fins que celles prévues peut entraîner des situations dangereuses.
- ▶ **Veiller à ce que les poignées et surfaces de préhension soient toujours être sèches, propres et exemptes de traces de graisse ou d'huile.** Avec des poignées et surfaces de préhension glissantes, la sécurité et le contrôle de l'outil électroportatif ne peuvent être assurés dans des situations inopinées.

Utilisation et manieement de l'outil sur accu

- ▶ **Ne charger les accus que dans des chargeurs recommandés par le fabricant.** Si un chargeur approprié à un type spécifique d'accu est utilisé avec des accus non recommandés pour celui-ci, il y a risque d'incendie.
- ▶ **Dans les outils électroportatifs, utiliser uniquement les accus spécialement prévus pour ceux-ci.** L'utilisation de tout autre accu peut entraîner des blessures et des risques d'incendie.
- ▶ **Tenir l'accu non utilisé à l'écart de tous objets métalliques tels qu'agrafes, pièces de monnaie, clés, clous, vis ou autres, étant donné qu'un pontage peut provoquer un court-circuit.** Un court-circuit entre les contacts d'accu peut provoquer des brûlures ou un incendie.
- ▶ **En cas d'utilisation abusive, du liquide peut sortir de l'accu. Éviter tout contact avec ce liquide. En cas de contact par mégarde, rincer soigneusement avec de l'eau. Au cas où le liquide rentrerait dans les yeux, consulter en plus un médecin.** Le liquide qui sort de l'accu peut entraîner des irritations de la peau ou causer des brûlures.
- ▶ **Ne pas utiliser d'accu endommagé ou modifié.** Des accus endommagés ou modifiés peuvent avoir un comportement imprévisible et provoquer un incendie, une explosion ou engendrer un risque de blessures.
- ▶ **Ne jamais exposer l'accu au feu ou à des températures trop élevées.** Le feu ou des températures supérieures à 130 °C (265 °F) peuvent provoquer une explosion.
- ▶ **Suivre toutes les instructions de charge et ne jamais charger l'accu ou l'outil sur accu hors de la plage de températures spécifiée dans le manuel d'utilisation.** Une charge inappropriée ou hors de la plage de températures spécifiée risque d'endommager l'accu et accroître le risque d'incendie.

Service

- ▶ **L'outil électroportatif doit uniquement être réparé par un personnel qualifié et seulement avec des pièces de rechange d'origine.** Ceci permet d'assurer la sécurité de l'appareil.
- ▶ **Ne jamais entretenir d'accus endommagés.** Toutes les opérations d'entretien sur des accus doivent exclusivement être réalisées par le fabricant ou un prestataire de service client agréé.

2.2 Indications générales de sécurité applicables aux burineurs

Consignes de sécurité pour tous les travaux

- ▶ **Porter un casque antibruit.** Le bruit peut entraîner des pertes auditives.
- ▶ **Utiliser la poignée supplémentaire livrée avec l'appareil.** La perte de contrôle peut entraîner des blessures.
- ▶ **Tenir l'appareil par les surfaces isolées des poignées lors des travaux pendant lesquels l'outil utilisé risque de toucher des câbles électriques cachés.** Le contact avec un câble sous tension risque de mettre les parties métalliques de l'appareil sous tension et de provoquer une décharge électrique.

2.3 Consignes de sécurité supplémentaires spécifiques au burineur

Sécurité des personnes

- ▶ Utiliser le produit et les accessoires uniquement s'ils sont en parfait état.
- ▶ Ne jamais entreprendre de manipulation ni de modification sur le produit ou les accessoires.
- ▶ Dans la mesure du possible, utiliser le chariot de transport ou d'autres moyens de transport. Si aucun chariot de transport ou autre moyen de transport n'est disponible, toujours transporter le produit à deux personnes. Tenir compte du poids considérable du produit avec chariot de transport.
- ▶ Lors du burinage de plafonds, de murs et de planchers, veiller à conserver une position sûre et stable. Une percée soudaine peut déséquilibrer l'opérateur !



- ▶ Lors de travaux d'ajourage, protéger l'espace du côté opposé aux travaux. Des morceaux de matériaux risquent d'être éjectés et / ou de tomber, et de blesser d'autres personnes.
- ▶ Pendant l'utilisation du produit, l'utilisateur et toute personne se trouvant à proximité doivent porter des lunettes de protection, un casque de protection, un casque antibruit et un masque respiratoire léger.
- ▶ La poussière générée par le meulage, le ponçage, le tronçonnage et le forage peut contenir des produits chimiques dangereux. Par exemple : plomb ou peinture à base de plomb ; brique, béton et autres produits de maçonnerie, pierre naturelle et autres produits contenant des silicates ; certains bois, tels que le chêne, le hêtre et le bois traité chimiquement ; amiante ou matériaux contenant de l'amiante. Déterminer l'exposition de l'opérateur et personnes se trouvant dans l'entourage en fonction de la classe de danger des matériaux traités. Prendre les mesures nécessaires pour maintenir l'exposition à un niveau sûr, par exemple en utilisant un système de collecte des poussières ou en portant une protection respiratoire appropriée. Mesures générales visant à réduire l'exposition :
 - ▶ Travailler dans un endroit bien ventilé
 - ▶ Éviter le contact prolongé avec la poussière
 - ▶ Faire en sorte que la poussière soit dirigée loin du visage et du corps
 - ▶ Porter des vêtements de protection et laver les zones exposées à l'eau et au savon
- ▶ Porter des gants de protection pour changer d'outil. Risque de blessures par coupure et de brûlures au contact avec l'outil amovible.
- ▶ Risque de blessures dues à la chute d'outils et/ou d'accessoires. Avant de commencer à travailler, contrôler si l'accu et l'accessoire monté sont solidement fixés.
- ▶ Gardez toujours les ouïes d'aération dégagées. Risque de brûlures si les ouïes d'aération sont couvertes !
- ▶ Porter des lunettes de protection. Les éclats de matière peuvent entraîner des blessures corporelles et aux yeux.
- ▶ Faire régulièrement des pauses et des exercices pour favoriser l'irrigation sanguine dans les doigts. En cas de travaux prolongés, les fortes vibrations peuvent perturber la circulation dans les vaisseaux sanguins ou le système nerveux dans les doigts, les mains ou le poignet.
- ▶ Toujours veiller à la stabilité du produit. Toujours poser le produit sur une surface plane, stable et exempte de vibrations et secousses.

Sécurité relative au système électrique

- ▶ Avant d'entamer le travail, vérifier qu'il n'y a pas de câbles ou gaines électriques, tuyaux de gaz ou d'eau cachés dans la zone d'intervention. Les parties métalliques externes du produit peuvent provoquer un choc électrique ou une explosion si vous endommagez une ligne électrique, une conduite de gaz ou une conduite d'eau.

Utilisation et emploi soigneux de l'outil électroportatif

- ▶ Attendre jusqu'à ce que l'outil électroportatif soit arrêté avant de le déposer.
- ▶ Seulement mettre le produit en marche lorsqu'il est dans la position de travail.

2.4 Utilisation et emploi soigneux des batteries

- ▶ **Respecter les consignes de sécurité suivantes relatives à la manipulation et à l'utilisation des accus Li-Ion.** Le non-respect de telles mesures risque de provoquer des irritations cutanées, des blessures graves corrosives, des brûlures chimiques, des incendies et/ou des explosions.
- ▶ Utiliser les accus uniquement dans un état techniquement impeccable.
- ▶ Traiter les accus avec soin pour éviter les endommagements et les fuites de liquides très nocifs pour la santé !
- ▶ Les accus ne doivent en aucun cas être modifiés ou manipulés !
- ▶ Les accus ne doivent pas être démontés, écrasés, chauffés à une température supérieure à 80 °C (176 °F) ou jetés au feu.
- ▶ Ne pas utiliser ni recharger d'accus ayant subi un choc ou ayant été endommagés de quel-qu'autre manière. Vérifier régulièrement l'absence de traces d'endommagement sur les accus.
- ▶ Ne jamais utiliser d'accus recyclés ou réparés.
- ▶ Ne jamais utiliser l'accu ni aucun outil électrique sans fil comme outil de percussion.
- ▶ Ne jamais exposer les accus à un rayonnement direct du soleil, des températures élevées, des étincelles ou des flammes nues. Il y a alors risque d'explosions.
- ▶ Ne jamais toucher les pôles avec les doigts, des outils, des bijoux ou tout autre objet métallique. Cela peut endommager l'accu et entraîner des dommages matériels et des blessures.
- ▶ Maintenir les accus à l'abri de la pluie, de l'humidité et des liquides. Toute pénétration d'humidité risque de provoquer un court-circuit, des chocs électriques, des brûlures, des incendies ou des explosions.



- ▶ Utiliser exclusivement les chargeurs et outils électriques prévus pour le type d'accu considéré. Respecter à ce sujet les indications du mode d'emploi correspondant.
- ▶ Ne pas utiliser ni stocker l'accu dans des environnements présentant des risques d'explosion.
- ▶ Si l'accu est trop chaud pour être touché, il est probablement défectueux. Placer l'accu dans un endroit bien visible, non inflammable et suffisamment éloigné de matériaux inflammables. Laisser l'accu refroidir. Si, après une heure, l'accu est toujours trop chaud pour être saisi, c'est qu'il est défectueux. Contacter le service après-vente **Hilti** ou consulter le document « Instructions de sécurité et d'utilisation pour les accus Li-Ion **Hilti** ».

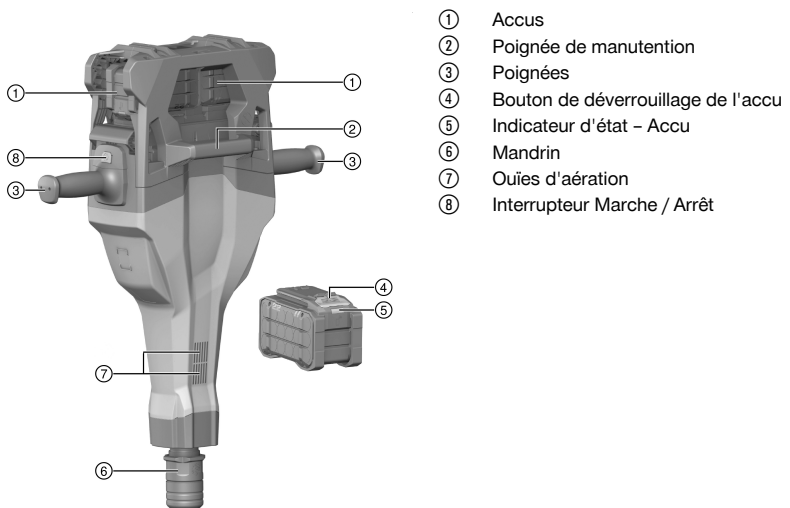


Respecter les directives spécifiques pour le transport, le stockage et l'utilisation d'accus Li-Ion.
→ Page 23

Lire les remarques relatives à la sécurité et à l'utilisation des accus Li-Ion **Hilti** que vous trouverez en scannant le code QR à la fin de ce mode d'emploi.

3 Description

3.1 Vue d'ensemble du produit 1



- ① Accus
- ② Poignée de manutention
- ③ Poignées
- ④ Bouton de déverrouillage de l'accu
- ⑤ Indicateur d'état - Accu
- ⑥ Mandrin
- ⑦ Oujes d'aération
- ⑧ Interrupteur Marche / Arrêt

3.2 Vue d'ensemble chariot de transport et coffret B22/C (XL) (en option) 2

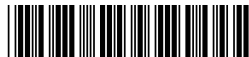
- ① Poignée
- ② Arrimage de la charge
- ③ Étrier de retenue
- ④ Verrouillage pour coffret de batterie B22/C (XL)
- ⑤ Support pour consommables (burin)
- ⑥ Roues
- ⑦ Fixation de sécurité de la roue (rondelle, goupille de retenue)
- ⑧ Mandrin porte-machine
- ⑨ Poignée de manutention
- ⑩ Accu
- ⑪ Chargeur
- ⑫ Coffret B22/C (XL)

3.3 Utilisation conforme à l'usage prévu

Le produit décrit est un burineur sans fil à guidage manuel. Il est destiné aux travaux de burinage dans le béton, la maçonnerie et l'asphalte. Il peut aussi être utilisé pour le pilonnage et le creusement.

Le produit doit uniquement être utilisé en direction du sol.

- Pour ce produit, utiliser exclusivement des accus Li-Ion **Hilti** Nuron de la série B 22. Pour une puissance optimale, **Hilti** recommande pour ce produit les accus indiqués dans le tableau à la fin de ce mode d'emploi.



- Pour ces accus, n'utiliser que des chargeurs **Hilti** des séries indiquées dans le tableau à la fin de ce mode d'emploi.

3.4 Utilisation incorrecte

- Le produit ne doit pas être utilisé pour des interventions en milieu humide.
- Ne pas utiliser le produit dans des endroits présentant un danger d'incendie et d'explosion.
- Ne pas travailler sur des matériaux susceptibles de nuire à la santé (par ex. amiante).
- Ne jamais transporter le produit à l'aide d'une grue.
- Ne pas travailler à partir d'une échelle.
- Ne pas utiliser le produit à l'horizontale par rapport au mur.
- Ne pas utiliser de longe porte-outil.

3.5 Active Vibration Reduction

Ce produit est équipé d'un système Active Vibration Reduction (AVR) qui réduit sensiblement les vibrations.

3.6 Éléments livrés

Burineur sans fil, mode d'emploi, graisse

Le chariot de transport et la valise pour les accus et le chargeur sont proposés en accessoires.

D'autres produits système pour votre produit peuvent être trouvés dans votre **Hilti Store** ou à l'adresse : www.hilti.group

3.7 Affichages de l'accu Li-Ion

Les accus Li-Ion **Hilti** Nuron peuvent afficher l'état de charge, les messages d'erreur et l'état de l'accu.

3.7.1 Affichages de l'état de charge et des messages d'erreur



AVERTISSEMENT

Risque de blessures en cas de chute de l'accu !

- ▶ Lorsque l'accu est inséré et après avoir appuyé sur la touche de déverrouillage, s'assurer que l'accu est correctement réenclenché dans le produit utilisé.

Pour consulter un des affichages suivants, appuyer brièvement sur la touche de déverrouillage de l'accu.

L'état de charge et les dysfonctionnements possibles sont affichés en permanence tant que le produit raccordé est allumé.

État	Signification
Quatre (4) DEL sont allumées en vert en continu	État de charge : de 100 % à 71 %
Trois (3) DEL sont allumées en vert en continu	État de charge : de 70 % à 51 %
Deux (2) DEL sont allumées en vert en continu	État de charge : de 50 % à 26 %
Une (1) DEL est allumée en vert en continu	État de charge : de 25 % à 10 %
Une (1) DEL clignote lentement en vert	État de charge : < 10 %
Une (1) DEL clignote rapidement en vert	L'accu Li-Ion est entièrement déchargé. Charger l'accu. Si la DEL continue de clignoter rapidement après la charge de l'accu, s'adresser au S.A.V. Hilti .
Une (1) DEL clignote rapidement en jaune	L'accu Li-Ion ou le produit correspondant est surchargé, trop chaud, trop froid ou il y a un autre défaut. Amener le produit et l'accu à la température de travail recommandée et ne pas surcharger le produit pendant son utilisation. Si le message ne disparaît pas, s'adresser au S.A.V. Hilti .



État	Signification
Une (1) DEL est allumée en jaune	L'accu Li-Ion ainsi que le produit connecté ne sont pas compatibles. Merci de s'adresser au S.A.V Hilti.
Une (1) DEL clignote rapidement en rouge	L'accu Li-Ion est verrouillé et ne peut plus être utilisé. Merci de s'adresser au S.A.V Hilti.

3.7.2 Affichages de l'état de l'accu

Pour consulter l'état de l'accu, maintenir la touche de déverrouillage enfoncée pendant plus de trois secondes. Le système ne détecte aucun dysfonctionnement potentiel de la batterie dû à une utilisation incorrecte, par ex. chute, piqûres, dommages externes dus à la chaleur, etc.

État	Signification
Toutes les DEL forment un chenillard, puis une (1) DEL est allumée en vert en continu.	L'accu peut continuer à être utilisé.
Toutes les DEL forment un chenillard, puis une (1) DEL clignote rapidement en jaune.	L'interrogation de l'état de l'accu n'a pas pu être terminée. Répéter la procédure ou s'adresser au S.A.V. Hilti.
Toutes les DEL forment un chenillard, puis une (1) DEL est allumée en rouge en continu.	Si un produit raccordé peut continuer à être utilisé, la capacité résiduelle de l'accu est inférieure à 50 %. Si un produit raccordé ne peut plus être utilisé, l'accu est arrivé à la fin de sa durée de vie et doit être remplacé. Merci de s'adresser au S.A.V Hilti.

4 Marteau burineur sans fil

	TE 2000-22
Poids selon EPTA Procedure 01 sans accu	17,4 kg
Énergie libérée par coup (EPTA-Procédur 05)	38,2 J
Température de service en cours de service	-17 °C ... 60 °C
Température de stockage	-20 °C ... 70 °C

4.1 Batterie

Tension nominale de l'accu	21,6 V
Poids de l'accu	Voir à la fin de ce mode d'emploi
Température de service en cours de service	-17 °C ... 60 °C
Température de stockage	-20 °C ... 40 °C
Température de l'accu au début de la charge	-10 °C ... 45 °C

4.2 Valeurs de bruit et de vibrations selon EN 62841

Les valeurs de pression acoustique et de vibrations mentionnées dans ces instructions ont été mesurées conformément à un procédé de mesure normalisé et peuvent être utilisées comme base de comparaison d'outils électroportatifs. Elles sont de plus adaptées à une évaluation préalable de l'exposition aux bruits et aux vibrations.

Les indications fournies correspondent aux principales applications de l'outil électroportatif. Ces données peuvent néanmoins différer si l'outil électroportatif est utilisé pour d'autres applications ou avec des outils coupants différents, ou bien si l'entretien s'avère insuffisant. Dans ce cas, les expositions peuvent augmenter nettement dans tout l'espace de travail.

Pour une évaluation précise des expositions, il convient également de prendre en compte les temps durant lesquels l'appareil est arrêté ou marche à vide. Cela peut réduire considérablement les contraintes d'exposition dans tout l'espace de travail.



Par ailleurs, il convient de prendre des mesures de sécurité supplémentaires en vue de protéger l'opérateur des effets du bruit ou des vibrations, par exemple : entretien de l'outil électroportatif et des outils de coupe, maintien des mains à bonne température, organisation des processus de travail.

Valeurs d'émissions acoustiques

Niveau de puissance acoustique mesuré (L_{WA})	98 dB(A)
Incertitude sur le niveau de puissance acoustique (K_{WA})	3 dB(A)
Niveau de pression acoustique d'émission (L_{pA})	87 dB(A)
Incertitude sur le niveau de pression acoustique (K_{pA})	3 dB(A)

Valeurs totales des vibrations

Burinage ($a_{h, Cheq}$)	B 22-170	3,8 m/s ²
	B 22-255	3,8 m/s ²
Incertitude (K)		1,5 m/s ²

5 Préparatifs

AVERTISSEMENT

Risque de blessures du fait d'une mise en marche inopinée !

- ▶ Avant d'insérer les accus, s'assurer que le produit correspondant est bien sur arrêt.
- ▶ Retirer les accus, avant d'effectuer des réglages sur l'appareil ou de changer les accessoires.

Bien respecter les consignes de sécurité et les avertissements de la présente documentation ainsi que celles figurant sur le produit.

5.1 Charge des accus

1. Avant de commencer la charge, lire le mode d'emploi du chargeur.
2. Veiller à ce que les contacts de l'accu et du chargeur sont propres et secs.
3. Charger l'accu à l'aide d'un chargeur homologué. → Page 18

5.2 Mise en place des accus

AVERTISSEMENT

Risque de blessures du fait d'un court-circuit ou de la chute de l'accu !

- ▶ Avant d'insérer l'accu dans l'appareil, s'assurer que les contacts des accus et les contacts sur le produit sont exempts de corps étrangers.
- ▶ S'assurer que les accus sont toujours bien enclenchés.

1. Les accus doivent être entièrement chargés avant la première mise en service.
2. Introduire les accus dans le produit jusqu'à ce qu'ils s'enclenchent de manière audible.
3. Vérifier que les accus sont bien en place.

5.3 Retrait de l'accu

1. Appuyer sur la touche de déverrouillage de l'accu.
2. Retirer l'accu hors du produit.

6 Utilisation

Bien respecter les consignes de sécurité et les avertissements de la présente documentation ainsi que celles figurant sur le produit.

6.1 Mise en place de l'outil amovible

1. Graisser légèrement l'emmanchement de l'outil amovible.



L'utilisation d'une graisse non appropriée peut engendrer des dommages sur le produit. **Utiliser exclusivement de la graisse d'origine de Hilti.**



2. Emmancher l'outil amovible à fond dans le porte-outil et le tourner en appuyant légèrement jusqu'à ce qu'il s'encliquette de manière audible.
3. Vérifier que l'outil est bien serré dans le dispositif de verrouillage en tirant dessus.

6.2 Retrait de l'outil amovible

ATTENTION

Risque de blessures ! L'outil amovible peut être brûlant et / ou présenter des arêtes vives.

- ▶ Porter des gants de protection pour changer d'outil amovible.
- ▶ Ne jamais déposer un outil amovible chaud sur un support inflammable.

1. Retirer le dispositif de verrouillage de l'outil jusqu'à la butée.
2. Retirer l'outil amovible.

6.3 Utilisation

Bien respecter les consignes de sécurité et les avertissements de la présente documentation ainsi que celles figurant sur le produit.

Faire confirmer l'ensemble des travaux par le maître d'œuvre !

6.3.1 Burinage

1. Mettre le burin dans la position souhaitée.
2. Appuyer sur l'interrupteur Marche / Arrêt.



Travaux à basses températures :

Le produit nécessite une température de service minimale pour que le mécanisme de frappe fonctionne. Pour l'atteindre, poser un instant le produit sur le matériau support et le laisser tourner à vide. Répéter cette étape, si nécessaire, jusqu'à ce que le mécanisme de frappe fonctionne.

6.3.2 Arrêt

- ▶ Appuyer sur l'interrupteur Marche / Arrêt.

6.3.3 Procédure de travail



Le burin peut être bloqué dans 6 positions différentes (tous les 60°). Ainsi, que ce soit pour le burinage plat ou profilé, il est toujours possible de travailler dans la position optimale.

- ▶ Poser le burin à environ 80 à 100 mm (3 1/8" - 4") du bord.
- ▶ En cas d'armatures métalliques, toujours guider le burin vers le bord du matériel, jamais contre les armatures métalliques.
- ▶ Débuter l'opération de burinage avec un angle de 90° par rapport à la surface du béton et orienter la pointe vers le bord. Redresser l'angle de 70° à 80° et enlever le matériau.
- ▶ Tourner le burin de manière régulière car une usure uniforme favorise le processus d'auto-affûtage.
- ▶ Si la pression d'appui est insuffisante, le burin risque de sortir de sa position. Si la pression d'appui est trop élevée, il y a diminution de la puissance de burinage.

7 Chariot de transport et coffret B22/C (XL)

7.1 Transport

Le chariot de transport permet de transporter sans danger le burineur.

Le coffret B22/C (XL) permet de transporter sans danger le chargeur et l'accu.

- Veiller à la stabilité du chariot de transport.
- Poser le produit sur le mandrin porte-machine prévu à cet effet et veiller à ce qu'il soit toujours bloqué à l'aide de l'étrier de retenue pendant le transport.
- Placer le coffret B22/C (XL) sur le chariot de transport et le sécuriser avec le verrouillage.
- Choisir un trajet de transport sûr.
- Ne pas disposer le chariot de transport sur une surface inclinée.



- Ne pas transporter le chariot de transport et le coffret B22/C (XL) avec une grue.
- Introduire le burin dans le support prévu à cet effet jusqu'à la position d'encliquetage.
- Choisir un trajet de transport sûr.
- Ne pas disposer le chariot de transport sur une surface inclinée.
- Ne pas transporter le chariot de transport et le coffret B22/C (XL) avec une grue.

8 Nettoyage et entretien



AVERTISSEMENT

Risque de blessures lorsque les accus sont en place !

- ▶ Avant les travaux d'entretien et de maintenance, toujours retirer les accus !

Entretien du produit

- Éliminer prudemment les saletés récalcitrantes.
- Le cas échéant, nettoyer les ouïes d'aération avec précaution au moyen d'une brosse sèche.
- Nettoyer le boîtier uniquement avec un chiffon légèrement humidifié. Ne pas utiliser de nettoyeurs à base de silicone, ceci pourrait attaquer les pièces en plastique.

Entretien des accus Li-ion

- Ne jamais utiliser une batterie dont les ouïes d'aération sont bouchées. Nettoyer soigneusement les ouïes d'aération à l'aide d'une brosse sèche et douce.
- Éviter d'exposer inutilement l'accu à la poussière ou à la saleté. Ne jamais exposer l'accu à une forte humidité (par exemple en l'immergeant dans de l'eau ou en le laissant sous la pluie).
Si l'accu a été trempé, le traiter comme un accu endommagé. L'isoler dans un récipient ininflammable et s'adresser au S.A.V. **Hilti**.

- Veiller à ce que l'accu soit toujours exempt de traces de graisse et d'huile. Ne pas laisser de la poussière ou de la saleté s'accumuler inutilement sur l'accu. Nettoyer l'accu avec une brosse sèche et douce ou un chiffon propre et sec.

Ne pas utiliser de nettoyeurs à base de silicone car ceci pourrait attaquer les pièces en plastique.

- Nettoyer le boîtier uniquement avec un chiffon légèrement humidifié. Ne pas utiliser de nettoyeurs à base de silicone, ceci pourrait attaquer les pièces en plastique.

Entretien

- Vérifier régulièrement qu'aucune pièce visible n'est endommagée et que les organes de commande sont parfaitement opérationnels.
- En cas d'endommagements et/ou de dysfonctionnements, ne pas utiliser le produit. Le faire immédiatement réparer par le S.A.V. **Hilti**.
- Après des travaux de nettoyage et d'entretien, vérifier si tous les équipements de protection sont bien en place et fonctionnent parfaitement.



Pour une utilisation en toute sécurité, utiliser uniquement des pièces de rechange et consommables d'origine. Vous trouverez les pièces de rechange, consommables et accessoires autorisés convenant pour votre produit dans le centre **Hilti Store** ou sous : www.hilti.group.

9 Transport et stockage des outils sur accu et des accus

Transport



ATTENTION

Mise en marche inopinée lors du transport !

- ▶ Toujours retirer les accus avant de transporter les produits !
- ▶ Retirer le ou les accus.
- ▶ Ne jamais transporter les accus en vrac. Pendant le transport, les accus doivent être protégés des vibrations et chocs excessifs, isolés de tout matériau conducteur ou autre accu, pour éviter qu'ils n'entrent en contact avec d'autres pôles de batterie et qu'ils provoquent un court-circuit. **Tenir compte des prescriptions locales pour le transport d'accus.**
- ▶ Ne pas envoyer les accus par la poste. S'adresser à un service d'expédition s'il faut envoyer des accus non endommagés.



- ▶ Contrôler l'état du produit et des accus avant chaque utilisation, ainsi qu'avant et après tout transport prolongé.

Stockage

AVERTISSEMENT

Endommagement involontaire du fait d'accus défectueux ou de chute d'accu !

- ▶ Toujours retirer les accus avant de stocker les produits !
- ▶ Stocker si possible le produit et les accus dans un endroit sec et frais. Respecter les valeurs limites de température indiquées dans les caractéristiques techniques.
- ▶ Ne pas stocker les accus sur le chargeur. Retirer toujours l'accu du chargeur après la charge.
- ▶ Ne jamais stocker les accus exposés au soleil, sur des sources de chaleur ou derrière des vitres.
- ▶ Stocker le produit et les accus à l'abri des enfants et des personnes non autorisées.
- ▶ Contrôler l'état du produit et des accus avant chaque utilisation, ainsi qu'avant et après tout stockage prolongé.

10 Aide au dépannage

Pour toutes les défaillances, tenir compte de l'indicateur d'état de charge et d'erreurs de l'accu. Voir le chapitre **Affichages de l'accu Li-Ion**.

En cas de défaillances non énumérées dans ce tableau ou auxquelles il n'est pas possible de remédier sans aide, contacter le S.A.V. Hilti.

Défaillance	Causes possibles	Solution
L'accu ne s'enclenche pas avec un clic audible.	Ergot d'encliquetage encrassé sur l'accu ou l'interface de l'appareil.	▶ Nettoyer les ergots d'encliquetage et ré-encliqueter les accus dans son logement.
L'accu se vide plus rapidement que d'habitude.	L'état de l'accu n'est pas optimal.	▶ Interroger l'état de l'accu. → Page 19
Le produit ne se met pas en marche.	Un seul accu chargé est en place.	▶ Mettre le second accu chargé en place.
Absence de percussion.	Le produit est trop froid.	▶ Poser le produit sur le matériau support et le laisser tourner à vide. Répéter si nécessaire jusqu'à ce que le mécanisme de frappe fonctionne.
Important dégagement de chaleur dans le produit ou l'accu.	Défaut électrique.	▶ Arrêter immédiatement le produit. Retirer les accus et les surveiller. Les laisser refroidir. Contacter le S.A.V. Hilti.
Le produit s'arrête en cours de fonctionnement ou ne se met pas en marche	Le produit/les accus sont trop chauds ou les accus sont trop froids.	▶ Arrêter l'appareil et laisser l'appareil/les accus. ▶ Les accus sont trop froids. Amener les accus à la température de travail recommandée.

11 Recyclage

AVERTISSEMENT

Risque de blessures en cas d'élimination incorrecte ! Émanations possibles de gaz et de liquides nocives pour la santé.

- ▶ Ne pas envoyer ni expédier d'accus endommagés !
- ▶ Recouvrir les raccordements avec un matériau non conducteur pour éviter tout court-circuit.
- ▶ Éliminer les accus en veillant à ce qu'ils soient hors de la portée des enfants.
- ▶ Éliminer l'accu en le déposant auprès du **Hilti Store** local ou s'adresser à l'entreprise de collecte des déchets compétente.



Les produits **Hilti** sont fabriqués pour une grande partie en matériaux recyclables. Le recyclage présuppose un tri adéquat des matériaux. **Hilti** reprend les appareils usagés dans de nombreux pays en vue de leur recyclage. Consulter le service clients **Hilti** ou un conseiller commercial.



- ▶ Ne pas jeter les appareils électriques, électroniques et accus dans les ordures ménagères !

12 Garantie constructeur

- ▶ En cas de questions sur les conditions de garantie, veuillez vous adresser à votre partenaire **Hilti** local.

13 Informations complémentaires

Des informations complémentaires concernant l'utilisation, la technique, l'environnement et le recyclage sont disponibles sous le lien ci-dessous : qr.hilti.com/manual/?id=2301751&id=2301753

Ce lien figure également à la fin de la documentation sous forme de code QR.

Original brugsanvisning

1 Oplysninger vedrørende dokumentationen

1.1 Vedrørende denne dokumentation

- Læs denne dokumentation igennem før ibrugtagning. Det er en forudsætning for sikkert arbejde og korrekt håndtering.
- Følg sikkerheds- og advarselshenvisningerne i denne dokumentation og på produktet.
- Opbevar altid brugsanvisningen sammen med produktet, og overdrag det kun til andre personer sammen med denne anvisning.

1.2 Tegnforklaring

1.2.1 Advarsler

Advarsler advarer mod farer ved håndtering af produktet. Følgende signalord anvendes:

FARE

FARE !

- ▶ Betegner en umiddelbart truende fare, der kan medføre alvorlige kvæstelser eller døden.

ADVARSEL

ADVARSEL !

- ▶ Står ved en potentielt truende fare, der kan medføre alvorlige kvæstelser eller døden.

FORSIGTIG

FORSIGTIG !

- ▶ Advarer om en potentielt farlig situation, der kan forårsage personskader eller materielle skader.

1.2.2 Symboler i brugsanvisningen

Der benyttes følgende symboler i denne brugsanvisning:

	Se brugsanvisningen
	Anvisninger for anvendelse og andre nyttige oplysninger
	Håndtering af genvindbare materialer



	Elektriske maskiner og batterier må ikke bortskaffes som almindeligt husholdningsaffald
	Hilti Lithium-ion-batteri
	Hilti Lader

1.2.3 Symboler i illustrationer

Følgende symboler anvendes på illustrationer:

	Disse tal henviser til den pågældende illustration i begyndelsen af denne brugsanvisning.
3	Nummereringen udtrykker arbejdsstrinernes rækkefølge på illustrationen og kan afvige fra arbejds-trinene i teksten.
	Positionnumre anvendes i illustrationen Oversigt og refererer til tallene i symbolforklaringen i afsnittet Produktoversigt .
	Dette symbol skal sikre skærpet opmærksomhed ved omgang med produktet.

1.3 Produktspecifikke symboler

1.3.1 Symboler på produktet

Følgende symboler kan forekomme på produktet:

	Må ikke transporteres med kran
	Produktet understøtter NFC-teknologi, som er kompatibel med iOS- og Android-platforme.
Li-Ion	Lithium-ion-batteri
	Brug aldrig batteriet som slagværktøj.
	Lad ikke batteriet falde på gulvet. Brug ikke et batteri, der har fået et slag eller på anden vis er beskadiget.

1.4 Produktoplysninger

-produkter er beregnet til professionel brug og må kun betjenes, efterses og vedligeholdes af autoriseret og instrueret personale. Dette personale skal i særdeleshed informeres om de potentielle farer, der er forbundet med anvendelsen af denne maskine. Der kan opstå farlige situationer ved anvendelse af produktet og det tilhørende udstyr, hvis det anvendes af personer, der ikke er blevet undervist i dens brug, eller hvis det ikke anvendes korrekt i henhold til forskrifterne i denne brugsanvisning.

Typebetegnelse og serienummer fremgår af typeskiltet.

- Notér serienummeret i den efterfølgende tabel. Du skal bruge produktoplysningerne ved henvendelser til vores lokale afdeling eller vores serviceværksted.

Produktoplysninger

Mejselhammer	TE 2000-22
Generation	01
Serienummer	

1.5 Overensstemmelseserklæring

Producenten erklærer som eneansvarlig, at det her beskrevne produkt er i overensstemmelse med gældende lovgivning og gældende standarder. Sidst i dette dokument finder du et billede af overensstemmelseserklæringen.

Den tekniske dokumentation er arkiveret her:

Hilti Entwicklungsgesellschaft mbH | Zulassung Geräte | Hiltistraße 6 | 86916 Kaufering, DE



2 Sikkerhed

2.1 Generelle sikkerhedsanvisninger for elværktøj

⚠ ADVARSEL Læs alle sikkerhedsanvisninger, henvisninger, billedtekster og tekniske data på elværktøjet. Hvis følgende anvisninger ikke overholdes, er der risiko for elektrisk stød, brand og/eller alvorlige personskader.

Opbevar alle sikkerhedsanvisninger og instruktioner til senere brug.

Det benyttede begreb "elværktøj" i sikkerhedsanvisningerne refererer til elektriske maskiner (med netledning) eller batteridrevne maskiner (uden netledning).

Arbejdspladssikkerhed

- ▶ **Sørg for at holde arbejdsområdet ryddeligt og godt oplyst.** Uorden eller uoplyste arbejdsområder øger faren for uheld.
- ▶ **Brug ikke elværktøj i eksplosionstruede omgivelser, hvor der er brændbare væsker, gasser eller støv.** Elværktøj kan slå gnister, der kan antænde støv eller dampe.
- ▶ **Sørg for, at andre personer og ikke mindst børn holdes væk fra arbejdsområdet, når elværktøjet er i brug.** Hvis man distraheres, kan man miste kontrollen over maskinen.

Elektrisk sikkerhed

- ▶ **Elværktøjets stik skal passe til kontakten. Stikket må under ingen omstændigheder ændres. Brug ikke adapterstik sammen med jordforbundne elværktøj.** Uændrede stik, der passer til kontakterne, nedsætter risikoen for elektrisk stød.
- ▶ **Undgå kropskontakt med jordforbundne overflader som f.eks. rør, radiatorer, komfurer og køleskabe.** Hvis din krop er jordforbundet, øges risikoen for elektrisk stød.
- ▶ **Elværktøj må ikke udsættes for regn eller fugt.** Indtrængning af vand i elværktøj øger risikoen for elektrisk stød.
- ▶ **Brug ikke ledningen til formål, den ikke er beregnet til (f.eks. må man aldrig bære elværktøjet i ledningen, hænge det op i ledningen eller rykke i ledningen for at trække stikket ud af kontakten).** Beskyt ledningen mod varme, olie, skarpe kanter eller dele, der er i bevægelse. Beskadigede eller sammenviklede ledninger øger risikoen for elektrisk stød.
- ▶ **Hvis elværktøjet benyttes i det fri, må der kun benyttes en forlængerledning, der er egnet til udendørs brug.** Brug af forlængerledning til udendørs brug nedsætter risikoen for elektrisk stød.
- ▶ **Hvis det ikke kan undgås at anvende elværktøjet i fugtige omgivelser, skal du anvende et fejlstrømsrelæ.** Anvendelsen af et fejlstrømsrelæ nedsætter risikoen for et elektrisk stød.

Personlig sikkerhed

- ▶ **Det er vigtigt at være opmærksom, se, hvad man laver, og bruge maskinen fornuftigt. Anvend aldrig elværktøj, hvis du er træt eller påvirket af stoffer, alkohol eller medicin.** Et øjeblik uopmærksomhed under brugen af elværktøjet kan medføre alvorlige personskader.
- ▶ **Brug beskyttelsesudstyr, og hav altid beskyttelsesbriller på.** Brug af sikkerhedsudstyr som f.eks. støvmaske, skridsikkert fodtøj, beskyttelseshjelm eller høreværn afhængigt af elværktøjets type og anvendelse nedsætter risikoen for personskader.
- ▶ **Undgå utilsigtet igangsætning. Kontrollér, at elværktøjet er frakoblet, før du slutter det til strømforsyningen og/eller batteriet, tager det op eller transporterer det.** Undgå at bære elværktøjet med fingeren på afbryderen, og sørg for, at det ikke er tændt, når det slutes til nettet, da dette øger risikoen for personskader.
- ▶ **Fjern indstillingsværktøj eller skruenøgler, inden elværktøjet tændes.** Hvis et stykke værktøj eller en nøgle sidder i en roterende maskindel, er der risiko for personskader.
- ▶ **Undgå at arbejde i unormale kropstillinger. Sørg for at stå sikkert, mens der arbejdes, og kom ikke ud af balance.** Det er derved nemmere at kontrollere elværktøjet, hvis der skulle opstå uventede situationer.
- ▶ **Brug egnet arbejdstøj. Undgå løse beklædningsgenstande eller smykker. Hold hår, tøj og handsker væk fra dele, der bevæger sig.** Dele, der er i bevægelse, kan gribe fat i løstsiddende tøj, smykker eller langt hår.
- ▶ **Hvis støvudsugnings- og opsamlingsudstyr kan monteres, er det vigtigt, at dette tilsluttes og benyttes korrekt.** Ved at anvende en støvudsugning er det muligt at nedsætte risiciene som følge af støv.
- ▶ **Man må ikke ignorere sikkerhedsreglerne for elværktøj, heller ikke selvom man er fortrolig med brugen af elværktøjet.** Uagtsomhed kan medføre alvorlig tilskadekomst inden for få sekunder.



Anvendelse og pleje af elværktøjet

- ▶ **Undgå at overbelaste maskinen. Brug altid en maskine, der er beregnet til det stykke arbejde, der skal udføres.** Med det rigtige værktøj arbejder man bedst og mest sikkert inden for det angivne effektområde.
- ▶ **Brug ikke elværktøj, hvis afbryderen er defekt.** En maskine, der ikke kan startes og stoppes, er farlig og skal repareres.
- ▶ **Træk stikket ud af stikkontakten, og/eller fjern batteriet fra maskinen, inden du foretager indstillinger på den, skifter tilbehør og dele eller lægger den til side.** Disse sikkerhedsforanstaltninger forhindrer utilsigtet start af elværktøjet.
- ▶ **Opbevar ubenyttede elværktøjer uden for børns rækkevidde. Lad aldrig personer, der ikke er fortrolige med maskinen eller ikke har gennemlæst sikkerhedsanvisningerne, benytte denne.** Elværktøj er farligt, hvis det benyttes af ukyndige personer.
- ▶ **Sørg for at pleje elværktøj omhyggeligt. Kontrollér, om bevægelige dele fungerer korrekt og ikke sidder fast, og om delene er brækket eller beskadiget, således at elværktøjets funktion påvirkes. Få beskadigede dele repareret, inden elværktøjet tages i brug.** Mange uheld skyldes dårligt vedligeholdte elværktøjer.
- ▶ **Sørg for, at skæreværktøjer er skarpe og rene.** Omhyggeligt vedligeholdte skæreværktøjer med skarpe skærekanter sætter sig ikke så hurtigt fast og er nemmere at føre.
- ▶ **Anvend elværktøj, tilbehør, indsatsværktøj osv. i overensstemmelse med disse anvisninger. Tag hensyn til arbejdsforholdene og det arbejde, der skal udføres.** I tilfælde af anvendelse af maskinen til formål, som ligger uden for det fastsatte anvendelsesområde, kan der opstå farlige situationer.
- ▶ **Sørg for, at greb og gribeflader er tørre, rene og fri for olie og fedt.** Glatte greb og gribeflader gør betjeningen usikker, og det kan være svært at styre elværktøjet i uforudsete situationer.

Anvendelse og pleje af batteridrevet elværktøj

- ▶ **Oplad kun batterier i ladere, der er anbefalet af fabrikanten.** Der er risiko for brand, hvis en lader, der er beregnet til et bestemt batteri, anvendes til opladning af en anden batteritype.
- ▶ **Brug kun de batterier, der er beregnet til elværktøjet.** Brug af andre batterier øger risikoen for personskader og er forbundet med brandfare.
- ▶ **Ikke benyttede batterier må ikke komme i berøring med kontorclips, mønter, nøgler, søm, skruer eller andre små metalgenstande, da disse kan kortslutte kontaktterne.** En kortslutning mellem batterikontaktterne øger risikoen for personskader i form af forbrændinger.
- ▶ **Hvis batteriet anvendes forkert, kan der løbe væske ud af batteriet. Undgå at komme i kontakt med denne væske. Hvis det alligevel skulle ske, skylles med vand. Søg læge, hvis væsken kommer i øjnene.** Batterivæske kan give hudirritation eller forbrændinger.
- ▶ **Brug aldrig et beskadiget eller ændret batteri.** Beskadigede eller ændrede batterier kan virke utilsigtet og medføre brand, eksplosion eller risiko for tilskadekomst.
- ▶ **Batterier må ikke udsættes for åben ild eller høje temperaturer.** Ild eller temperaturer over 130 °C (265 °F) kan medføre eksplosion.
- ▶ **Følg alle anvisninger vedrørende opladning, og oplad aldrig batteriet eller det batteridrevne værktøj uden for det tilladte temperaturområde, der er anført i betjeningsvejledningen.** Forkert opladning eller opladning uden for det tilladte temperaturområde kan ødelægge batteriet og øge risikoen for brand.

Service

- ▶ **Sørg for, at elværktøjet kun repareres af kvalificerede fagfolk, og at der altid benyttes originale reservedele.** Dermed sikres størst mulig elværktøjssikkerhed.
- ▶ **Forsøg aldrig at reparere beskadigede batterier.** Al vedligeholdelse af batterier skal foretages af producenten eller af autoriserede forhandlere.

2.2 Sikkerhedsanvisninger til hamre

Sikkerhedsanvisninger for alle opgaver

- ▶ **Brug høreværn.** Støjpåvirkningen kan medføre høretab.
- ▶ **Brug de ekstrahåndgreb, som følger med maskinen.** Hvis du mister kontrollen, kan det medføre personskader.
- ▶ **Hold maskinen på de isolerede grebsflader, når du udfører opgaver, hvor indsatsværktøjet kan ramme skjulte strømledninger.** Ved kontakt med en spændingsførende ledning kan også metalliske værktøjsdele sættes under spænding, hvilket kan medføre elektrisk stød.



2.3 Yderligere sikkerhedsanvisninger, mejselhammer

Personlig sikkerhed

- ▶ Anvend kun produktet og tilbehør i teknisk fejlfri stand.
- ▶ Foretag aldrig manipulationer eller ændringer på produkt eller tilbehør.
- ▶ Anvend om muligt transportvognen eller andre transportmidler. Produktet skal altid bæres af to personer, hvis der ikke er adgang til en transportvogn eller andre transportmidler. Vær opmærksom på, at produktet plus transportvognen har en betragtelig vægt.
- ▶ Ved mejsling af lofter, vægge og gulve er det vigtigt at stå sikkert og stabilt. Hvis værktøjet pludselig går igennem, kan du miste balancen!
- ▶ Ved gennembrydningsarbejde skal du huske at sikre området på den modsatte side. Nedbrydningsdele kan falde ud og/eller ned og volde skade på andre personer.
- ▶ Sørg for, at du selv og personer, som opholder sig i nærheden under brugen af produktet, anvender øjenværn, sikkerhedshjelm, høreværn og et let åndedrætsværn.
- ▶ Støv, der dannes ved slibning, skæring og boring, kan indeholde farlige kemikalier. Nogle eksempler er: Bly eller maling på blybasis; Tegl, beton og andre murværksprodukter, natursten og andre silikatholdige produkter; Bestemte træsorter som eg, bøg og kemisk behandlet træ; Asbest eller asbestholdige materialer. Bestem eksponeringen for brugeren og omkringstående personer ved hjælp af fareklassen for de materialer, der arbejdes på. Træf de nødvendige foranstaltninger for at holde eksponeringen på et sikkert niveau, f.eks. ved at bruge et støvopsamlingsystem eller brug af et passende åndedrætsværn. Generelle foranstaltninger til at reducere eksponeringen omfatter bl.a.:
 - ▶ Arbejde i et godt ventileret område,
 - ▶ Undgå længere tids kontakt med støv,
 - ▶ Lede støv bort fra ansigt og krop,
 - ▶ Brug beskyttende beklædning og vaske eksponerede områder med vand og sæbe.
- ▶ Brug beskyttelseshandsker, når du skifter værktøj. Berøring af indsatsværktøjet kan medføre snitsår og forbrændinger.
- ▶ Fare for personskader på grund af værktøj og/eller tilbehør, som falder på jorden. Kontrollér før arbejdets begyndelse, at batteriet og det monterede tilbehør er sikkert fastgjort.
- ▶ Hold altid ventilationsåbningerne fri. Fare for forbrændinger på grund af tildækkede ventilationsåbninger!
- ▶ Brug øjenværn. Splinterne fra materialet kan medføre skader på legeme og øjne.
- ▶ Hold hyppigt pauser, og lav øvelser, så fingrene får bedre blodgennemstrømning. Ved længerevarende arbejde kan vibrationer medføre forstyrrelser af fingrenes, hændernes eller håndleddenes blodkar og nervesystem.
- ▶ Sørg altid for, at produktet står sikkert. Placer altid produktet på et jævnt, stabilt, vibrations- og rystelsesfrit underlag.

Elektrisk sikkerhed

- ▶ Kontrollér før påbegyndelse af arbejdet arbejdsområdet for skjulte elektriske ledninger, gas- og vandrør, f.eks. med en metaldetektor. Udvendige metaldele på produktet kan medføre elektrisk stød eller forårsage en eksplosion, hvis r du beskædiger en elledning, et gasrør eller et vandrør.

Omhyggelig omgang med og brug af elværktøj

- ▶ Vent, indtil elværktøjet er standset helt, før du lægger det fra dig.
- ▶ Tænd først produktet, når det er i arbejdsposition.

2.4 Omhyggelig omgang med og brug af batterier

- ▶ **Overhold følgende sikkerhedsforanstaltninger for sikker håndtering og brug af Li-ion-batterier.** I modsat fald kan det medføre hudirritation, alvorlige ætsningsskader, kemiske forbrændinger, brand og/eller eksplosion.
 - ▶ Anvend kun batterier i teknisk fejlfri stand.
 - ▶ Batterier skal behandles forsigtigt for at undgå beskadigelser og udslip af meget sundhedsskadelige væsker!
 - ▶ Batterier må under ingen omstændigheder modificeres eller manipuleres!
 - ▶ Batterierne må ikke adskilles, klemmes, opvarmes til over 80 °C eller brændes.
 - ▶ Anvend og oplad ikke batterier, som har fået stød eller på anden vis er blevet beskadiget. Kontrollér regelmæssigt dine batterier for tegn på skader.
 - ▶ Anvend aldrig genbrugte eller reparerede batterier.
 - ▶ Anvend aldrig batteriet eller et batteridrevet elværktøj som slagværktøj.



- ▶ Udsæt aldrig batterier for direkte solstråling, høj temperatur, gnister eller åben ild. Det kan medføre eksplosion.
- ▶ Berør ikke batteripolerne med dine fingre, værktøj, smykker eller andre elektrisk ledende genstande. Det kan beskadige batteriet og medføre personskader og materielle skader.
- ▶ Hold batterier på sikker afstand af regn, fugt og væsker. Indtrængende fugt kan medføre kortslutninger, elektrisk stød, forbrændinger, brand og eksplosion.
- ▶ Brug kun ladere og elværktøj, der er beregnet til denne batteritype. Overhold i den forbindelse oplysningerne i de tilhørende brugsanvisninger.
- ▶ Anvend og opbevar ikke batteriet i eksplosionsfarlige omgivelser.
- ▶ Hvis batteriet er for varmt til at kunne røres, kan det være defekt. Anbring batteriet på et overskueligt, ikke-brændbart sted med tilstrækkelig afstand til brændbare materialer. Lad batteriet køle af. Hvis batteriet efter en time fortsat er for varmt til at kunne røres, er det er defekt. Kontakt **Hilti** Service eller læs dokumentet "Anvisninger om sikkerhed og anvendelse af **Hilti** Li-ion-batterier".

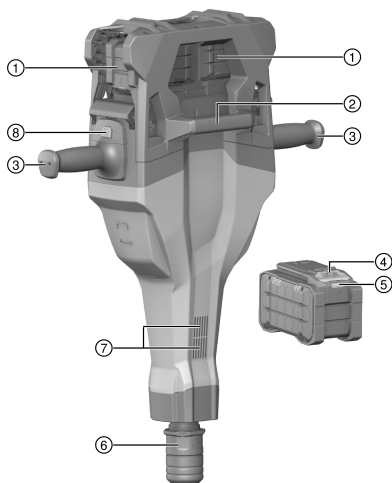


Vær opmærksom på de særlige retningslinjer, der gælder for transport, opbevaring og brug af Li-ion-batterier. → Side 35

Læs anvisningerne vedrørende sikkerhed og anvendelse til **Hilti** Li-ion-batterier, som du kan finde ved at scanne QR-koden sidst i denne brugsanvisning.

3 Beskrivelse

3.1 Produktoversigt



- ① Batterier
- ② Bæregreb
- ③ Håndgreb
- ④ Batterifrigørelsesknap
- ⑤ Statusindikator for batteri
- ⑥ Værktøjsholder
- ⑦ Ventilationsåbninger
- ⑧ Tænd/sluk-knap

3.2 Oversigt over transportvogn og kuffert B22/C (XL) (ekstratilbehør)

- ① Håndtag
- ② Lastsikring
- ③ Låsebojle
- ④ Låsemekanisme til batterikuffert B22/C (XL)
- ⑤ Holder til forbrugsmateriale (mejsel)
- ⑥ Hjul
- ⑦ Hjulsikring (skive, split)
- ⑧ Holdedorn
- ⑨ Bæregreb
- ⑩ Batteri
- ⑪ Lader
- ⑫ Kuffert B22/C (XL)

3.3 Tilsigtet anvendelse

Det beskrevne produkt er en håndført batteridrevet mejselhammer. Den er beregnet til mejsling i beton, murværk og asfalt. Den kan også bruges til stampning og gravning.

Produktet må kun anvendes i retning mod jorden.



- Brug kun **Hilti** Nuron Li-ion-batterier fra B 22-serien til dette produkt. Af hensyn til en optimal effekt anbefaler **Hilti** at bruge de batterier, der fremgår af tabellen i slutningen af denne brugsanvisning, til dette produkt.
- Anvend kun **Hilti**-ladere fra de serier, der fremgår af tabellen i slutningen af denne brugsanvisning, til disse batterier.

3.4 Forkert anvendelse

- Produktet må ikke anvendes til opgaver i fugtige miljøer.
- Brug ikke produktet, hvis der er risiko for brand og eksplosion.
- Det er ikke tilladt at bearbejde sundhedsfarlige materialer, f.eks. asbest.
- Produktet må ikke transporteres med en kran.
- Arbejd ikke stående på en stige.
- Produktet må ikke anvendes i vandret arbejdsretning i forhold til væggen.
- Anvend ikke værktøjsholdewirer.

3.5 Active Vibration Reduction

Produktet er udstyret med et Active Vibration Reduction (AVR)-system, som reducerer vibrationsniveauet markant.

3.6 Leveringsomfang

Batteridrevet mejselhammer, brugsanvisning, fedt

Transportvognen og kufferten til batteriet og laderen fås som tilbehør.

Andre systemprodukter, som er godkendt til dit produkt, finder du i **Hilti Store** eller på: **www.hilti.group**

3.7 Li-ion-batteriets indikatorer

Hilti Nuron Li-ion-batterier kan vise ladetilstand, fejlmeddelelser og batteriets tilstand.

3.7.1 Visning af ladetilstand og fejlmeddelelser

ADVARSEL

Fare for personskader på grund af batteri, der falder på gulvet!

- ▶ Sørg for, at du ved isat batteri efter tryk på frigøringsknappen bringer batteriet korrekt i indgreb igen i det anvendte produkt.

For at få en af følgende visninger skal du trykke kort på batteriets frigøringsknop.

Ladetilstanden og evt. fejl vises også konstant, så længe det tilsluttede produkt er tændt.

Tilstand	Betydning
Fire (4) LED'er lyser konstant grønt	Ladetilstand: 100 % til 71 %
Tre (3) LED 'er lyser konstant grønt	Ladetilstand: 70 % til 51 %
To (2) LED 'er lyser konstant grønt	Ladetilstand: 50 % til 26 %
En (1) LED lyser konstant grønt	Ladetilstand: 25 % til 10 %
En (1) LED blinker langsomt grønt	Ladetilstand: < 10 %
En (1) LED blinker hurtigt grønt	Li-ion-batteriet er helt afladet. Oplad batteriet. Hvis LED'en stadig blinker hurtigt efter opladning af batteriet, bedes du kontakte HiltiService .
En (1) LED blinker hurtigt gult	Li-ion-batterier eller det dermed forbundne produkt er overbelastet, er for varmt, for koldt, eller der foreligger en anden fejl. Bring produktet og batteriet op på den anbefalede arbejdsstemperatur, og overbelast ikke produktet under anvendelsen. Hvis meddelelsen stadig vises, bedes du kontakte HiltiService .



Tilstand	Betydning
En (1) LED lyser gult	Li-ion-batteriet og det dermed forbundne produkt er ikke kompatible. Kontakt Hilti Service .
En (1) LED blinker hurtigt rødt	Li-ion-batteriet er låst og kan ikke længere anvendes. Kontakt Hilti Service .

3.7.2 Visning om batteriets tilstand

Hvis du ønsker at aflæse batteriets tilstand, skal du holde frigøringsknappen inde i mere end tre sekunder. Systemet registrerer ingen potentielle funktionsfejl for batteriet som følge af misbrug som f.eks. nedstyrning, perforeringer, eksterne varmeskader osv.

Tilstand	Betydning
Alle lysdioder lyser som løbelys, og derefter lyser én (1) lysdiode grønt.	Batteriet kan fortsat benyttes.
Alle lysdioder lyser som løbelys, og derefter blinker én (1) lysdiode hurtigt gult.	Forespørgslen om batteriets tilstand kunne ikke afsluttes. Gentag proceduren, eller kontakt Hilti Service .
Alle lysdioder lyser som løbelys, og derefter lyser én (1) lysdiode rødt.	Hvis et tilsluttet produktet fortsat kan benyttes, er den resterende batterikapacitet under 50%. Hvis et tilsluttet produktet ikke længere kan benyttes, er batteriet ved slutningen af sin levetid og skal udskiftes. Kontakt Hilti Service .

4 Batteridrevet mejselhammer

	TE 2000-22
Vægt i henhold til EPTA Procedure 01 uden batteri	17,4 kg
Enkeltslagsenergi (EPTA-Procedure 05)	38,2 J
Omgivende temperatur under drift	-17 °C ... 60 °C
Opbevaringstemperatur	-20 °C ... 70 °C

4.1 Batteri

Batteriets driftsspænding	21,6 V
Vægt, batteri	Se bagest i denne brugsanvisning
Omgivende temperatur under drift	-17 °C ... 60 °C
Opbevaringstemperatur	-20 °C ... 40 °C
Batteriets temperatur ved start af ladning	-10 °C ... 45 °C

4.2 Støjinformation og vibrationsværdier iht. EN 62841

Lydtryk- og vibrationsværdier i denne brugsanvisning er målt i henhold til en standardiseret målemetode og kan anvendes til sammenligning af forskellige elværktøjer. De kan også anvendes til en foreløbig vurdering af den eksponering, brugeren udsættes for.

De anførte data repræsenterer elværktøjets primære anvendelsesformål. Hvis elværktøjet imidlertid anvendes til andre formål, med andre indsatsværktøjer eller utilstrækkelig vedligeholdelse, kan dataene afvige. Dette kan forøge den eksponering, som brugeren udsættes for, i hele arbejdstiden markant.

For at opnå en præcis vurdering af den eksponering, som brugeren udsættes for, bør også den tid, hvor maskinen er slukket eller blot kører uden at blive anvendt, inddrages. Dette kan reducere den eksponering, som brugeren udsættes for, i hele arbejdstiden markant.

Fastlæg yderligere sikkerhedsforanstaltninger til beskyttelse af brugeren mod støj- og/eller vibrationspåvirkninger, f.eks. er det vigtigt at vedligeholde elværktøj og indsatsværktøj, at holde hænderne varme og at organisere arbejdsprocesserne.



Støjinformation

Målt lydeffektniveau (L_{WA})	98 dB(A)
Usikkerhed, lydeffektniveau (K_{WA})	3 dB(A)
Lydtrykniveau (L_{pA})	87 dB(A)
Usikkerhed, lydtrykniveau (K_{pA})	3 dB(A)

Samlede vibrationsværdier

Mejsling ($a_{h, Cheq}$)	B 22-170	3,8 m/s ²
	B 22-255	3,8 m/s ²
Usikkerhed (K)		1,5 m/s ²

5 Forberedelse af arbejdet

ADVARSEL

Fare for personskader på grund af utilsigtet start!

- ▶ Før isætning af batterierne skal du kontrollere, at det tilhørende produkt er slukket.
- ▶ Fjern batterierne fra maskinen, inden du foretager indstillinger eller skifter tilbehørsdele på den.

Følg sikkerheds- og advarselshenvisningerne i denne dokumentation og på produktet.

5.1 Opladning af batterier

1. Læs brugsanvisningen til laderen før opladning.
2. Vær opmærksom på, at kontakterne på batteriet og laderen er rene og tørre.
3. Oplad batteriet i en godkendt lader. → Side 30

5.2 Isætning af batterier

ADVARSEL

Fare for personskader på grund af kortslutning eller batteri, der falder på gulvet!

- ▶ Før isætning af batterierne skal du kontrollere, at batteriernes kontakter og kontakterne på produktet er fri for fremmedlegemer.
- ▶ Kontrollér, at batterierne altid går korrekt i indgreb.

1. Oplad batterierne helt op før første ibrugtagning.
2. Skub batterierne ind i produktet, indtil de går hørbart i indgreb.
3. Kontrollér, at batterierne er sat korrekt i.

5.3 Fjernelse af batteri

1. Tryk på batteriets frigøringsknap.
2. Træk batteriet ud af produktet.

6 Betjening

Følg sikkerheds- og advarselshenvisningerne i denne dokumentation og på produktet.

6.1 Isætning af indsatsværktøj

1. Smør indsatsværktøjets indstiksende med et tyndt lag fedt.



Hvis der anvendes en feddtype, som ikke egner sig, kan det medføre skader på produktet. **Anvend kun originalt fedt fra Hilti.**

2. Stik indsatsværktøjet ind i værktøjsholderen, og drej det, mens du forsigtigt trykker det ind, indtil det går i indgreb.
3. Kontrollér, at værktøjet sidder sikkert fast ved at trække i det.



6.2 Udtagning af indsatsværktøj 4

FORSIGTIG

Fare for personskader! Indsatsværktøjet kan være meget varmt og/eller have skarpe kanter.

- ▶ Brug beskyttelseshandsker ved skift af indsatsværktøjet.
- ▶ Læg aldrig et meget varmt indsatsværktøj på et brændbart underlag.

1. Træk værktøjslåsen tilbage indtil anslag.
2. Tag indsatsværktøjet ud.

6.3 Betjening

Følg sikkerhedsforskrifterne og advarslerne i dette dokument og på produktet. Sørg for at få byggeledelsens fulde tilladelse til arbejdet!

6.3.1 Mejsling

1. Sæt mejslen i den ønskede position.
2. Tryk på afbryderen.



Arbejde ved lave temperaturer:

Produktets slagmekanisme kan kun arbejde over en bestemt minimumtemperatur. For at opnå denne skal du kortvarigt sætte produktet på underlaget og lade den køre i tomgang. Gentag om nødvendigt dette, indtil slagmekanismen fungerer.

6.3.2 Frakobling

- ▶ Tryk på afbryderen.

6.3.3 Arbejdsanvisninger 5



Mejslen kan indstilles i 6 forskellige positioner (i trin på 60°). Dette gør, at man med flad- og formmejsler altid kan arbejde i den korrekte arbejdsstilling.

- ▶ Sæt mejslen på ca. 80-100 mm (3 1/8" - 4") fra kanten.
- ▶ Ved armeringsjern skal du altid føre mejslen hen imod kanten af materialet, ikke hen imod armeringsjernet.
- ▶ Begynd mejselopgaven i en vinkel på 90° i forhold til betonoverfladen, og ret spidsen hen imod kanten. Blevæg derefter vinklen i retning af 70° til 80°, og bryd materialet løs.
- ▶ Drej regelmæssigt mejslen, da en ensartet slitage understøtter selvslibningsprocessen.
- ▶ Hvis du ikke trykker hårdt nok, hopper mejslen. Hvis du trykker for hårdt, nedsættes mejsleeffekten.

7 Transportvogn og kuffert B22/C (XL)

7.1 Transport

Transportvognen sikrer en risikofri transport af mejselhammeren.

Kufferten B22/C (XL) sikrer risikofri transport af lader og batteri.

- Sørg for, at transportvognen står på et stabilt underlag.
- Sæt produktet på den dertil beregnede maskinholdedorn, og fastgør det altid med låsebøjlen under transporten.
- Sæt kufferten B22/C (XL) på transportvognen, og fastgør den med låsemekanismen.
- Vælg sikre transportveje.
- Stil ikke transportvognen på skrånende underlag.
- Transportér ikke transportvognen og kufferten B22/C (XL) med en kran.
- Stik mejslen i den dertil beregnede holder, indtil den går i indgreb.
- Vælg sikre transportveje.
- Stil ikke transportvognen på skrånende underlag.
- Transportér ikke transportvognen og kufferten B22/C (XL) med en kran.



8 Rengøring og vedligeholdelse

ADVARSEL

Fare for personskader med isatte batterier !

- ▶ Fjern altid batterierne før pleje- og vedligeholdelsesarbejder!

Pleje af produktet

- Fjern forsigtigt fastsiddende snavs.
- Rengør evt. ventilationsåbninger forsigtigt med en tør børste.
- Rengør kun kabinettet med en let fugtet klud. Undlad at anvende silikoneholdige plejemidler, da de kan angribe plastdelene.

Pleje af Li-ion-batterier

- Anvend aldrig et batteri, hvis ventilationsåbningerne er tilstoppede. Rengør forsigtigt ventilationsåbningerne med en tør, blød børste.
- Undgå, at batteriet unødigt udsættes for støv og snavs. Udsæt aldrig batteriet for høj fugtighed (f.eks. dyppe det i vand eller lade det stå ude i regnvejrr). Hvis et batteri er blevet gennemvådt, skal det behandles som et beskadiget batteri. Isolér det i en ikke-brændbar beholder, og kontakt **Hilti Service**.
- Hold batteriet frit for olie og fedt. Lad ikke unødigt støv og snavs samle sig på batteriet. Rengør batteriet med en tør, blød børste eller en ren, tør klud. Brug ikke silikoneholdige plejemidler, da de kan angribe plastdelene.
- Rengør kun kabinettet med en let fugtet klud. Undlad at anvende silikoneholdige plejemidler, da de kan angribe plastdelene.

Vedligeholdelse

- Kontrollér regelmæssigt alle synlige dele for skader, og at betjeningselementerne fungerer fejlfrit.
- Anvend ikke produktet i tilfælde af beskadigelse og/eller funktionsfejl. Få omgående udført reparation hos **Hilti Service**.
- Monter alle beskyttelsesanordninger efter pleje- og vedligeholdelsesarbejder, og kontrollér dem for funktion.



Anvend kun originale reservedele og forbrugsmaterialer af hensyn til en sikker drift. Reservedele, forbrugsmaterialer og tilbehør til dit produkt, som vi har godkendt, finder du i dit **Hilti Store Center** eller under: www.hilti.group.

9 Transport og opbevaring af batteridrevet værktøj og batterier

Transport

FORSIGTIG

Utilsigtet start ved transport !

- ▶ Transportér altid dine produkter uden isat batteri!
- ▶ Tag batteriet/batterierne af.
- ▶ Transportér aldrig batterier liggende løst og ubeskyttet. Under transporten bør batterierne beskyttes mod hårde slag og vibrationer og isoleres fra enhver form for ledende materialer eller andre batterier, så de ikke kommer i kontakt med andre batteripoler og forårsager en kortslutning. **Overhold de lokale transportforskrifter for batterier.**
- ▶ Batterier må ikke sendes med posten. Henvend dig til et transportfirma, hvis du ønsker at sende ubeskadigede batterier.
- ▶ Kontrollér produktet og batterierne for skader hver gang før brug og før og efter længere transport.

Opbevaring

ADVARSEL

Utilsigtet beskadigelse på grund af defekte eller utætte batterier !

- ▶ Opbevar altid dine produkter uden isat batteri!
- ▶ Opbevar produkt og batterier køligt og tørt. Overhold de temperaturgrænser, der fremgår af de tekniske data.
- ▶ Opbevar ikke batterier i laderen. Tag batteriet ud af laderen, når opladningen er gennemført.
- ▶ Opbevar aldrig batterier i direkte sollys, på varmekilder eller i et vindue.



- ▶ Opbevar produkt og batterier utilgængeligt for børn og uvedkommende personer.
- ▶ Kontrollér produktet og batterierne for skader hver gang før brug og før og efter længere tids opbevaring.

10 Fejlafhjælpning

Vær opmærksom på batteriets ladetilstand- og fejlindikator ved alle fejl. Se kapitlet **Li-ion-batteriets indikatorer**.

Ved fejl, som ikke fremgår af denne tabel, eller som du ikke selv kan afhjælpne, beder vi dig om at kontakte **Hilti Service**.

Fejl	Mulig årsag	Løsning
Batteriet går ikke i indgreb med et hørbart klik.	Holdetappen på batteriet eller maskingrænsefladen er snavset.	▶ Rengør holdetapperne, og isæt batterierne igen.
Batteriet aflades hurtigere end normalt.	Batteritilstanden er ikke optimal.	▶ Aflæs batteriets tilstand. → Side 31
Produktet starter ikke.	Der er kun isat et opladet batteri.	▶ Isæt det andet opladte batteri.
Ingen slagfunktion.	Produktet er for koldt.	▶ Sæt produktet på underlaget, og lad det køre i tomgang. Gentag om nødvendigt proceduren, indtil slagmekanismen arbejder.
Kraftig varmeudvikling i produkt eller batteri.	Elektrisk defekt.	▶ Sluk omgående produktet. Tag batterierne ud, og hold øje med dem. Lad dem køle af. Kontakt Hilti Service .
Produktet slukker under driften eller vil ikke starte	Produktet / batterierne er for varmt/-e eller for koldt/-e.	▶ Sluk maskinen, og lad maskinen/batterierne køle af. ▶ Batterierne er for kolde. Bring batterierne op på den anbefalede arbejdstemperatur.

11 Bortskaffelse

ADVARSEL

Fare for personskader på grund af ukorrekt bortskaffelse! Sundhedsfare på grund af udtrængningen af gasser eller væsker.

- ▶ Beskadigede batterier må under ingen omstændigheder sendes!
- ▶ Tildæk kontakterne med et ikke-ledende materiale, så kortslutninger undgås.
- ▶ Bortskaf batterier på en sådan måde, at børn ikke kan få fat på dem.
- ▶ Bortskaf batteriet hos din **Hilti Store**, eller henvend dig til det ansvarlige renovationsfirma.

Størstedelen af de materialer, som anvendes ved fremstillingen af **Hilti**-produkter, kan genvindes. Materialerne skal dog sorteres, før de kan genvindes. I mange lande kan du aflevere dine udtjente produkter til **Hilti**, som derefter genvinder dem. Spørg **Hiltis** kundeservice eller din forhandler.



- ▶ Elværktøj, elektriske maskiner og batterier må ikke bortskaffes sammen med almindeligt husholdningsaffald!

12 Producentgaranti

- ▶ Hvis du har spørgsmål vedrørende garantibetingelserne, bedes du henvende dig til din lokale **Hilti**-partner.

13 Yderligere oplysninger

Yderligere oplysninger vedrørende betjening, teknik, miljø og recycling finder du under følgende link: qr.hilti.com/manual/?id=2301751&id=2301753

Dette link finder du også sidst i dokumentationen som QR-kode.



Originalbruksanvisning

1 Uppgifter för dokumentation

1.1 Om denna dokumentation

- Läs denna dokumentation innan du börjar ta enheten i drift. Det är en förutsättning för säkert arbete och problemfri hantering.
- Observera de säkerhets- och varningsanvisningar som du hittar i dokumentationen och på själva enheten.
- Förvara alltid bruksanvisningen tillsammans med produkten och överlämna aldrig produkten till någon annan utan att bifoga den.

1.2 Teckenförklaring

1.2.1 Varningar

Varningarna är till för att varna för risker i samband med användning av produkten. Följande riskindikeringar används:



FARA

FARA !

- ▶ Anger överhängande risker som kan leda till svåra personskador eller dödsolycka.



VARNING

VARNING !

- ▶ Anger potentiella risker som kan leda till svåra personskador eller dödsfall.



FÖRSIKTIGHET

FÖRSIKTIGHET !

- ▶ Används för att uppmärksamma om en potentiell risksituation som kan leda till skador på person eller utrustning.

1.2.2 Symboler i bruksanvisningen

I den här bruksanvisningen används följande symboler:

	Observera bruksanvisningen
	Anmärkningar och annan praktisk information
	Hantering av återvinningsbara material
	Elverktyg och batterier får inte kastas i hushållssoporna
	Hilti Litiumjonbatteri
	Hilti Batteriladdare

1.2.3 Symboler i bilderna

Följande symboler används i bilder:





	Dessa siffror hänvisar till motsvarande bild i början av bruksanvisningen.
	Numreringen återger ordningsföljden hos arbetsmomenten på bilden och kan skilja sig från arbetsmomenten i texten.
	På bilden Översikt används positionsnummer som hänvisar till siffrorna i teckenförklaringen i avsnittet Produktöversikt .
	Det här tecknet används när du bör vara särskilt uppmärksam vid hantering av produkten.



1.3 Produktberoende symboler

1.3.1 Symboler på produkten

Följande symboler kan förekomma på produkten:

	Använd inte lyftkran för transport
	Produkten stöder NFC-teknik, som är kompatibel med iOS- och Android-plattformar.
Li-Ion	Litiumjonbatteri
	Använd aldrig batteriet som slagverktyg.
	Låt inte batteriet falla ner på marken. Använd inte batterier som har utsatts för slag eller på annat sätt har skadats.

1.4 Produktinformation

HILTI-produkter är avsedda för professionella användare och får endast användas, underhållas och repareras av auktoriserad, utbildad personal. Personalen måste vara särskilt informerad om de risker som finns. Produkten och dess tillbehör kan utgöra en risk om den används på ett felaktigt sätt av utbildad personal eller inte används enligt föreskrifterna.

Typbeteckning och serienummer anges på typskylten.

- ▶ Använd de serienummer som anges i följande tabell. Du behöver produktuppgifterna när du kontaktar vår återförsäljare eller serviceverkstad.

Produktdetaljer

Mejselhammare	TE 2000-22
Generation	01
Serienr	

1.5 Försäkran om överensstämmelse

Härmed intygar tillverkaren med ensamt ansvar att produkten som beskrivs överensstämmer med gällande lagstiftning och standarder. En bild på försäkran om överensstämmelse hittar du i slutet av dokumentationen. Den tekniska dokumentationen finns sparad här:

Hilti Entwicklungsgesellschaft mbH | Zulassung Geräte | Hiltistraße 6 | 86916 Kaufering, Tyskland

2 Säkerhet

2.1 Allmänna säkerhetsföreskrifter för elverktyg

⚠ WARNING Läs noga igenom alla säkerhetsföreskrifter, anvisningar, utbildningar och tekniska data som medföljer detta elverktyg. Om nedanstående anvisningar inte följs, finns risk för elektriska stötar, brand och/eller svåra skador.

Förvara alla säkerhetsföreskrifter och anvisningarna på ett säkert ställe för framtida användning.

Begreppet "elverktyg" som används i säkerhetsföreskrifterna avser nätdrivna elverktyg (med nätkabel) och batteridrivna elverktyg (sladdlösa).

Säker arbetsmiljö

- ▶ **Håll arbetsområdet rent och väl belyst.** Oordning eller bristfällig belysning på arbetsplatsen kan leda till olyckor.
- ▶ **Arbeta inte med elverktyget i omgivning med explosionsrisk där det finns brännbara vätskor, gaser eller damm.** Elverktyg alstrar gnistor som kan antända dammet eller gaserna.
- ▶ **Håll barn och obehöriga personer på betryggande avstånd under arbetet med elverktyget.** Om du störs av obehöriga personer kan du förlora kontrollen över verktyget.

Elsäkerhet

- ▶ **Elverktygets elkontakt måste passa till vägguttaget. Elkontakten får absolut inte ändras. Använd inte adapterkontakter tillsammans med skyddsjordade elverktyg.** Originalkontakter och lämpliga vägguttag minskar risken för elstötar.



- ▶ **Undvik kroppskontakt med jordade ytor som rör, värmeelement, spisar och kylskåp.** Det finns en större risk för elstötår om din kropp är jordad.
- ▶ **Skydda elverktuget från regn och väta.** Tränger vatten in i ett elverktyg ökar risken för elstötår.
- ▶ **Använd inte anslutningskabeln på ett felaktigt sätt, t.ex. genom att bära eller hänga upp elverktuget i den eller dra i den för att lossa elkontakten ur vägguttaget. Håll anslutningskabeln på avstånd från värmekällor, olja, vassa kanter och rörliga delar.** Skadade eller tilltrasslade anslutningskablar ökar risken för elstötår.
- ▶ **När du arbetar med ett elverktyg utomhus, använd endast förlängningskablar som är avsedda för utomhusbruk.** Genom att använda en lämplig förlängningskabel för utomhusbruk minskar du risken för elstötår.
- ▶ **Om det är alldeles nödvändigt att använda verktyget i fuktig miljö ska du använda en jordfelsbrytare.** Användning av jordfelsbrytare minskar risken för elstötår.

Personsäkerhet

- ▶ **Var uppmärksam, ha uppsikt över vad du gör och använd elverktuget med förnuft. Använd aldrig elverktyg om du är trött eller påverkad av droger, alkohol eller medicin.** En kort sekund av bristande uppmärksamhet när du arbetar med ett elverktyg kan leda till att du skadar dig själv eller någon annan svårt.
- ▶ **Bär alltid personlig skyddsutrustning och skyddsglasögon.** Genom att använda personlig skyddsutrustning som t.ex. dammskyddsmask, halkfria säkerhetsskor, hjälm eller hörselskydd, beroende på vilket elverktyg du använder och till vad, minskar du risken för kroppsskada.
- ▶ **Undvik oavsiktlig igångsättning. Se till att elverktuget är fränkopplat innan du ansluter det till nätströmmen och/eller batteriet, tar upp det eller bär det.** Om du bär elverktuget med fingret på strömbrytaren eller ansluter ett tillkopplat verktyg till nätströmmen kan en olycka inträffa.
- ▶ **Ta bort alla inställningsverktyg och skruvnycklar innan du kopplar in elverktuget.** Ett verktyg eller en nyckel i en roterande komponent kan leda till skador.
- ▶ **Undvik en onormal kroppshållning. Se till att du står stadigt och håller balansen.** Då kan du lättare kontrollera elverktuget i oväntade situationer.
- ▶ **Bär lämpliga kläder. Bär inte löst hängande kläder eller smycken. Håll håret, kläderna och handskarna på avstånd från rörliga delar.** Löst hängande kläder, smycken och långt hår kan dras in av roterande delar.
- ▶ **När du använder elverktyg med anordningar för uppsugning och uppsamling av damm, bör du kontrollera att dessa anordningar är rätt monterade och används korrekt.** Används en dammsugare kan faror som orsakas av damm minskas.
- ▶ **Invagga dig inte i falsk säkerhet och strunta inte säkerhetsreglerna för elverktyg även om du har stor vana vid att arbeta med elverktuget.** Oförsiktig hantering kan leda till allvarliga skador inom bråkdelar av en sekund.

Användning och hantering av elverktyg

- ▶ **Överbelasta inte verktyget. Använd elverktyg som är avsedda för det aktuella arbetet.** Med ett lämpligt elverktyg kan du arbeta bättre och säkrare inom angivet effektområde.
- ▶ **Använd aldrig elverktuget om strömbrytaren är defekt.** Ett elverktyg som inte kan kopplas in eller ur är farligt och måste repareras.
- ▶ **Dra ut elkontakten ur uttaget och/eller ta i förekommande fall bort det löstagbara batteriet innan du gör inställningar, byter tillbehör eller lägger ifrån dig verktyget.** Denna skyddsåtgärd förhindrar att du eller någon annan råkar sätta igång elverktuget av misstag.
- ▶ **Förvara elverktyg oåtkomligt för barn. Verktyget får inte användas av personer som inte är vana eller inte har läst dessa anvisningar.** Elverktyg är farliga om de används av oerfarna personer.
- ▶ **Underhåll elverktugen och tillbehören noggrant. Kontrollera att rörliga komponenter fungerar felfritt och inte kärvar och att komponenter inte har brustit eller skadats så att elverktugets funktion påverkas negativt. Se till att skadade delar repareras innan verktyget används igen.** Många olyckor orsakas av dåligt skötta elverktyg.
- ▶ **Håll insatsverktygen skarpa och rena.** Omsorgsfullt skötta insatsverktyg med skarpa eggar kommer inte så lätt i kläm och går lättare att styra.
- ▶ **Använd elverktyg, tillbehör, insatsverktyg osv. enligt dessa anvisningar. Ta hänsyn till arbetsvillkoren och arbetsmomenten.** Används elverktuget på icke ändamålsenligt sätt kan farliga situationer uppstå.
- ▶ **Se till att handtaget och greppytorna är torra, rena och fria från olja och fett.** Med hala handtag och gripytor går det inte att hantera och kontrollera elverktuget säkert i oväntade situationer.

Användning och hantering av batteriverktyg

- ▶ **Ladda endast batterierna i de laddare som tillverkaren har rekommenderat.** Brandrisk kan uppstå om en laddare som är avsedd för en viss typ av batterier används för andra batterityper.



- ▶ **Använd endast batterier som är avsedda för aktuellt elverktyg.** Används andra batterier finns det risk för kroppsskada och brand.
- ▶ **Håll gem, mynt, nycklar, spikar, skruvar och andra små metallföremål på avstånd från reservbatterier för att undvika kortslutning av kontaktarna.** En kortslutning av batteriets kontakter kan leda till brännskador eller brand.
- ▶ **Om batteriet används på fel sätt kan vätska rinna ur batteriet. Undvik kontakt med vätskan. Vid oavsiktlig kontakt, skölj med vatten.** Om vätska kommer i kontakt med ögonen, uppsök dessutom läkare. Batterivätskan kan orsaka hudirritation eller brännskada.
- ▶ **Använd aldrig skadade eller egenhändigt modifierade batterier.** Skadade eller modifierade batterier kan bete sig oförutsägbart och orsaka brand, explosioner eller risk för skador.
- ▶ **Utsätt aldrig batterier för öppen eld eller för höga temperaturer.** Öppen eld eller temperaturer över 130 °C (265 °F) kan orsaka explosion.
- ▶ **Följ alla anvisningar för laddning och ladda aldrig batteriet eller batteriverktyget vid temperaturer som ligger utanför det intervall som anges i bruksanvisningen.** Felaktigt utförd laddning eller laddning vid temperaturer utanför det tillåtna intervallet kan förstöra batteriet och öka risken för brand.

Service

- ▶ **Låt endast kvalificerad fackpersonal reparera elverktyget och använd då endast originalreservdelar.** Detta garanterar att verktygets säkerhet upprätthålls.
- ▶ **Utför aldrig underhåll på skadade batterier.** Underhåll av batterier får endast utföras av tillverkaren eller av auktoriserade kundservicecenter.

2.2 Säkerhetsföreskrifter för hammare

Säkerhetsanvisningar för alla arbeten

- ▶ **Bär hörselskydd.** Buller kan leda till hörselskador.
- ▶ **Använd de extrahandtag som levereras tillsammans med verktyget.** Tappardu kontrollen över verktyget kan det leda till skador.
- ▶ **Håll verktyget i de isolerade greppytorna medan du arbetar, eftersom det kan finnas risk att insatsverktyget stöter på en dold elledning.** Vid kontakt med en spänningssatt ledning kan metalldelar på verktyget spänningssättas och ge dig en stöt.

2.3 Ytterligare säkerhetsanvisningar för mejselhammare

Personsäkerhet

- ▶ Använd endast produkten och dess tillbehör om den är fullt funktionsduglig.
- ▶ Produkten eller dess tillbehör får inte byggas om eller ändras.
- ▶ Använd om möjligt transportkärran eller andra transportmedel. Produkten ska alltid bäras av två personer om ingen transportkärra eller annat transportmedel finns. Observera att produkten och transportkärran tillsammans har en hög vikt.
- ▶ Se till att du står stadigt vid bilning i tak, väggar och golv. Ett plötsligt genombrott kan göra att du tappar balansen!
- ▶ Vid genombrottsarbeten, tänk på att säkra området på motstående sida. Annars finns det risk för att det material som lossnar ramlar ner eller skjuter iväg och skadar människor i närheten.
- ▶ Använd lämpliga skyddsglasögon, skyddshjälm, hörselskydd och ett lätt andningsskydd när du arbetar med produkten och se till att personer i närheten av verktyget har samma skyddsutrustning.
- ▶ Damm som uppstår vid slipning, polering, kapning och borrarning kan innehålla farliga kemikalier. Exempel på sådana är: bly eller blybaserade färger, tegel, betong och andra murverksprodukter, natursten och andra produkter som innehåller silikat, Vissa träslag som ek och bok samt kemiskt behandlat trä, asbest eller material som innehåller asbest. Fastställ exponeringen för användaren och personer i närheten av arbetsområdet genom att kontrollera vilken riskklass det material som ska bearbetas tillhör. Vidta nödvändiga åtgärder för att hålla exponeringen på en säker nivå. Använd t.ex. ett dammuppsamlingssystem eller bär lämpligt andningsskydd. Allmänna åtgärder för att minska exponeringen är:
 - ▶ Arbeta i ett välventilerat utrymme,
 - ▶ Undvik längre kontakt med damm,
 - ▶ Led bort damm från ansiktet och kroppen,
 - ▶ Bär skyddskläder och tvätta exponerade områden med tvål och vatten.
- ▶ Använd skyddshandskar vid verktygsbyte. Det finns risk för skär- och brännskador vid beröring av nyss använda insatsverktyg.



- ▶ Risk för personskada på grund av nedfallande verktyg och/eller tillbehör. Kontrollera att batteriet och det monterade tillbehöret sitter fast ordentligt innan du påbörjar arbetet.
- ▶ Håll alltid ventilationsspringorna fria. Risk för brännskador om ventilationsspringorna är övertäckta!
- ▶ Använd skyddsglasögon. Splitter kan skada oskyddade kroppsdelar och ögon.
- ▶ Ta ofta paus i arbetet och utför fingerövningar som ökar blodgenomströmningen i fingrarna. Vid långvarigt, ihållande arbete kan de starka vibrationerna ge besvär i blodkärl och nerver i fingrarna, händerna och handlederna.
- ▶ Se alltid till att produkten står stabilt. Ställ alltid produkten på ett jämnt och stabilt underlag som är fritt från vibrationer och skakningar.

Elektrisk säkerhet

- ▶ Undersök om det finns dolda el-, gas- och vattenledningar inom arbetsområdet innan du påbörjar arbetet. Utanpåliggande metalldelar på produkten kan orsaka elstöt eller explosion om du skadar en el-, gas- eller vattenledning.

Omsorgsfull hantering och användning av elverktyg

- ▶ Vänta tills elverktyget stannat helt innan du lägger det ifrån dig.
- ▶ Slå inte på produkten förrän den är i arbetsläge.

2.4 Omsorgsfull hantering och användning av batterier

- ▶ **Observera följande säkerhetsanvisningar för säker hantering och användning av litiumjonbatterier.** Om åtgärderna inte följs kan det leda till hudirritation, svåra frätskador, kemiska brännskador, bränder och/eller explosioner.
- ▶ Använd endast batterier som är fullt funktionsdugliga.
- ▶ Hantera batterierna varsamt för att undvika skador och läckage av hälsovådliga syror!
- ▶ Batterier får absolut inte modifieras eller manipuleras!
- ▶ Batterier får inte tas isär, klämmas, upphetas till mer än 80 °C (176 °F) eller brännas upp.
- ▶ Använd inte och ladda inte batterier som har utsatts för slag eller på annat sätt är skadade. Kontrollera batterierna regelbundet för att se om de uppvisar tecken på skador.
- ▶ Använd aldrig återvunna eller reparerade batterier.
- ▶ Använd aldrig batteriet eller ett batteridrivet elverktyg som slagverktyg.
- ▶ Utsätt aldrig batterierna för direkt solljus, förhöjda temperaturer, gnistor eller öppna lågor. Detta kan leda till explosioner.
- ▶ Rör inte batteripolerna med dina fingrar, verktyg, smycken eller andra elektriskt ledande föremål av metall. Detta kan skada batteriet och orsaka såväl materiella skador som personskador.
- ▶ Håll batterierna borta från regn, väta och vätskor. Fukt som tränger sig in kan orsaka kortslutningar, elstötar, brännskador och explosioner.
- ▶ Använd endast batteriladdare och elverktyg som är avsedda för denna typ av batteri. Läs också igenom uppgifterna i motsvarande bruksanvisning.
- ▶ Använd inte och förvara inte batteriet i explosionsfarliga miljöer.
- ▶ Om batteriet är så hett att du inte kan ta i det kan det vara defekt. Ställ batteriet på en plats där inget riskerar att fatta eld och på betryggande avstånd från brännbart material. Låt batteriet svalna. Om batteriet efter en timme fortfarande är så hett att det inte går att ta i är det defekt. Kontakta **Hilti**-service eller läs dokumentet "Säkerhetsanvisningar vid användning av **Hilti** litiumjonbatterier".



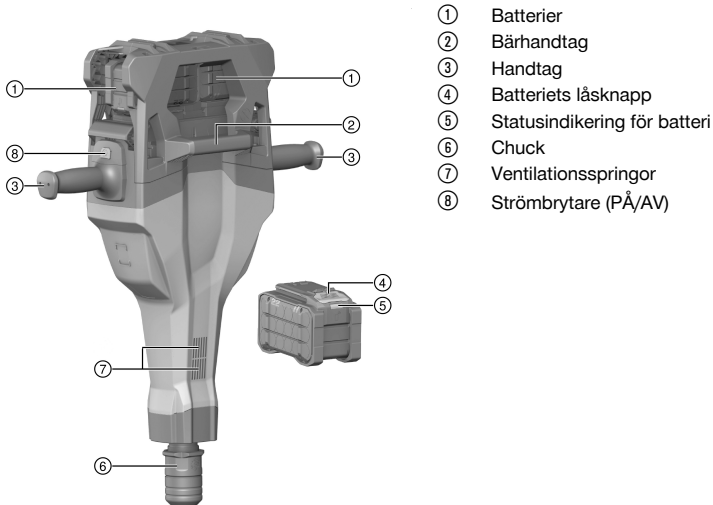
Följ de särskilda föreskrifter som gäller för transport, förvaring och användning av litiumjonbatterier.
→ Sidan 47

Läs säkerhetsanvisningarna för användning av **Hilti** litiumjonbatterier som du hittar genom att skanna QR-koden i slutet av denna bruksanvisning.



3 Beskrivning

3.1 Produktöversikt 1



- ① Batterier
- ② Bärhandtag
- ③ Handtag
- ④ Batteriets låsknapp
- ⑤ Statusindikering för batteri
- ⑥ Chuck
- ⑦ Ventilationspringor
- ⑧ Strömbrytare (PÅ/AV)

3.2 Översikt över transportkärra och väska B22C (XL) (tillval) 2

- ① Grepp
- ② Laddningssäkring
- ③ Positionslås
- ④ Låsbygel för batteriväska B22C (XL)
- ⑤ Hållare för förbrukningsmaterial (mejsel)
- ⑥ Hjul
- ⑦ Hjulspärr (skiva, sprint)
- ⑧ Maskindorn
- ⑨ Bärhandtag
- ⑩ Batteri
- ⑪ Batteriladdare
- ⑫ Väska B22C (XL)

3.3 Avsedd användning

Produkten som beskrivs är en handhållen batteridrivna mejselhammare. Den är avsedd för bilning av betong, tegel och asfalt. Den kan även användas för stampning och schaktning.

Produkten får endast användas riktad mot golvet.

- Använd endast **Hilti** Nuron litiumjonbatterier av typen B 22 med produkten. För optimala prestanda rekommenderar **Hilti** att batterierna i den tabell som finns i slutet av bruksanvisningen används med produkten.
- Använd endast **Hiltis** batteriladdare från de typserier som anges i tabellen i slutet av bruksanvisningen.

3.4 Felanvändning

- Produkten får inte användas för arbeten i fuktiga miljöer.
- Använd inte produkten där det finns risk för brand eller explosioner.
- Hälsoskadliga material (som asbest) får inte bearbetas.
- Använd aldrig lyftkran för att transportera produkten.
- Använd inte en stege när du utför arbetet.
- Produkten får inte användas horisontellt mot väggen.
- Använd inga verktygslinor.



3.5 Active Vibration Reduction

Produkten är utrustad med ett Active Vibration Reduction (AVR)-system som märkbart minskar vibrationerna.

3.6 Leveransinnehåll

Batteridrivna mejselhammare, bruksanvisning, fett

Transportkärnan och väskan för batteriet och batteriladdaren finns som tillbehör.

Dessutom finns fler systemprodukter för din produkt både i närmaste **Hilti Store** och på nätet: www.hilti.group

3.7 Indikering för litiumjonbatteriet

Hilti Nuron litiumjonbatterier kan visa laddningsstatus, felmeddelanden och batteristatus.

3.7.1 Visning av laddningsstatus och felmeddelanden

VARNING

Risk för personskada på grund av nedfallande batterier.

- När du har satt i batteriet och tryckt ner frigöringsknappen, kontrollera att batteriet har hakat i korrekt i verktyget igen.

För att visa följande indikeringar, tryck ner batteriets frigöringsknapp.

Laddningsstatus och eventuella störningar visas så länge den anslutna produkten är påslagen.

Status	Betydelse
Fyra (4) lysdioder lyser med fast grönt sken	Laddningsstatus: 100 % till 71 %
Tre (3) lysdioder lyser med fast grönt sken	Laddningsstatus: 70 % till 51 %
Två (2) lysdioder lyser med fast grönt sken	Laddningsstatus: 50 % till 26 %
En (1) lysdiod lyser med fast grönt sken	Laddningsstatus: 25 % till 10 %
En (1) lysdiod blinkar långsamt grönt	Laddningsstatus: < 10 %
En (1) lysdiod blinkar snabbt grönt	Litiumjonbatteriet är helt urladdat. Ladda batteriet. Kontakta Hilti-service om lysdioden fortfarande blinkar snabbt efter att batteriet har laddats.
En (1) lysdiod blinkar snabbt gult	Litiumjonbatteriet eller den anslutna produkten är överbelastad, för varm, för kall eller så föreligger ett annat fel. Ställ in produkten och batteriet på den rekommenderade arbetstemperaturen och undvik att överbelasta produkten vid användning. Kontakta Hilti-service om meddelandet kvarstår.
En (1) lysdiod lyser gult	Litiumjonbatteriet och produkten är inte kompatibla med varandra. Kontakta Hilti-service .
En (1) lysdiod blinkar snabbt rött	Litiumjonbatteriet är spärrat och kan inte användas. Kontakta Hilti-service .

3.7.2 Visning av batteristatus

För att kontrollera batteriets status, håll frigöringsknappen nedtryckt i minst tre sekunder. Systemet registrerar inga potentiella funktionsfel i batteriet till följd av missbruk som t.ex. fall, punkteringsskador, externa värmeskador osv.

Status	Betydelse
Alla lysdioder lyser i turordning och därefter lyser en (1) lysdiod grönt.	Batteriet kan fortfarande användas.
Alla lysdioder lyser i turordning och därefter blinkar en (1) lysdiod snabbt gult.	Begäran om batteristatus kunde inte slutföras. Upprepa proceduren eller kontakta Hilti-service .



Status	Betydelse
Alla lysdioder lyser i turordning och därefter lyser en (1) lysdiod med fast rött sken.	Om en ansluten produkt kan fortsätta användas är den kvarvarande batterikapaciteten under 50 %. Om en ansluten produkt inte kan användas längre har batteriet nått slutet på sin livslängd och måste bytas ut. Kontakta Hilti -service.

4 Batteridriven mejselhammare

	TE 2000-22
Vikt enligt EPTA Procedure 01 utan batteri	17,4 kg
Enkelslagsenergi (EPTA-Procedure 05)	38,2 J
Omgivningstemperatur vid drift	-17 °C ... 60 °C
Förvaringstemperatur	-20 °C ... 70 °C

4.1 Batteri

Batteriets driftspänning	21,6 V
Batteriets vikt	Se slutet av denna bruksanvisning
Omgivningstemperatur vid drift	-17 °C ... 60 °C
Förvaringstemperatur	-20 °C ... 40 °C
Batteritemperatur när laddningen påbörjas	-10 °C ... 45 °C

4.2 Bullerinformation och vibrationsvärden enligt EN 62841

De ljudtrycks- och vibrationsvärden som anges i anvisningarna har uppmätts med en standardiserad mätmetod och kan användas för att jämföra olika elverktyg med varandra. De kan också användas för att göra en preliminär uppskattning av exponeringarna.

De angivna värdena representerar elverktygets huvudsakliga användning. När elverktyget begagnas inom andra områden, med andra insatsverktyg eller med otillräckligt underhåll, kan mätning ge avvikande värden. Det innebär att exponeringen under den totala arbetstiden kan ökas betydligt.

För att uppskattningen av exponeringarna ska bli exakt bör man också räkna in de tider då verktyget är avstängt eller då det är påslaget men inte används. Det kan betydligt minska exponeringen under den totala arbetstiden.

Vidta även andra säkerhetsåtgärder för att skydda användaren mot effekterna av buller och vibrationer, exempelvis: underhåll av elverktyg och insatsverktyg, möjlighet att hålla händerna varma, välorganiserade arbetsförlopp.

Bullerinformation

Uppmätt ljudeffektnivå (L_{WA})	98 dB(A)
Osäkerhet ljudeffektnivå (K_{WA})	3 dB(A)
Ljudtrycksnivå (L_{pA})	87 dB(A)
Osäkerhet ljudtrycksnivå (K_{pA})	3 dB(A)

Sammanlagt vibrationsvärde

Bilning ($a_{h, Cheq}$)	B 22-170	3,8 m/s ²
	B 22-255	3,8 m/s ²
Osäkerhet (K)		1,5 m/s ²

5 Förberedelser för arbete

VARNING

Risk för personskada till följd av oavsiktlig start!

- Kontrollera att produkten är avstängd innan du sätter i batteriet.
- Ta alltid bort batteriet innan du gör några inställningar på produkten eller byter tillbehörsdelar.



Observera de säkerhets- och varningsanvisningar som du hittar i dokumentationen och på produkten.

5.1 Laddning av batterier

1. Läs batteriladdarens bruksanvisning innan du laddar batteriet.
2. Se till att batteriets och batteriladdarens sladdar är rena och torra.
3. Ladda batteriet i en godkänd batteriladdare. → Sidan 42

5.2 Sätta i batteri

VARNING

Risk för personskada på grund av kortslutning eller nedfallande batteri!

- ▶ Kontrollera innan du sätter in batteriet i produkten att både batteriets och produktens kontakter är fria från smuts och andra hinder.
- ▶ Se alltid till att batterierna snäpper fast ordentligt.

1. Ladda batterierna helt innan de används första gången.
2. Skjut in batterierna i produkten tills de snäpper fast hörbart.
3. Kontrollera att batterierna sitter stadigt.

5.3 Ta ut batteriet

1. Tryck in upplåsningsskruven till batteriet.
2. Dra ut batteriet ur produkten.

6 Användning

Observera de säkerhets- och varningsanvisningar som du hittar i dokumentationen och på själva enheten.

6.1 Byta insatsverktyg

1. Fetta in insticksändaren på insatsverktyget en aning.



Användning av olämpligt fett kan orsaka skador på produkten. **Använd endast originalfett från Hilti.**

2. Sätt insatsverktyget i chucken och vrid det samtidigt som du trycker det lätt inåt tills det låser.
3. Dra i mejseln för att kontrollera att den sitter fast ordentligt.

6.2 Ta ur insatsverktyg

FÖRSIKTIGHET

Risk för personskada! Insatsverktyget kan vara hett och/eller ha skarpa kanter.

- ▶ Använd alltid skyddshandskar när du byter insatsverktyg.
- ▶ Lägg aldrig varma insatsverktyg på ett brännbart underlag.

1. Dra tillbaka chuckhylsan så långt det går.
2. Ta ur insatsverktyget.

6.3 Användning

Observera de säkerhets- och varningsanvisningar som du hittar i dokumentationen och på produkten. Be om godkännande från bygglagningen samtliga för arbeten som ska utföras!

6.3.1 Mejsling

1. Sätt mejseln i önskat läge.
2. Tryck på strömbrytaren.



Arbeten vid låga temperaturer:

Produkten kräver en viss drifttemperatur för att slagmekanismen ska startas. För att uppnå denna kan du sätta an produkten mot underlaget och låta den gå på tomgång. Upprepa tills slagmekanismen startas.



6.3.2 Frånkoppling

- ▶ Tryck på strömbrytaren.

6.3.3 Arbetsanvisningar



Mejseln kan låsas fast i 6 olika lägen (i steg om 60°). Därigenom kan man alltid hitta en optimal arbetsställning vid arbete med flat- eller formmejsel.

- ▶ Påbörja mejslingen cirka 80–100 mm (3 1/8"–4") från kanten.
- ▶ Vid armeringsjärn, för alltid mejseln mot kanten på materialet, inte mot armeringsjärnet.
- ▶ Påbörja mejslingen i en vinkel på 90° mot betongytan och rikta spetsen mot kanten. Ändra sedan vinkeln från 70° till 80° och bryt loss materialet.
- ▶ Vrid regelbundet på mejseln, eftersom ett jämnt slitage främjar självslipningen.
- ▶ Ett för lågt anpressningstryck gör att mejseln hoppar. Ett för högt anpressningstryck leder till försämrad mejslingseffekt.

7 Transportkärra och väska B22/C (XL)

7.1 Transport

Transportkärnan garanterar säker transport av mejselhammaren.

Väskan B22/C (XL) garanterar säker transport av laddaren och batteriet.

- Se till att transportkärnan står stabilt.
- Ställ produkten på maskindornen och lås alltid fast det med låsbygeln under transport.
- Ställ väskan B22/C (XL) på transportkärnan och lås fast den med låsbygeln.
- Se till att transportsträckan är säker.
- Placera inte transportkärnan på lutande ytor.
- Använd inte kran för att förflytta transportkärnan och väskan B22/C (XL).
- Sätt mejseln i den därför avsedda hållaren tills den låser.
- Se till att transportsträckan är säker.
- Placera inte transportkärnan på lutande ytor.
- Använd inte kran för att förflytta transportkärnan och väskan B22/C (XL).

8 Skötsel och underhåll



VARNING

Risk för personskada om batteriet är anslutet !

- ▶ Ta alltid ut batteriet före alla skötsel- och underhållsarbeten.

Skötsel av produkten

- Ta försiktigt bort smuts som fastnat på produkten.
- Om produkten är försedd med ventilationsspringor, rengör dem försiktigt med en torr borste.
- Rengör höljet med en lätt fuktad trasa. Använd inte rengöringsmedel med silikon, eftersom det kan skada plastdelarna.

Skötsel av litiumjonbatterier

- Använd aldrig ett batteri med tilltäppta ventilationsspringor. Rengör ventilationsspringorna försiktigt med en torr och mjuk borste.
- Undvik att utsätta batteriet för damm eller smuts i onödan. Utsätt aldrig batteriet för hög fuktighet (t.ex. sänka ner det i vatten eller lämna det ute i regnet). Om ett batteri har blivit blött behandla du det som ett skadat batteri. Isolera det i en icke brännbar behållare och kontakta **Hilti**-service.
- Håll batteriet fritt från olja och fett. Låt inte onödigt mycket damm eller smuts ansamlas på batteriet. Rengör batteriet med en mjuk borste eller en ren och torr trasa. Använd inte rengöringsmedel med silikon, eftersom det kan skada plastdelarna.
- Rengör höljet med en lätt fuktad trasa. Använd inte rengöringsmedel med silikon, eftersom det kan skada plastdelarna.



Underhåll

- Kontrollera regelbundet att inga synliga delar har skadats och att alla reglage fungerar som de ska.
- Använd inte produkten om den uppvisar skador eller funktionsstörningar. Skicka den direkt till **Hilti-service** för reparation.
- Efter att skötsel- och underhållsarbete utförts ska alla skyddsanordningar alltid monteras och kontrolleras.



Använd endast originalreservdelar och förbrukningsmaterial för säker drift. Godkända reservdelar, förbrukningsmaterial och tillbehör till din produkt från oss hittar du i närmaste **Hilti Store** eller på: www.hilti.group.

9 Transport och förvaring av sladdlösa verktyg och batterier

Transport

FÖRSIKTIGHET

Oavsiktlig start under transport. !

- ▶ Transportera alltid produkten utan insatta batterier.
- ▶ Ta ut batteriet/batterierna.
- ▶ Transportera aldrig batterierna löst liggande. Under transport ska batterierna skyddas mot alltför hårda stötar och vibrationer samt hållas isolerade från eventuella ledande material eller andra batterier så att de inte kommer i kontakt med andra batteripoler och orsakar en kortslutning. **Observera lokala transportföreskrifter för batterier.**
- ▶ Batterier får inte skickas per post. Vänd dig till ett fraktbolag om du vill skicka intakta batterier.
- ▶ Kontrollera produkt och batterier före varje användning samt före och efter längre transport för att se till att de inte är skadade.

Förvaring

VARNING

Oavsiktlig skada på grund av trasiga eller läckande batterier. !

- ▶ Förvara alltid produkten utan insatta batterier.
- ▶ Förvara produkt och batterier svalt och torrt. Följ de temperaturgränsvärden som anges i den tekniska informationen.
- ▶ Förvara inte batterierna i batteriladdaren. Ta alltid ur batteriet ur laddaren när laddningen är klar.
- ▶ Förvara aldrig batterier i solen, på värmekällor eller bakom glas.
- ▶ Förvara produkt och batteri utom räckhåll för barn och obehöriga personer.
- ▶ Kontrollera produkt och batterier före varje användning samt före och efter längre tids förvaring för att se till att de inte är skadade.

10 Felsökning

Observera batteriets laddningsstatus- och felindikering vid alla störningar. Se kapitel **Indikeringar för litiumjonbatteri**.

Kontakta **Hilti-service** om det uppstår ett fel som inte finns med i den här tabellen eller som du inte lyckas åtgärda på egen hand.

Fel	Möjlig orsak	Lösning
Batteriet snäpper inte fast med ett hörbart "klick".	Batteriets eller verktygsgränssnittets låsmekanism är smutsig.	▶ Rengör låsmekanismen och sätt i batterierna igen.
Batteriet laddas ur fortare än vanligt.	Batteriet fungerar inte optimalt.	▶ Kontrollera batteriets funktion. → Sidan 43
Produkten startar inte.	Endast ett laddat batteri är anslutet.	▶ Anslut det andra laddade batteriet.
Inget slag.	Produkten är för kall.	▶ Placera produkten på underlaget och låt den gå på tomgång. Upprepa detta om så krävs, tills slagmekanismen kommer igång.



Fel	Möjlig orsak	Lösning
Kraftig värmeutveckling i produkt eller batteri.	Elektriskt fel.	<ul style="list-style-type: none"> ▶ Stäng av produkten omedelbart. Ta ut batterierna och håll uppsikt över dem. Låt dem svalna. Kontakta Hilti-service.
Produkten stängs av under drift eller startar inte	Produkten/batterierna för varm(a) eller batterierna är för kalla.	<ul style="list-style-type: none"> ▶ Stäng av, låt verktøyet/batterierna svalna. ▶ Batterierna för kalla. Värm batterierna till den rekommenderade arbetstemperaturen.

11 Avfallshandtering

VARNING

Risk for personskada på grund av felaktig avfallshandtering! Hølsorisk på grund av lèckande gaser eller syror.

- ▶ Skicka aldrig ivåg skadade batterier!
- ▶ Tèck anslutningarna med ett icke ledande material for å forhindra kortslutninger.
- ▶ Kasserer batterier så att de inte kan hamna i hænderna på barn.
- ▶ Kasserer batteriet hos din **Hilti Store** eller vænd dig till nærmeste återvinningscentral.

Hilti-produkter er till stor del tillverkade av återvinningsbara material. En forrøstøtning for återvinning er ått materialet separeres på røtt sètt. I mængde lènder tar **Hilti** tillbaka din gamla enhet for återvinning. Frøgde **Hilti** kundservice eller din sèljere.



- ▶ Kaster ikke elverktøyet, elektronisk apparatur og batterier i hushøllssoporna.

12 Tillverkargaranti

- ▶ Vænd dig till din lokale **Hilti**-representant om du har frøgde om garantivillkørene.

13 Ytterligere informasjon

Ytterligere informasjon om drift, teknik, miljø og återvinning hittar du via følgende lènk: qr.hilti.com/manual/?id=2301751&id=2301753

Lènken finns ogskå som en QR-kod i slutet av dokumentationen.

Original bruksanvisning

1 Informasjon om dokumentasjonen

1.1 Om denne dokumentasjonen

- Les denne dokumentasjonen før du tar produktet i bruk. Dette er en forutsetning for sikkerhet under arbeidet og problemfri bruk.
- Føl g sikkerhetshenvisningene og advarslene i denne dokumentasjonen og på produktet.
- Oppbevar alltid bruksanvisningen på produktet, og lever bruksanvisningen fra deg sammen med produktet hvis det overtas av andre personer.

1.2 Symbolforklaring

1.2.1 Farehenvisninger

Farehenvisninger advarer mot farer under håndtering av produktet. Følgende signalord brukes:



FARE

FARE !

- ▶ For en umiddelbart truende fare som kan føre til alvorlige personskader eller død.

ADVARSEL

ADVARSEL !

- ▶ Varsler en mulig fare som kan føre til alvorlige personskader eller død.

FORSIKTIG

FORSIKTIG !

- ▶ Varsler om en mulig farlig situasjon som kan føre til personskade eller materiell skade.

1.2.2 Symboler i bruksanvisningen

Følgende symboler benyttes i denne bruksanvisningen:

	Følg bruksanvisningen
	Bruksanvisninger og andre nyttige opplysninger
	Håndtering av resirkulerbare materialer
	Ikke kast elektriske apparater eller batterier i husholdningsavfallet
	Hilti li-ion-batteri
	Hilti Lader

1.2.3 Symboler i illustrasjoner

Følgende symboler brukes i illustrasjonene:

	Disse tallene viser til illustrasjonen i begynnelsen av denne bruksanvisningen.
	Nummereringen angir rekkefølgen for arbeidstrinnene på bildet og kan avvike fra arbeidstrinnene i teksten.
	Posisjonsnumrene brukes i illustrasjonen Oversikt og henviser til numrene på teksten i avsnittet Produktoversikt .
	Dette symbolet betyr at håndtering av produktet krever stor grad av oppmerksomhet.

1.3 Produktavhengige symboler

1.3.1 Symboler på produktet

Følgende symboler kan brukes på produktet:

	Transport med kran er forbudt
	Produktet støtter NFC-teknologi som er kompatibel med iOS- og Android-plattformer.
	Li-ion-batteri
	Bruk aldri batteriet som slagverktøy.
	Ikke mist ned batteriet. Ikke bruk et batteri som har vært utsatt for støt eller er skadet på annen måte.



1.4 Produktinformasjon

-produkter er laget for profesjonell bruk og må kun brukes, vedlikeholdes og repareres av kyndig personale. Dette personalet må informeres om eventuelle farer som kan oppstå. Produktet og tilleggsutstyret kan utgjøre en fare hvis det betjenes av ukvalifisert personale eller det benyttes feil.

Typebetegnelse og serienummer står på typeskiltet.

- ▶ Skriv inn serienummeret i tabellen nedenfor. Du trenger produktspesifikasjonene ved henvendelser til Hiltis representant eller servicesenter.

Produktspesifikasjoner

Meiselhammer	TE 2000-22
Generasjon	01
Serienummer	

1.5 Samsvarserklæring

Produsenten erklærer under sitt eneansvar at produktet som er beskrevet her, oppfyller kravene i gjeldende lovgivning og er i samsvar med gjeldende standarder. Du finner et bilde av samsvarserklæringen på slutten av denne dokumentasjonen.

Den tekniske dokumentasjonen er lagret her:

Hilti Entwicklungsgesellschaft mbH | Zulassung Geräte | Hiltistraße 6 | 86916 Kaufering, DE

2 Sikkerhet

2.1 Generelle sikkerhetsregler for elektroverktøy

⚠ ADVARSEL Les alle sikkerhetsanvisninger, instruksjer, illustrasjoner og tekniske data som elektroverktøyet er utstyrt med. Manglende overholdelse av anvisningene nedenfor kan medføre elektrisk støt, brann og/eller alvorlige personskader.

Overhold alle sikkerhetsanvisninger og instruksjoner i hele bruksperioden.

Begrepet "elektroverktøy" som er brukt i sikkerhetsanvisningene, viser til nettdrevne elektroverktøy (med nettkabel) eller til batteridrevne elektroverktøy (uten nettkabel).

Sikkerhet på arbeidsplassen

- ▶ **Hold arbeidsområdet rent og godt opplyst.** Rotete eller dårlig belyste arbeidsområder kan føre til ulykker.
- ▶ **Bruk ikke elektroverktøyet i eksplosjonsfarlige omgivelser hvor det befinner seg brennbare flytende stoffer, gasser eller støv.** Elektroverktøy lager gnister som kan antenne støv eller damp.
- ▶ **Hold barn og andre personer på sikker avstand mens elektroverktøyet brukes.** Hvis du blir forstyrret under arbeidet, kan du miste kontrollen over verktøyet.

Elektrisk sikkerhet

- ▶ **Elektroverktøyet støpselet må passe i stikkkontakten. Støpselet må ikke forandres på noen som helst måte. Bruk ikke adapterkontakt på jordete elektroverktøy.** Uendrede støpsler og egnede stikkontakter minsker risikoen for elektrisk støt.
- ▶ **Unngå kroppskontakt med jordete overflater som rør, radiatorer, komfyrer eller kjøleskap.** Risikoen for elektriske støt er høyere når kroppen er jordet.
- ▶ **Hold elektroverktøyet unna regn og fuktighet.** Risikoen for elektrisk støt øker ved inntrenging av vann i et elektroverktøy.
- ▶ **Bruk ikke ledningen til å bære elektroverktøyet, henge det opp eller til å dra støpselet ut av stikkkontakten. Hold ledningen unna varme, olje, skarpe kanter og deler som beveger seg.** Skadde eller sammenviklede ledninger øker risikoen for elektriske støt.
- ▶ **Bruk kun skjøteledninger som også er godkjent for utendørs bruk når du arbeider med et elektroverktøy utendørs.** Bruk av skjøteledning som er egnet til utendørs bruk, minsker risikoen for elektrisk støt.
- ▶ **Må elektroverktøyet brukes i fuktige omgivelser, er det nødvendig å bruke en jordfeilbryter.** Bruk av en jordfeilbryter reduserer risikoen for elektrisk støt.

Personsikkerhet

- ▶ **Vær oppmerksom, pass på hva du gjør, og gå fornuftig fram under arbeidet med et elektroverktøy. Ikke bruk elektroverktøy når du er trøtt eller påvirket narkotika, alkohol eller medikamenter.** Et øyeblikks uoppmerksomhet ved bruk av elektroverktøyet kan være nok til å forårsake alvorlige personskader.



- ▶ **Bruk alltid personlig verneutstyr og vernebriller.** Bruk av personlig verneutstyr som støvmaske, sklislisikre vernesko, hjelm eller hørselsvern – avhengig av type og bruk av elektroverktøyet – reduserer risikoen for skader.
- ▶ **Unngå utilsiktet start. Forsikre deg om at elektroverktøyet er slått av før du setter i stikkkontakten eller batteriet og før du løfter eller flytter elektroverktøyet.** Hvis du holder fingeren på bryteren når du bærer elektroverktøyet, eller kobler elektroverktøyet til strøm i innkoblet tilstand, kan dette føre til uhell.
- ▶ **Fjern justeringsverktøy og skrunøkkel før du slår på elektroverktøyet.** Et verktøy eller en nøkkel som befinner seg i en roterende maskindel, kan føre til skader.
- ▶ **Unngå uhensiktsmessige arbeidsposisjoner. Sørg for å stå stødig og i balanse.** Dermed kan du kontrollere elektroverktøyet bedre i uventede situasjoner.
- ▶ **Bruk egnede klær. Ikke bruk vide klær eller smykker. Hold hår, tøy og hansker unna deler som beveger seg.** Løstsittende tøy, smykker eller langt hår kan komme inn i deler som beveger seg.
- ▶ **Hvis det er montert støvavsugs- og oppsamlingsinnretninger, må det kontrolleres at disse er koblet til og blir brukt på riktig måte.** Bruk av støvavsug kan redusere faremomentene i forbindelse med støv.
- ▶ **Ikke følg deg for trygg og ikke bryt sikkerhetsreglene for elektroverktøy, heller ikke når du etter lang tids bruk er blitt fortrolig med elektroverktøyet.** Et øyeblikks uaktsomhet kan føre til alvorlige personskader.

Bruk og behandling av elektroverktøyet

- ▶ **Ikke overbelast verktøyet. Bruk et elektroverktøy som er beregnet til den type arbeid du vil utføre.** Med et passende elektroverktøy arbeider du bedre og sikrere i det angitte effektområdet.
- ▶ **Ikke bruk elektroverktøy med defekt bryter.** Et elektroverktøy som ikke lenger kan slås av eller på, er farlig og må repareres.
- ▶ **Dra ut støpselet fra stikkkontakten og/eller ta ut et uttakbart batteri før du foretar maskinnstillinger, bytter tilleggsutstyr eller legger bort verktøyet.** Disse tiltakene forhindrer utilsiktet start av elektroverktøyet.
- ▶ **Oppbevar elektroverktøy som ikke brukes, utenfor barns rekkevidde. La ikke personer som ikke er fortrolige med verktøyet eller ikke har lest disse instruksjonene, bruke verktøyet.** Elektroverktøy er farlige når de brukes av uerfarne personer.
- ▶ **Sørg for grundig stell og vedlikehold av elektroverktøyet med tilbehør. Kontroller at bevegelige deler på elektroverktøyet fungerer feilfritt og ikke klemmes fast, og at ingen deler er brukt eller skadet, slik at dette innvirker på elektroverktøyet funksjon. La skadde deler repareres før elektroverktøyet brukes.** Mange ulykker er et resultat av dårlig vedlikeholdte elektroverktøy.
- ▶ **Hold skjæreverktøy skarpe og rene.** Godt vedlikeholdte skjæreverktøy med skarpe skjærekanter blir sjeldnere fastklemt og er lettere å styre.
- ▶ **Bruk elektroverktøy, tilbehør, arbeidsverktøy osv. i overensstemmelse med denne anvisningen. Ta hensyn til arbeidsforholdene og arbeidet som skal utføres.** Bruk av elektroverktøy til andre formål enn det som er angitt, kan føre til farlige situasjoner.
- ▶ **Hold håndtak og gripeflater tørre, rene og frie for olje og fett.** Glatte håndtak og gripeflater gir ikke sikker betjening og kontroll av elektroverktøyet i uforutsette situasjoner.

Bruk og behandling av det batteridrevne elektroverktøyet

- ▶ **Bruk kun ladere som er anbefalt av produsenten når du skal lade batteriene.** Det oppstår brannfare når det brukes andre batterier i en lader enn dem laderen er egnet for.
- ▶ **Bruk bare batterier som er beregnet for de forskjellige elektroverktøyene.** Bruk av andre batterier kan medføre skader og brannfare.
- ▶ **Unngå å oppbevare ubrukte batterier i nærheten av binders, mynter, nøkler, nagler, skruer eller andre små metallgjenstander som kan forårsake kortslutning av kontakten.** En kortslutning mellom batterikontaktene kan føre til forbrenninger eller brann.
- ▶ **Ved feil bruk kan væske lekke fra batteriet. Unngå kontakt med denne væsken. Ved tilfeldig kontakt må det skylles med vann. Hvis det kommer væske i øynene, må du i tillegg oppsøke lege.** Batterivæske som renner ut, kan føre til irritasjoner på huden eller forbrenninger.
- ▶ **Ikke bruk batterier som er skadde eller modifiserte.** Skadde eller modifiserte batterier kan oppføre seg uforutsigbart og forårsake brann, eksplosjon eller personskade.
- ▶ **Ikke utsett batteriet for åpen ild eller høye temperaturer.** Ild eller temperaturer over 130 °C (265 °F) kan forårsake eksplosjon.
- ▶ **Følg alle anvisningene for lading, og lad aldri batteriet eller det batteridrevne verktøyet utenfor temperaturområdet som er angitt i bruksanvisningen.** Feil lading eller lading utenfor det tillatte temperaturområdet kan ødelegge batteriet og øke brannfaren.



Service

- ▶ **Elektroverktøyet må kun repareres av kvalifisert fagpersonale og kun med originale reservedeler.** Slik opprettholdes maskinens sikkerhet.
- ▶ **Vedlikehold ikke skadde batterier.** Alt vedlikehold på batterier skal utføres av produsenten eller et godkjent serviceverksted.

2.2 Sikkerhetsanvisninger for borhammere

Sikkerhetsanvisninger for alt arbeid

- ▶ **Bruk hørselsvern.** Påvirkning av støy kan føre til hørselstap.
- ▶ **Bruk håndtakene som leveres med maskinen.** Tap av kontroll kan føre til skader.
- ▶ **Hold maskinen i de isolerte håndtakene når du utfører arbeid der verktøyet kan komme i kontakt med elektriske ledninger.** Kontakt med en spenningsførende ledning kan også sette maskinens metalldeleer under spenning og føre til elektrisk støt.

2.3 Ytterligere sikkerhetsanvisninger for meiselhammer

Personsikkerhet

- ▶ Bruk produktet og tilbehøret bare i teknisk feilfri stand.
- ▶ Ikke foreta manipulering eller endring av produktet eller tilbehør.
- ▶ Bruk om mulig transportvognen eller andre transportmidler. Produktet bør alltid bæres av to personer dersom transportvogn eller andre transportmidler ikke er tilgjengelig. Vær oppmerksom på at produktet pluss transportvogn utgjør en betydelig vekt.
- ▶ Sørg for at du står støtt ved meisling i tak, vegger og gulv. Du kan miste balansen ved et plutselig gjennombrudd!
- ▶ Ved gjennombruddsarbeider må området på den andre siden sikres. Deler som brytes ut, kan falle ut og/eller ned og skade andre personer.
- ▶ Du og andre som oppholder seg i nærheten skal ha på vernebriller, hjelm, hørselsvern og en lett ansiktsmaske ved bruk av produktet.
- ▶ Støv som oppstår ved sliping, smergling, kapping og boring kan inneholde farlige kjemikalier. Noen eksempler er: bly eller blybasert maling; tegl, betong og andre murverksprodukter, naturstein og andre silikatholdige produkter; bestemte tresorter, slik som eik, bøk og kjemisk behandlet trevirke; asbest eller asbestholdige materialer. Kartlegg hvor eksponert brukeren og personer i nærheten er ved hjelp av fareklassen til materialene som det arbeides med. Treff nødvendige tiltak for å holde eksponeringen på et trygt nivå, f.eks. ved å bruke et støvoppsamlingsystem eller egnet åndedrettsvern. Til de generelle tiltakene for å redusere eksponeringen hører:
 - ▶ arbeid i et godt ventilert område,
 - ▶ unngå langvarig kontakt med støv,
 - ▶ led bort støv fra ansikt og kropp,
 - ▶ bruk verneutstyr og vask eksponerte områder med vann og såpe.
- ▶ Bruk vernehansker ved skifte av verktøy. Berøring av innsatsverktøyet kan føre til kuttskader og forbrenninger.
- ▶ Fare for personskade på grunn av verktøy og/eller tilbehør som faller ned. Kontroller før arbeidet påbegynnes at batteri og monterte tilbehør er godt festet.
- ▶ Hold alltid ventilasjonsåpningene rene. Fare for forbrenning hvis ventilasjonsåpningene er blokkert!
- ▶ Bruk øyevern. Splintret materiale kan skade kroppen og øynene.
- ▶ Ta hyppige pauser og gjør øvelser for å øke blodgjennomstrømningen i fingrene. Ved langvarig arbeid kan kraftige vibrasjoner føre til forstyrrelser i blodkar eller nervesystemet i fingre, hender eller håndledd.
- ▶ Sørg for at produktet står støtt til enhver tid. Plasser produktet alltid på et jevnt og stabilt underlag fritt for vibrasjoner og rystelser.

Elektrisk sikkerhet

- ▶ Kontroller før arbeidet påbegynnes at det ikke finnes skjulte strømledninger, gass- eller vannrør i arbeidsområdet. Utvendige metalldeleer på produktet kan forårsake elektrisk støt eller en eksplosjon dersom du skader en strømledning, et gass- eller vannrør.

Forsiktig behandling og bruk av elektroverktøy

- ▶ Vent til elektroverktøyet har stanset helt før du legger det fra deg.
- ▶ Ikke slå på produktet før det er i arbeidsposisjon.



2.4 Aktsom håndtering og bruk av batterier

- ▶ **Ta hensyn til følgende sikkerhetsanvisninger for sikker håndtering og bruk av li-ion-batterier.** Manglende overholdelse kan føre til hudirritasjoner, alvorlige korrosive skader, kjemiske forbrenninger, brann og/eller eksplosjoner.
- ▶ Bruk kun batterier i teknisk feilfri stand.
- ▶ Behandle batterier med omhu for å unngå skader og forhindre at svært helseskadelige væsker lekker ut!
- ▶ Batterier må under ingen omstendigheter modifiseres eller manipuleres!
- ▶ Batteriene må ikke tas fra hverandre, klemmes, varmes opp over 80 °C (176 °F) eller brennes.
- ▶ Ikke bruk eller lad opp batterier som har vært utsatt for et støt eller er skadd på annen måte. Kontroller batteriene regelmessig for å se etter tegn på skader.
- ▶ Bruk aldri resirkulerte eller reparerte batterier.
- ▶ Ikke bruk batteriet eller et batteridrevet elektroverktøy som slagverktøy.
- ▶ Utsett aldri batterier for direkte sollys, høy temperatur, gnistdannelse eller åpen flamme. Dette kan føre til eksplosjoner.
- ▶ Ikke berør batteripolene med fingrene, verktøy, smykker eller andre elektrisk ledende gjenstander. Dette kan skade batteriet samt forårsake materielle skader og personskader.
- ▶ Hold batteriene unna regn, fuktighet og væsker. Hvis fuktighet trenger inn, kan dette føre til kortslutning, elektrisk støt, forbrenninger, brann og eksplosjoner.
- ▶ Bruk kun ladere og elektroverktøy som er beregnet på denne batteritypen. Følg i den forbindelse opplysningene i de tilhørende bruksanvisningene.
- ▶ Ikke bruk eller oppbevar batteriet i eksplosjonsfarlige omgivelser.
- ▶ Hvis batteriet er for varmt til at du kan ta på det, kan det være defekt. Plasser batteriet på et synlig, ikke brennbar sted med tilstrekkelig avstand til brennbare materialer. La batteriet kjøln. Hvis batteriet fremdeles er for varmt til at du kan ta på det etter en time, er det defekt. Kontakt **Hilti** service eller les dokumentet "Informasjon om sikkerhet og bruk av **Hilti** li-ion-batterier".

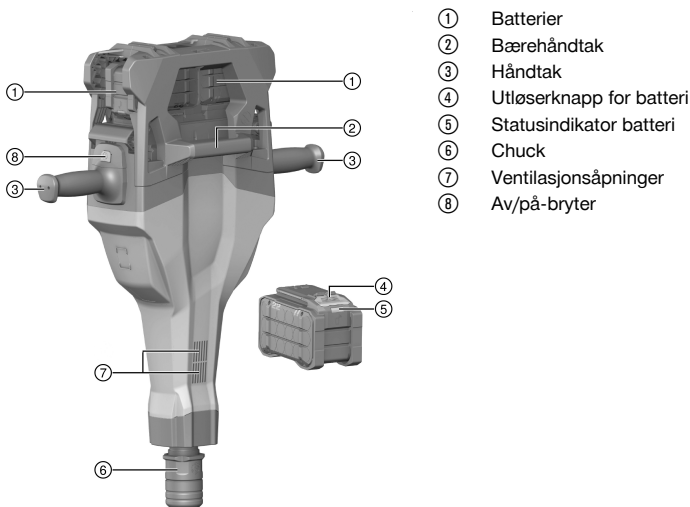


Ta hensyn til spesielle retningslinjer som gjelder for transport, lagring og bruk av litium-ion-batterier.
→ Side 58

Les informasjonen om sikkerhet og bruk av **Hilti** li-ion-batterier, som du finner ved å skanne QR-koden bakerst i denne bruksanvisningen.

3 Beskrivelse

3.1 Produktoversikt



3.2 Oversikt transportvogn og koffert B22/C (XL) (ekstraustyr) 2

- | | |
|---|-------------------------------|
| ① Håndtak | ⑦ Hjulsikring (skive, splint) |
| ② Lastsikring | ⑧ Maskinfestetapp |
| ③ Låsebøyle | ⑨ Bærehåndtak |
| ④ Lås til batterikoffert B22/C (XL) | ⑩ Batteri |
| ⑤ Holder for forbruksmateriell (meisel) | ⑪ Lader |
| ⑥ Hjul | ⑫ Koffert B22/C (XL) |

3.3 Forskriftsmessig bruk

Det beskrevne produktet er en håndholdt batteridrevet meiselhammer. Den er beregnet for meisling av betong, mur og asfalt. Den kan også brukes til stamping og graving.

Produktet skal bare brukes i retning bakken.

- Til dette produktet må det bare benyttes **Hilti** Nuron Li-Ion-batterier i serien B 22. For optimal ytelse anbefaler **Hilti** å bruke batteriene som er angitt i tabellen på slutten av denne bruksanvisningen til produktet.
- Til disse batteriene må det bare brukes **Hilti**-ladere i seriene som er omtalt i tabellen bakerst i denne bruksanvisningen.

3.4 Feilbruk

- Produktet må ikke brukes til arbeid i fuktige omgivelser.
- Ikke bruk produktet der det er brann- eller eksplosjonsfare.
- Det må ikke arbeides med helsefarlige materialer (for eksempel asbest).
- Produktet må ikke transporteres med kran.
- Ikke arbeid i stige.
- Produktet må ikke brukes i horisontal arbeidsretning mot vegg.
- Ikke benytt verktøysnor.

3.5 Active Vibration Reduction

Produktet er utstyrt med et Active Vibration Reduction (AVR)-system som reduserer vibrasjonen merkbart.

3.6 Dette inngår i leveransen:

Batteridrevet meiselhammer, bruksanvisning, fett

Transportvogn og koffert til batterier og lader tilbys som tilbehør.

I tillegg finner du godkjente systemprodukter til produktet hos nærmeste **Hilti Store** eller under: www.hilti.group

3.7 Indikatorer for li-ion-batteriet

Hilti Nuron Li-ion-batterier kan indikere ladetilstand, feilmeldinger og batteriets tilstand.

3.7.1 Indikatorer for ladetilstand og feilmeldinger



ADVARSEL

Fare for personskader på grunn av batteri som faller ned!

- ▶ Når du har satt i batteriet og trykt på låseknappen, må du kontrollere at batteriet igjen klikker på plass i produktet som brukes.

For å få frem en av følgende indikatorer trykker du kort på batteriets utløserknapp.

Ladetilstanden samt eventuelle feil indikeres også hele tiden så lenge det tilkoblede produktet er slått på.

Tilstand	Betydning
Fire (4) lysdioder (LED) lyser konstant grønt	Ladetilstand: 100 % til 71 %
Tre (3) lysdioder (LED) lyser konstant grønt	Ladetilstand: 70 % til 51 %
To (2) lysdioder (LED) lyser konstant grønt	Ladetilstand: 50 % til 26 %



Tilstand	Betydning
Én (1) lysdiode (LED) lyser konstant grønt	Ladetilstand: 25 % til 10 %
Én (1) lysdiode (LED) blinker langsomt grønt	Ladetilstand: < 10 %
Én (1) lysdiode (LED) blinker raskt grønt	Li-ion-batteriet er helt utladet. Lad batteriet. Hvis lysdioden fortsatt blinker raskt etter at batteriet er ladet, kontakter du Hilti service.
Én (1) lysdiode (LED) blinker raskt gult	Li-ion-batteriet eller det tilkoblede produktet er overbelastet, for varmt eller for kaldt eller det foreligger en annen feil. Bring produktet og batteriet til anbefalt arbeidstemperatur, og ikke overbelast produktet når du bruker det. Hvis meldingen vedvarer, kontakter du Hilti service.
Én (1) lysdiode (LED) lyser gult	Li-ion-batteriet og det tilkoblede produktet er ikke kompatible. Kontakt Hilti service.
Én (1) lysdiode (LED) blinker raskt rødt	Li-ion-batteriet er sperret og kan ikke brukes lenger. Kontakt Hilti service.

3.7.2 Indikering av batteriets tilstand

For å sjekke tilstanden til batteriet holder du utløserknappen inne i over tre sekunder. Systemet registrerer ikke mulige funksjonsfeil på batteriet som følge av skjødesløs bruk, som f.eks. at det er mistet ned, er påført hull eller skader forårsaket av eksterne varmekilder osv.

Tilstand	Betydning
Alle LED-ene lyser som løpelys og deretter lyser én (1) LED konstant grønt.	Batteriet kan brukes videre.
Alle LED-ene lyser som løpelys og deretter blinker én (1) LED raskt gult.	Kartlegging av batteriets tilstand kunne ikke fullføres. Gjenta prosedyren eller kontakt Hilti service.
Alle LED-ene lyser som løpelys og deretter lyser én (1) LED konstant rødt.	Hvis et tilkoblet produkt fortsatt kan brukes, er den gjenværende batterikapasiteten under 50 %. Hvis et tilkoblet produkt ikke lenger kan brukes, er batteriets levetid over og batteriet må skiftes ut. Kontakt Hilti service.

4 Batteridrevet meiselhammer

	TE 2000-22
Vekt i henhold til EPTA Procedure 01 uten batteri	17,4 kg
Enkeltlagenergi (EPTA-Procedure 05)	38,2 J
Omgivelsestemperatur under drift	-17 °C ... 60 °C
Lagringstemperatur	-20 °C ... 70 °C

4.1 Batteri

Batteriets driftsspenning	21,6 V
Vekt batteri	Se bakerst i bruksanvisningen
Omgivelsestemperatur under drift	-17 °C ... 60 °C
Lagringstemperatur	-20 °C ... 40 °C
Batteritemperatur ved ladestart	-10 °C ... 45 °C



4.2 Støyinformasjon og vibrasjonsverdier iht. EN 62841

Lydtrykk- og vibrasjonsverdiene som er angitt i denne bruksanvisningen, er målt i samsvar med en normert målemetode og kan brukes til sammenligning av elektroverktøy. De egner seg også til en foreløpig vurdering av eksponeringene.

De angitte dataene representerer de viktigste bruksområdene for elektroverktøyet. Men hvis elektroverktøyet brukes til andre formål, med avvikende innsatsverktøy eller med utilstrekkelig vedlikehold, kan dataene avvike. Dette kan øke eksponeringene betraktelig gjennom hele arbeidsperioden.

For å få en nøyaktig vurdering av eksponeringene må man også ta hensyn til tidsrommene da maskinen er slått av eller er i gang, men ikke i drift. Dette kan redusere eksponeringene betraktelig gjennom hele arbeidsperioden.

Fastsett ekstra sikkerhetstiltak for å beskytte operatøren mot effekten av støy og/eller vibrasjoner, for eksempel: Vedlikehold av elektroverktøy og innsatsverktøy, holde hendene varme, organisering av arbeidsprosesser.

Støyinformasjon

Målt lydeffektnivå (L_{WA})	98 dB(A)
Usikkerhet lydeffektnivå (K_{WA})	3 dB(A)
Avgitt lydtrykknivå (L_{pA})	87 dB(A)
Usikkerhet lydtrykknivå (K_{pA})	3 dB(A)

Totale vibrasjonsverdier

Meisling ($a_{h, Chet}$)	B 22-170	3,8 m/s ²
	B 22-255	3,8 m/s ²
Usikkerhet (K)		1,5 m/s ²

5 Klargjøring til arbeidet

ADVARSEL

Fare for personskader på grunn av utilsiktet start!

- ▶ Kontroller at det tilhørende produktet er slått av før du setter inn batteriene.
- ▶ Fjern batteriene før du foretar maskininnstillinger eller skifter tilbehørsdeler.

Følg sikkerhetshenvisningene og advarslene i denne dokumentasjonen og på produktet.

5.1 Lade batterier

1. Les bruksanvisningen for laderen før lading.
2. Kontaktene på batteriet og laderen må være rene og tørre.
3. Lad opp batteriet i en godkjent lader. → Side 54

5.2 Sette inn batterier

ADVARSEL

Fare for personskader på grunn av kortslutning eller ved at batteriet faller ned!

- ▶ Før du setter inn batteriene må du kontrollere at kontaktene på batteriet eller kontaktene på produktet er uten fremmedlegemer.
- ▶ Påse at batteriene alltid kommer riktig på plass.

1. Lad batteriene helt opp før første gangs bruk.
2. Skyv batteriene inn produktet til du hører at de smekker på plass.
3. Kontroller at batteriene sitter godt fast.

5.3 Ta ut batteri

1. Trykk på batteriets opplåsningsknapp.
2. Trekk batteriet ut av produktet.



6 Betjening

Følg sikkerhetsanvisningene og advarslene i denne dokumentasjonen og på produktet.

6.1 Sette i innsatsverktøy

1. Smør innstikkenden til innsatsverktøyet med litt fett.



Bruk av uegnet fett kan føre til skade på produktet. **Bruk bare originalfett fra Hilti.**

2. Sett innsatsverktøyet inn i chucken og vri det samtidig som du trykker lett på det, inntil det festes hørbart.
3. Trekk i verktøyet for å forsikre deg om at det er godt festet.

6.2 Ta ut innsatsverktøyet

FORSIKTIG

Fare for personskader! Innsatsverktøyet kan være varmt og/eller ha skarpe kanter.

- ▶ Bruk vernehansker når du skifter innsatsverktøy.
- ▶ Ikke legg et varmt innsatsverktøy på brennbare underlag.

1. Trekk verktøylåsen tilbake til anslag.
2. Ta ut innsatsverktøyet.

6.3 Betjening

Følg sikkerhetsanvisningene og advarslene i denne dokumentasjonen og på produktet.

Få byggeledelsen til å godkjenne det fulle omfanget av arbeidene.

6.3.1 Meisling

1. Sett meiselen i ønsket posisjon.
2. Trykk på av/på-bryteren.



Jobbing ved lave temperaturer:

Produktet krever en minste driftstemperatur før slagmekanismen fungerer. Dette oppnås ved å sette produktet på bakken en kort stund og la det gå på tomgang. Gjenta om nødvendig prosessen til slagmekanismen fungerer.

6.3.2 Slå av

- ▶ Trykk på av/på-bryteren.

6.3.3 Arbeidsmerknader



Meiselen kan sperres i 6 ulike posisjoner (i trinn på 60°). Derfor kan man alltid finne den optimale arbeidsstillingen når man jobber med flat- og forrmeisel.

- ▶ Sett an meiselen cirka 80-100 mm (3 1/8" - 4") fra kanten.
- ▶ I nærheten av armeringsjern fører du alltid meiselen mot kanten av materialet, ikke mot armeringsjernet.
- ▶ Begynn meislingen med en vinkel på 90° i forhold til betongoverflaten og rett spissen mot kanten. Beveg deretter vinkelen i retning 70 til 80° og bryt av materialet.
- ▶ Drei meiselen regelmessig, ettersom jevn slitasje støtter selvsliplingsprosessen.
- ▶ For lavt presstrykk fører til at meiselen hopper. For høyt presstrykk fører til at meiseeffekten blir mindre.

7 Transportvogn og koffert B22/C (XL)

7.1 Transport

Transportvognen sikrer trygg transport av meiselhammeren.

Kofferten B22/C (XL) sikrer trygg transport av lader og batteri.

- Sørg for at transportvognen står støtt.
- Plasser produktet på maskinfestetappen, og sikre det alltid med låsebøylen under transport.



- Plasser kofferten B22/C (XL) på transportvognen og sikre den med låsen.
- Sørg for sikre transportveier.
- Ikke parker transportvognen på et skrått underlag.
- Ikke transporter transportvognen og kofferten B22/C (XL) med kran.
- Sett meiselen i den tilhørende holderen til den går i lås.
- Sørg for sikre transportveier.
- Ikke parker transportvognen på et skrått underlag.
- Ikke transporter transportvognen og kofferten B22/C (XL) med kran.

8 Pleie og vedlikehold

ADVARSEL

Fare for personskader med innsatte batterier !

- ▶ Ta alltid ut batteriene før alle pleie- og vedlikeholdsarbeider!
-

Pleie av produktet

- Fjern gjenstridig smuss forsiktig.
- Hvis du har tilgang på en tørr børste, rengjør du ventilasjonsåpningene forsiktig med den.
- Rengjør huset bare med en lett fuktet klut. Ikke bruk silikonholdige pleiemidler, ettersom dette kan angripe plastdelene.

Pleie av li-ion-batterier

- Bruk aldri et batteri med tilstoppede ventilasjonsåpninger. Rengjør ventilasjonsåpningene forsiktig med en tørr og myk børste.
- Unngå at batteriet unødig utsettes for støv eller smuss. Utsett aldri batteriet for høy fuktighet (f.eks. ved å senke det ned i vann eller la det stå i regn).
Hvis et batteri blir gjennomvått, skal du behandle det som et skadd batteri. Isoler det i en ikke-brennbar beholder og kontakt **Hilti** service.
- Hold batteriet fritt for olje og fett. Ikke la unødig støv eller smuss samle seg på batteriet. Rengjør batteriet med en tørr og myk børste eller en ren og tørr klut.
Ikke bruk silikonholdige pleiemidler, ettersom dette kan angripe plastdelene.
- Rengjør huset bare med en lett fuktet klut. Ikke bruk silikonholdige pleiemidler, ettersom dette kan angripe plastdelene.

Vedlikehold

- Kontroller alle synlige deler regelmessig med henblikk på skade og at alle betjenings-elementer fungerer som de skal.
 - Ved skader og/eller funksjonsfeil må produktet ikke brukes. Få produktet reparert av **Hilti** service snarest mulig.
 - Etter pleie- og vedlikeholdsarbeider må alle beskyttelsesinnretninger monteres, og det må foretas funksjonskontroll av dem.
-



Av hensyn til sikkerheten må du bare bruke originale reservedeler og forbruksmateriell. Reservedeler, forbruksmateriell og tilbehør til produktet som er godkjent av oss, finner du hos nærmeste **Hilti Store** eller under: www.hilti.group.

9 Transport og lagring av batteriverktøy og batterier

Transport

FORSIKTIG

Utisiktet start under transport !

- ▶ Transporter alltid produktene dine uten batterier!
- ▶ Ta ut batteri(er).
- ▶ Batterier må aldri transporteres løst. Under transport må batteriene beskyttes mot kraftige støt og vibrasjoner og isoleres fra ledende materialer og andre batterier, slik at de ikke kan komme i berøring med andre batteripoler og dermed forårsake kortslutning. **Følg lokale transportforskrifter for batterier.**
- ▶ Batterier må ikke sendes i posten. Kontakt et transportfirma hvis du vil sende uskadde batterier.



- ▶ Kontroller produkt og batterier med henblikk på skader før hver bruk samt før og etter lengre transport.

Lagring



ADVARSEL

Utsikket skade på grunn av defekte batterier eller lekkasje fra batterier !

- ▶ Oppbevar alltid produktene dine uten batterier!
-
- ▶ Oppbevar produkt og batterier kjølig og tørt. Ta hensyn til temperaturrensene som er angitt under tekniske data.
 - ▶ Ikke oppbevar batterier på laderen. Ta alltid batteriet ut av laderen etter ferdig lading.
 - ▶ Batterier må aldri oppbevares i solen, på varmekilder eller bak glass.
 - ▶ Oppbevar produktet og batterier utenfor barns og uvedkommedes rekkevidde.
 - ▶ Kontroller produkt og batterier med henblikk på skader før hver bruk samt før og etter lengre tids lagring.

10 Feilsøking

Ved alle feil må du sjekke batteriets indikator for ladetilstand og feil. Se kapittelet **Indikatorer for li-ion-batteriet**.

Ved feil som ikke står i denne tabellen eller som du selv ikke kan utbedre, må du kontakte **Hilti service**.

Feil	Mulig årsak	Løsning
Batteriet klikker ikke på plass.	Festetapp på batteri eller maskingrensesnitt tilsmusset.	▶ Rengjør festetappene og sett inn batteriene på nytt.
Batteriet blir tomt raskere enn vanlig.	Batteriets tilstand er ikke optimal.	▶ Sjekk batteriets tilstand. → Side 54
Produktet starter ikke.	Det er kun satt inn ett ladet batteri.	▶ Sett inn det andre ladede batteriet.
Slageffekt uteblir.	Produktet er for kaldt.	▶ Sett produktet på underlaget og la det gå på tomgang. Gjenta om nødvendig til slagverket fungerer.
Sterk varmeutvikling i produktet eller batteriet.	Elektrisk feil.	▶ Slå av produktet umiddelbart. Ta ut batteriene og undersøk dem. La dem kjøle. Kontakt Hilti service .
Produktet slår seg av under drift eller starter ikke	Produktet/batteriene er for varme eller batteriene er for kalde.	▶ Slå av maskinen og la den og batteriene kjøle. ▶ Batterier for kalde. Sørg for at batteriene får anbefalt driftstemperatur.

11 Kassering



ADVARSEL

Fare for personskade ved ikke-forskriftsmessig kassering! Gasser eller væsker som lekker ut, utgjør en helsefare.

- ▶ Ikke send skadde batterier i posten eller på annen måte!
- ▶ Dekk til kontaktene med et ikke-ledende materiale for å unngå kortslutning.
- ▶ Kasser batterier slik at de er utilgjengelige for barn.
- ▶ Lever inn batteriet i nærmeste **Hilti Store**, eller kontakt et lokalt renovasjonsfirma.

Hilti produkter er i stor grad laget av gjenvinnbare materialer. Riktig materialsortering er en forutsetning for gjenvinning. I mange land tar **Hilti** imot ditt gamle apparat for gjenvinning. Spør **Hilti** kundeservice eller forhandleren.



- ▶ Kast aldri elektroverktøy, elektronisk utstyr eller batterier i husholdningsavfallet!



12 Produsentgaranti

- ▶ När det gjelder spørsmål om garantibetingelser, ber vi deg kontakte din lokale **Hilti**-partner.

13 Ytterligere informasjon

Du finner mer informasjon om betjening, teknologi, miljø og resirkulering under følgende lenke: qr.hilti.com/manual/?id=2301751&id=2301753

Denne lenken finner du også som QR-kode bakerst i dokumentasjonen.

Alkuperäiset ohjeet

1 Dokumentaation tiedot

1.1 Tästä dokumentaatiosta

- Lue ehdottomasti tämä dokumentaatio ennen tuotteen käyttöönottoa. Se on turvallisen työn teon ja tuotteen ongelmattoman käsittelyn perusedellytys.
- Noudata tässä dokumentaatiossa ja tuotteessa olevia turvallisuus- ja varoitushuomautuksia.
- Säilytä käyttöohje aina tuotteen yhteydessä ja varmista, että käyttöohje on mukana, kun luovutat tuotteen toiselle henkilölle.

1.2 Merkkien selitykset

1.2.1 Varoitushuomautukset

Varoitushuomautukset varoittavat tuotteen käyttöön liittyvistä vaaroista. Seuraavia varoitustekstejä käytetään:

VAKAVA VAARA

VAKAVA VAARA !

- ▶ Varoittaa uhkaavasta vaaratilanteesta, josta voi seurauksena olla vakava loukkaantuminen tai jopa kuolema.

VAARA

VAARA !

- ▶ Varoittaa mahdollisesta vaarasta, josta voi seurauksena olla vakava loukkaantuminen tai kuolema.







VAROITUS

HUOMIO !

- ▶ Varoittaa mahdollisesta vaaratilanteesta, josta voi seurata loukkaantuminen tai aineellinen vahinko.

1.2.2 Symbolit käyttöohjeessa

Tässä käyttöohjeessa käytetään seuraavia symboleita:

	Noudata käyttöohjetta
	Toimintaohjeita ja muuta hyödyllistä tietoa
	Kierrätyskelpoisten materiaalien käsittely
	Älä hävitä sähkölaitteita ja akkuja tavallisen sekajätteen mukana
	Hilti Litiumioniakku
	Hilti Laturi



1.2.3 Symbolit kuvissa

Kuvissa käytetään seuraavia symboleita:

	Nämä numerot viittaavat vastaavaan kuvaan tämän käyttöohjeen alussa.
3	Numerointi kertoo työvaiheiden järjestyksen kuvissa ja saattaa poiketa numeroinnista tekstissä.
	Kohtanumeroita käytetään kuvassa Yleiskuva , ja ne viittaavat kuvatekstien numerointiin kappaleessa Tuoteyhteenveto .
	Tämän merkin tarkoitus on kiinnittää erityinen huomiosi tuotteen käyttöön ja käsittelyyn.

1.3 Tuotekohtaiset symbolit

1.3.1 Symbolit tuotteessa

Tuotteessa voidaan käyttää seuraavia symboleita:

	Nosturilla kuljettaminen kielletty
	Tämä tuote tukee iOS- ja Android-alustojen kanssa yhteensopivaa NFC-tekniologiaa.
Li-Ion	Litiumioniakku
	Älä koskaan käytä akkua lyöntityökaluna.
	Älä päästä akkua putoamaan. Älä käytä akkua, johon on kohdistunut isku tai joka on muutoin vaurioitunut.

1.4 Tuotetiedot

HILTI -tuotteet on tarkoitettu ammattikäyttöön, ja niitä saa käyttää, huoltaa tai korjata vain valtuutettu, koulutettu henkilö. Käyttäjän pitää olla hyvin perillä käyttöön liittyvistä vaaroista. Tuote ja sen varusteet saattavat aiheuttaa vaaratilanteita, jos kokemattomat henkilöt käyttävät tuotetta ohjeiden vastaisesti tai muutoin asiattomasti.

Tyypimerkinnän ja sarjanumeron löydät tyyppikilvestä.

- Kirjoita sarjanumero oikeeseen taulukkoon. Tuotteen tiedot tarvitaan, jos esität kysymyksiä myynti- tai huoltoedustajallemme.

Tuotetiedot

Piikkausvasara	TE 2000-22
Sukupolvi	01
Sarjanumero	

1.5 Vaatimustenmukaisuusvakuutus

Valmistaja vakuuttaa, että tässä kuvattu tuote täyttää sitä koskevien voimassa olevien lakien ja standardien vaatimukset. Kuva vaatimustenmukaisuusvakuutuksesta on tämän dokumentaation lopussa.

Tekninen dokumentaatio löytyy tästä:

Hilti Entwicklungsgesellschaft mbH | Zulassung Geräte | Hiltistraße 6 | 86916 Kaufering, DE

2 Turvallisuus

2.1 Sähkötyökaluja koskevat yleiset turvallisuusohjeet

⚠ VAKAVA VAARA Lue kaikki turvallisuus- ja käyttöohjeet, selostukset ja tekniset tiedot, jotka liittyvät tähän sähkötyökaluun. Seuraavien ohjeiden noudattamatta jättäminen saattaa johtaa sähköiskuun, tulipaloon ja/tai vakavaan loukkaantumiseen.

Säilytä kaikki turvallisuus- ja käyttöohjeet huolellisesti vastaisen varalle.

Turvallisuusohjeissa käytetty käsite "sähkötyökalu" tarkoittaa verkkokäyttöisiä sähkötyökaluja (joissa verkkojohto) ja akkukäyttöisiä sähkötyökaluja (joissa ei verkkojohtoa).



Työpaikan turvallisuus

- ▶ **Pidä työskentelyalue siistinä ja hyvin valaistuna.** Työpaikan epäjärjestys ja valaisemattomat työalueet voivat johtaa tapaturmiin.
- ▶ **Älä käytä sähkötyökäluu räjähdysalittiissa ympäristössä, jossa on syttyvää nestettä, kaasua tai pölyä.** Sähkötyökäluu synnyttävät kipinöitä, jotka saattavat sytyttää pölyn tai höyryt.
- ▶ **Pidä lapset ja sivulliset loitolla sähkötyökäluu käyttäessäsi.** Voit menettää koneen hallinnan huomiosi suuntautuessa muualle.

Sähköturvallisuus

- ▶ **Sähkötyökäluun pistokkeen pitää sopia pistorasiaan.** Pistoketta ei saa muuttaa millään tavalla. **Älä käytä pistorasia-adapttereita suojamaadotettujen sähkötyökäluujen yhteydessä.** Alkuperäisessä kunnossa olevat pistokkeet ja sopivat pistorasiat vähentävät sähköiskun vaaraa.
- ▶ **Vältä koskettamasta sähköä johtaviin pintoihin kuten putkiin, pattereihin, liesiin ja jääkaappeihin.** Sähköiskun vaara kasvaa, jos kehosi maadottuu.
- ▶ **Älä aseta sähkötyökäluu alttiiksi sateelle tai kosteudelle.** Veden tunkeutuminen sähkötyökäluun sisään lisää sähköiskun vaaraa.
- ▶ **Älä kannata tai ripusta sähkötyökäluu verkkojohdostaan äläkä vedä pistoketta irti pistorasiasta johdosta vetämällä.** Pidä johto loitolla kuumuudesta, öljystä, terävistä reunoista ja liikkuvista osista. Vahingoittuneet tai toisiinsa kietoutuneet johdot lisäävät sähköiskun vaaraa.
- ▶ **Kun käytät sähkötyökäluu ulkona, käytä ainoastaan ulkokäyttöön soveltuvia jatkojohtoja.** Ulko-käyttöön soveltuvan jatkojohdon käyttö pienentää sähköiskun vaaraa.
- ▶ **Jos sähkötyökäluu on välttämätöntä käyttää kosteassa ympäristössä, käytä vikavirtasuojakytintä.** Vikavirtasuojakytimen käyttö pienentää sähköiskun vaaraa.

Henkilöturvallisuus

- ▶ **Ole valpas, kiinnitä huomiota työskentelyysi ja noudata tervettä järkeä sähkötyökäluu käyttäessäsi.** **Älä käytä sähkötyökäluu, jos olet väsynyt tai huumeiden, alkoholin tai lääkkeiden vaikutuksen alaisena.** Sähkötyökäluu käytettäessä hetkellinenkin varomattomuus saattaa aiheuttaa vakavia vammoja.
- ▶ **Käytä henkilökohtaisia suojavarusteita ja aina suojalaseja.** Henkilökohtaiset suojavarusteet, kuten hengityssuojain, luistamattomat turvajalkineet, kypärä ja kuulosuojaimet, pienentävät oikein käytettyinä loukkaantumisriskiä sähkötyökäluun käyttötilanteesta riippuen.
- ▶ **Varo tahatonta käynnistämistä.** Varmista, että sähkötyökäluu on kytketty pois päältä, ennen kuin liität sen verkkovirtaan ja/tai liität siihen akun, otat sen käteesi tai kannat sitä. Jos kannat sähkötyökäluu sormi käyttökytkimellä tai liität pistokkeen pistorasiaan käyttökytkimen ollessa käyntiasennossa, altistat itsesi onnettomuuksille.
- ▶ **Poista kaikki säätötyökäluu ja ruuvitalat, ennen kuin käynnistät sähkötyökäluu.** Työkäluu tai avain, joka sijaitsee koneen pyöriivässä osassa, saattaa johtaa loukkaantumiseen.
- ▶ **Vältä vaikeita työskentelyasentoja.** Varmista aina tukeva seisoma-asento ja tasapaino. Siten voit paremmin hallita sähkötyökäluu odottamattomissa tilanteissa.
- ▶ **Käytä työhösi soveltuvia vaatteita.** Älä käytä löysiä työvaatteita tai koruja. Pidä hiukset, vaatteet ja käsineet loitolla liikkuvista osista. Väljät vaatteet, korut ja pitkät hiukset voivat takertua liikkuviin osiin.
- ▶ **Jos pölynpoisto- ja keräilylaitteita voidaan asentaa, sinun on tarkastettava, että ne on liitetty oikein ja että niitä käytetään oikealla tavalla.** Pölynpoistovarustuksen käyttö vähentää pölyn aiheuttamia vaaroja.
- ▶ **Älä tuudittaudu virheelliseen turvallisuuden tunteeseen äläkä laiminlyö sähkötyökäluu koskevia turvallisuusohjeita silloinkaan, kun mielestäsi jo olet kokenut sähkötyökäluu käyttäjä.** Harkitsema-ton ja huolimaton toiminta voi sekunnin murto-osissa johtaa vakaviin loukkaantumisiin.

Sähkötyökäluu käyttö ja käsittely

- ▶ **Älä ylikuormita konetta.** Käytä kyseiseen työhön tarkoitettua sähkötyökäluu. Sopivaa sähkötyökäluu käyttäen työskentelet paremmin ja varmemmin tehoalueella, jolle sähkötyökäluu on tarkoitettu.
- ▶ **Älä käytä sähkötyökäluu, jonka käyttökytkin ei toimi.** Sähkötyökäluu, jota ei enää voida käynnistää ja pysäyttää käyttökytkimellä, on vaarallinen ja se täytyy korjata.
- ▶ **Irrota pistoke pistorasiasta ja/tai irrota akku ennen kuin muutat säätöjä, vaihdat terää tai lisävarusteita ja kun lopetat koneen käyttämisen.** Tämä turvatoimenpide estää sähkötyökäluun tahattoman käynnistysriskin.
- ▶ **Säilytä sähkötyökäluu poissa lasten ulottuvilta, kun niitä ei käytetä.** Älä anna toisten henkilöiden käyttää konetta, elleivät he ole perehtyneet sen käyttöön ja lukeneet käyttöohjeita. Sähkötyökäluu ovat vaarallisia, jos niitä käyttävät kokemattomat henkilöt.
- ▶ **Hoida sähkötyökäluu ja niiden varusteita huolella.** Tarkasta, että liikkuvat osat toimivat moitteettomasti eivätkä ole puristuksissa, ja tarkasta myös, ettei sähkötyökäluussa ole murtuneita tai vaurioituneita osia, jotka saattaisivat haitata sen toimintaa. Korjauta vaurioituneet osat ennen



koneen käyttämistä. Usein loukkaantumisten ja tapaturmien syynä on sähkötyökalujen laiminlyöty huolto.

- ▶ **Pidä terät terävinä ja puhtaina.** Huolella hoidetut terät, joiden leikkausreunat ovat teräviä, eivät jumitu herkästi, ja niillä työnteke on kevyempää.
- ▶ **Käytä sähkötyökalua, lisävarusteita ja tarvikkeita, teriä jne. niiden käyttöohjeiden mukaisesti. Ota tällöin työolosuhteet ja suoritettava työtehtävä huomioon.** Sähkötyökalun käyttö muuhun kuin sille tarkoitettuun käyttöön saattaa johtaa vaarallisiin tilanteisiin.
- ▶ **Pidä käsikahvat ja tartuntapinnat kuivina, puhtaina, öljyttöminä ja rasvattomina.** Jos käsikahvat tai tartuntapinnat ovat liukkaat, sähkötyökalun turvallinen käyttö ja hallinta voi yllättävissä tilanteissa olla mahdotonta.

Akkukäyttöisen sähkötyökalun käyttö ja käsittely

- ▶ **Lataa akku vain valmistajan suositamalla laturilla.** Jos laturi on tarkoitettu vain tietyn akkumallin lataamiseen, palovaara on olemassa, jos laturia käytetään muiden akkujen lataamiseen.
- ▶ **Käytä ainoastaan juuri kyseiseen sähkötyökaluun tarkoitettua akkua.** Jonkun muun akun käyttö saattaa johtaa loukkaantumiseen ja tulipaloon.
- ▶ **Pidä irrallinen akku loitolla metalliesineistä, kuten paperinliittimistä, kolikoista, avaimista, nau-loista, ruuveista tai muista pienistä metalliesineistä, jotka voivat oikosulkea akun liittimet.** Akun liittimien välinen oikosulku saattaa aiheuttaa palovammoja tai johtaa tulipaloon.
- ▶ **Väärästä käytöstä johtuen saattaa akusta vuotaa nestettä, jota ei saa koskettaa. Vältä kosketusta sen kanssa. Tarvittaessa huuhtelee kosketuskohta vedellä. Jos nestettä pääsee silmiin, tarvitaan lisäksi lääkärin apua.** Akusta vuotava neste saattaa aiheuttaa ärsytystä ja palovammoja.
- ▶ **Älä käytä akkua, joka on vaurioitunut tai johon on tehty muutoksia.** Vaurioitunut akku tai akku, jota on muutettu, saattaa käyttäytyä yllättävästi ja aiheuttaa tulipalon, räjähdysen ja vammoja.
- ▶ **Varjele akkua avotulta ja korkeilta lämpötiloilta.** Avotuli tai yli 130 °C:n (265 °F) lämpötila voi aiheuttaa räjähdysen.
- ▶ **Noudata kaikkia akun lataamisesta annettuja ohjeita, ja lataa akku tai akun sisältävä sähkötyökalu aina käyttöohjeessa mainittuja lämpötilarajoja noudattaen.** Akun virheellinen lataaminen tai lataami-nen sallittuun lämpötila-alueen lämpötiloja noudattamatta saattaa johtaa akun tuhoutumiseen ja aiheuttaa tulipalovaaran.

Huolto

- ▶ **Anna koulutettujen ammattihenkilöiden korjata sähkötyökalusi ja hyväksy korjauksiin vain alkupe-räisiä varaosia.** Siten varmistat koneen turvallisuuden säilymisen.
- ▶ **Älä koskaan yritä huoltaa vaurioitunutta akkua.** Akkujen kaikki huoltotyöt saa suorittaa vain valmistaja tai sen valtuuttama huoltopiste.

2.2 Poravasaroita koskevat turvallisuusohjeet

Turvallisuusohjeet kaikkiin töihin

- ▶ **Käytä kuulosuojaimia.** Melu saattaa heikentää kuuloasi.
- ▶ **Käytä koneen mukana toimitettuja lisäkäsikahvoja.** Koneen hallinnan menettäminen saattaa aiheuttaa loukkaantumisia.
- ▶ **Pidä koneesta kiinni vain sen eristetyistä kahvapinnoista, jos teet työtä, jossa terä saattaa osua rakenteen sisällä olevaan virtajohtoon.** Jos terä osuu virtajohtoon, koneen metalliosiin saattaa johtua virta, jolloin saatat saada sähköiskun.

2.3 Lisää piikkausvasaran turvallisuusohjeita

Henkilöturvallisuus

- ▶ Käytä vain tuotetta ja lisävarusteita, jotka ovat teknisesti moitteettomassa kunnossa.
- ▶ Älä koskaan tee tuotteeseen tai lisävarusteisiin minkäänlaisia muutoksia.
- ▶ Mahdollisuuksien mukaan käytä kuljetusvaunua tai muita kuljetusvälineitä. Tuotteen kantamiseen tarvitaan aina kaksi henkilöä, ellei käytettävissä ole kuljetusvaunua tai muuta soveltuvaa kuljetusvälinettä. Ota huomioon, että tuote ja kuljetusvaunu painavat paljon.
- ▶ Kattoa, seinää ja lattiaa piikattaessa varmista turvallinen ja varma pystyssä pysyminen. Kohteen äkillinen murtuminen voi suistaa sinut tasapainosta!
- ▶ Kun teet reikiä, varmista työstettävän kohdan taustapuoli. Putoamaan tai sinkoutumaan pääsevät palaset voivat aiheuttaa muille vammoja.
- ▶ Tuotteen käytön aikana sinun ja välittömässä läheisyydessä olevien henkilöiden on käytettävä silmäsuojaimia, suojakypärää, kuulosuojaimia ja kevyttä hengityssuojainta.



- ▶ Hiottaessa, kiillotettaessa, leikattaessa ja porattaessa syntyvä pöly saattaa sisältää vaarallisia kemikaaleja. Niistä esimerkkejä ovat: lyijy tai lyijypitoiset maalit; tiili, betoni ja muut muuraustuotteet, luonnonkivi ja muut siikaatteja sisältävät tuotteet; tietyt puulajit kuten tammi, pyökki ja kemiallisesti käsitellyt puut; asbesti tai asbestia sisältävät materiaalit. Määritä työstettävien materiaalien vaaraluokituksen perusteella käyttäjän ja lähellä olevien henkilöiden altistumisvaara. Ryhdy tarvittaviin toimenpiteisiin altistumisen pitämiseksi turvallisella tasolla, esimerkiksi käytettävä pölynkeräysjärjestelmä tai soveltuva hengityssuojainta. Altistumisen määrää pienentäviä yleisluonteisia toimenpiteitä ovat:
 - ▶ työn tekeminen hyvin tuulettuvassa tilassa,
 - ▶ pitkään kestävä pölyaltistuksen välttäminen,
 - ▶ pölyn ohjaaminen pois kasvoilta ja keholta,
 - ▶ suojavaatetuksen käyttö ja kehon altistuneiden kohtien pesu vedellä ja saippualla.
- ▶ Käytä työkaluterän vaihdossa suojakäsineitä. Työkaluterän koskettaminen saattaa aiheuttaa haavoja ja palovammoja.
- ▶ Putoamaan pääsevät työkalut ja/tai lisävarusteet aiheuttavat loukkaantumisaavaan. Ennen työn aloittamista tarkasta, että akku ja asennettu lisävaruste ovat kunnolla kiinni.
- ▶ Pidä jäähdytysilmaraot aina puhtaina. Jäähdytysilmarakojen peittyminen tai tukkeutuminen aiheuttaa palovaaran!
- ▶ Käytä suojalaseja. Sirpaleet saattavat aiheuttaa vammoja ja vahingoittaa silmiä.
- ▶ Pidä työssäsi usein taukoja, joiden aikana tee sormien verenkiertoa parantavia sormivoimisteluliikkeitä. Pitempään jatkuva työnteko saattaa tänä vuoksi aiheuttaa verenkiertohäiriöitä tai sormien, käsien ja ranteiden hermokipuja.
- ▶ Varmista aina tuotteen turvallinen paikallaan pysyminen. Laske tuote aina tasaiselle, tukevalle ja tärinättömälle pinnalle.

Sähköturvallisuus

- ▶ Tarkasta ennen työn aloittamista, onko työskentelyalueella rakenteiden sisälle asennettuja sähköjohtoja tai kaasu- ja vesiputkia. Tuotteen ulkopinnan metalliosista saatat saada sähköiskun tai aiheuttaa räjähdyksen, jos vahingossa osut sähköjohtoon, kaasuputkeen tai vesiputkeen.

Sähkötökalujen käyttö ja hoito

- ▶ Odota, että sähkötyökalu on täysin pysähtynyt, ennen kuin lasket sen kädestäsi.
- ▶ Kytke tuote päälle vasta, kun olet juuri aloittamassa työn.

2.4 Akkujen käyttö ja hoito

- ▶ **Noudata seuraavia turvallisuusohjeita, jotka varmistavat litiumioniakkujen turvallisen käsittelyn ja käytön.** Ohjeiden noudattamatta jättäminen saattaa aiheuttaa ihoärsytystä, vakavia syöpymisvammoja, kemiallisia palovammoja, tulipalon ja/tai räjähdyksen.
- ▶ Käytä vain akkua, joka on teknisesti moitteettomassa kunnossa.
- ▶ Käsittele akkuja huolellisesti, jotta vältät vauriot ja terveydelle vakavasti vaarallisten nesteiden vuotamisen ulos!
- ▶ Akkuja ei saa mitenkään muuttaa tai manipuloida!
- ▶ Akkuja ei saa avata, puristaa, kuumentaa lämpötilaan yli 80 °C (176 °F) tai polttaa.
- ▶ Älä käytä tai lataa akkua, johon on kohdistunut isku tai joka muutoin on vaurioitunut. Tarkasta akustasi vaurioiden merkit säännöllisin välein.
- ▶ Älä koskaan käytä kierrätettyä tai korjattua akkua.
- ▶ Älä käytä akkua tai akkukäyttöistä sähkötyökalua koskaan lyöntityökaluna.
- ▶ Älä koskaan altista akkua suoralle auringonpaisteelle, korkealle lämpötilalle, kipinöille tai avotulelle. Siitä voi aiheutua räjähdys.
- ▶ Älä kosketa akun napoja sormilla, työkaluilla, koruilla tai muilla metallisilla esineillä. Seurauksena akku voi vaurioitua ja aiheuttaa aineellisia vahinkoja tai vammoja.
- ▶ Älä altista akkua sateelle, kosteudelle tai nesteille. Sisään tunkeutunut kosteus voi aiheuttaa oikosulun, sähköiskun, palovammoja tai räjähdyksen.
- ▶ Käytä aina vain tälle akkutyypille tarkoitettuja latureita ja sähkötyökaluja. Noudata niiden käyttöohjeissa annettuja ohjeita.
- ▶ Älä käytä tai varastoi akkua räjähdysvaarallisessa ympäristössä.



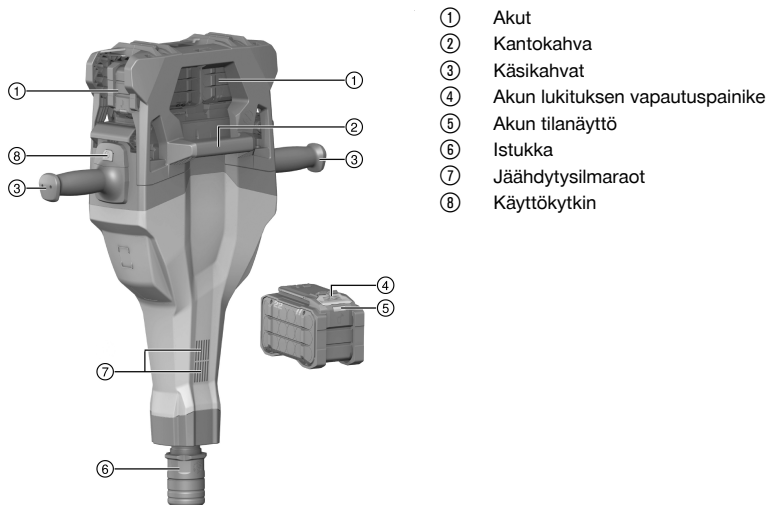
- ▶ Jos akku on liian kuuma koskea, se saattaa olla vaurioitunut. Laita akku palovaarattomaan paikkaan ja riittävän etäälle syttyivistä materiaaleista. Anna akun jäähtyä. Jos akku vielä tunnin kuluttuakin on liian kuuma koskea, akku on vaurioitunut. Ota yhteys **Hilti**-huoltoon tai lue dokumentti "Hilti-litiumioniakkujen turvallisuuteen ja käyttöön liittyviä ohjeita".

i Noudata erityisiä ohjeita ja direktiivejä, jotka koskevat litiumioniakkujen kuljettamista, varastointia ja käyttöä. → Sivu 70

Lue **Hilti**-litiumioniakkujen turvallisuuteen ja käyttöön liittyvät ohjeet, jotka saat skannaamalla tämän käyttöohjeen lopussa olevan QR-koodin.

3 Kuvaus

3.1 Tuoteyhteenvedo



- ① Akut
- ② Kantokahva
- ③ Käsikahvat
- ④ Akun lukituksen vapautuspainike
- ⑤ Akun tilanäyttö
- ⑥ Istukka
- ⑦ Jäähdytysilmaraat
- ⑧ Käyttökytkin

3.2 Kuljetusvaunun ja laukun B22/C (XL) (lisävaruste) yhteenvedo

- ① Kahva
- ② Kuormavarmistin
- ③ Lukituskaari
- ④ Akkulaukun B22/C (XL) lukitsin
- ⑤ Työkaluhen (piikkausterien) teline
- ⑥ Pyörät
- ⑦ Pyörälukko (levy, sokka)
- ⑧ Koneen kiinnitystappi
- ⑨ Kantokahva
- ⑩ Akku
- ⑪ Laturi
- ⑫ Laukku B22/C (XL)

3.3 Tarkoituksenmukainen käyttö

Kuvattu tuote on käsiohjattava akkukäyttöinen piikkausvasara. Se on tarkoitettu betonin, tiilen, muurauksen ja asfaltin piikkaustöihin. Sitä voidaan käyttää myös juntaamiseen ja kaivamiseen.

Tuotetta saa käyttää vain lattian suuntaisesti.

- Käytä tässä tuotteessa vain tyypisarjan B 22 **Hilti** Nuron -litiumioniakkuja. Parhaan tehon saavuttamiseksi **Hilti** suosittelee, että tässä tuotteessa käytetään vain tämän käyttöohjeen lopussa olevassa taulukossa mainittuja akkuja.
- Käytä näiden akkujen lataamiseen vain tämän käyttöohjeen lopussa olevassa taulukossa mainittujen tyypisarjojen **Hilti**-latureita.



3.4 Väärä käyttö

- Tuotetta ei saa käyttää kosteassa ympäristössä.
- Älä käytä tuotetta paikoissa, joissa on tulipalo- tai räjähdysvaara.
- Terveydelle vaarallisia materiaaleja (esimerkiksi asbesti) ei saa työstää.
- Älä kuljeta tuotetta nosturilla.
- Älä tee työtä tikkailla seisten.
- Tuotetta ei saa käyttää vaakasuunnassa seinään nähden.
- Älä käytä työkaluliinoja.

3.5 Active Vibration Reduction

Tuotteessa on Active Vibration Reduction (AVR) -järjestelmä, joka merkittävästi vähentää värinää.

3.6 Toimituksen sisältö

Akkukäyttöinen piikkausvasara, käyttöohje, rasvaa

Kuljetusvaunu akkujen laukku ja laturi ovat saatavissa lisävarusteina.

Muita tälle tuotteelle hyväksytyjä järjestelmätuotteita löydät **Hilti Store** -liikkeestä tai nettiosoitteesta: www.hilti.group

3.7 Litiumioniakun näyttö

Hilti Nuron -litiumioniakuissa on lataustilan, vikailmoitusten ja akun kunnan näyttö.

3.7.1 Lataustilan ja vikailmoitusten näyttö



Loukkaantumisvaara akun putoamisesta aiheutuva!

- ▶ Varmista, että akku on kunnolla lukittunut tuotteeseen, jos akun paikalleen laittamisen jälkeen olet painanut lukituksen vapautuspainiketta.

Jotta jokin seuraavista näytöistä voi tulla näyttöön, paina akun lukituksen vapautuspainiketta lyhyesti.

Lataustila ja mahdolliset häiriöt pysyvät näytössä niin kauan, kuin liitetty tuote on päälle kytkettyinä.

Tila	Merkitys
Neljä (4) LED-merkkivaloa palaa jatkuvasti vihreänä	Lataustila: 100...71 %
Kolme (3) LED-merkkivaloa palaa jatkuvasti vihreänä	Lataustila: 70...51 %
Kaksi (2) LED-merkkivaloa palaa jatkuvasti vihreänä	Lataustila: 50...26 %
Yksi (1) LED palaa jatkuvasti vihreänä	Lataustila: 25...10 %
Yksi (1) LED-merkkivalo vilkkuu hitaasti vihreänä	Lataustila: < 10 %
Yksi (1) LED-merkkivalo vilkkuu nopeasti vihreänä	Litiumioniakku on täysin tyhjentynyt. Lataa akku. Jos LED-merkkivalo akun lataamisen jälkeenkin vielä vilkkuu nopeasti, ota yhteys Hilti -huoltoon.
Yksi (1) LED-merkkivalo vilkkuu nopeasti keltaisena	Litiumioniakku tai siihen liitetty tuote on ylikuormittunut, liian kuuma tai liian kylmä tai jokin muu vika on olemassa. Saata tuote ja akku suositeltuun käyttölämpötilaan ja älä ylikuormita tuotetta sitä käyttäessäsi. Jos viesti edelleen on näytössä, ota yhteys Hilti -huoltoon.
Yksi (1) LED-merkkivalo palaa keltaisena	Litiumioniakku ja siihen liitetty tuote eivät ole yhteensopivat. Ota yhteys Hilti -huoltoon.
Yksi (1) LED-merkkivalo vilkkuu nopeasti punaisena	Litiumioniakku on estetty eikä sitä voida käyttää. Ota yhteys Hilti -huoltoon.



3.7.2 Akun kunnan näyttö

Litiumioniakun kunnan voit hakea näyttöön painamalla akun lukituksen vapautuspainiketta yli kolmen sekunnin ajan. Järjestelmä tunnistaa akun mahdollisen virheellisen toiminnan väärin käyttämisen seurauksena, esimerkiksi akku päässyt putoamaan, akussa reikä, akussa ulkoisen lämmön aiheuttama vaurio jne.

Tila	Merkitys
Kaikki LED-merkkivalot syttyvät juoksevasti ja sitten yksi (1) LED-merkkivalo jää palamaan vihreänä.	Akun käyttämistä voidaan jatkaa.
Kaikki LED-merkkivalot syttyvät juoksevasti ja sitten yksi (1) LED-merkkivalo vilkkuu nopeasti keltaisena.	Kyselyä akun kunnosta ei saatu tehtyä loppuun saakka. Toista tämä vaihe tai ota yhteys Hilti -huoltoon.
Kaikki LED-merkkivalot syttyvät juoksevasti ja sitten yksi (1) LED-merkkivalo jää palamaan punaisena.	Jos liitettyä tuotetta voi edelleen käyttää, jäljellä oleva akkukapasiteetti on alle 50 %. Jos liitettyä tuotetta ei enää voi käyttää, akku on tullut käyttöikänsä päähän ja vaihdettava. Ota yhteys Hilti -huoltoon.

4 Akkukäyttöinen piikkausvasara

	TE 2000-22
Paino EPTA Procedure 01 mukaan ilman akkua	17,4 kg
Yhden iskun energia (EPTA-Procedure 05)	38,2 J
Ympäristön lämpötila käytettäessä	-17 °C ... 60 °C
Varastointilämpötila	-20 °C ... 70 °C

4.1 Akku

Akkutoimintajännite	21,6 V
Akun paino	Ks. tämän käyttöohjeen loppu
Ympäristön lämpötila käytettäessä	-17 °C ... 60 °C
Varastointilämpötila	-20 °C ... 40 °C
Akun lämpötila lataamisen alkaessa	-10 °C ... 45 °C

4.2 Melutiedot ja värinäarvot EN 62841 mukaan

Tässä käyttöohjeessa annetut äänenpaine- ja värinäarvot on mitattu standardoitujen mittausmenetelmien mukaisesti, ja näitä arvoja voidaan käyttää sähkötyökalujen vertailussa. Ne soveltuvat myös altistumisten tilapäiseen arviointiin.

Annetut arvot koskevat sähkötyökalun pääasiallisia käyttötarkoituksia. Jos sähkötyökalua kuitenkin käytetään muihin tarkoituksiin, poikkeavia työkaluja tai teriä käyttäen tai puutteellisesti huollettuna, arvot voivat poiketa tässä ilmoitetuista. Tämä saattaa merkittävästi lisätä altistumista koko työskentelyajan aikana.

Altistumisia tarkasti arvioitaessa on otettava huomioon myös ne ajat, jolloin kone on kytketty pois päältä tai jolloin kone on päällä, mutta sillä ei tehdä varsinaista työtä. Tämä saattaa merkittävästi vähentää altistumista koko työskentelyajan aikana.

Käyttäjän suojaamiseksi melun ja/tai värinän vaikutukselta ryhdy tarpeellisiin turvatoimenpiteisiin kuten: Sähkötyökalun ja siihen kiinnitettävien työkalujen huolto, käsien lämpimänä pitäminen, työtehtävien organisointi.

Melutiedot

Mitattu äänitehotaso (L_{WA})	98 dB(A)
Äänitehotason epävarmuus (K_{WA})	3 dB(A)
Melupäästön äänenpainetaso (L_{pA})	87 dB(A)
Äänenpainetaso epävarmuus (K_{pA})	3 dB(A)



Tärinän kokonaisarvot

Piikkaaminen ($a_{h, \text{Cheq}}$)	B 22-170	3,8 m/s ²
	B 22-255	3,8 m/s ²
Epävarmuus (K)		1,5 m/s ²

5 Työkohteen valmistelu

VAARA

Loukkaantumisvaara vahingossa käynnistymisen seurauksena!

- ▶ Varmista ennen akun kiinnittämistä, että siihen liitettävä tuote on kytketty pois päältä.
- ▶ Irrota akut ennen kuin muutat tuotteen säätöjä tai vaihdat lisävarusteosia.

Noudata tässä dokumentaatiossa ja tuotteessa olevia turvallisuus- ja varoitushuomautuksia.

5.1 Akkujen lataaminen

1. Ennen lataamista lue laturin käyttöohje.
2. Varmista, että liittimet akussa ja laturissa ovat puhtaat ja kuivat.
3. Lataa akku hyväksytyllä laturilla. → Sivu 65

5.2 Akkujen kiinnitys

VAARA

Loukkaantumisvaara akun oikosulun tai putoamisen seurauksena!

- ▶ Ennen akkujen paikalleen laittamista varmista, ettei akkujen liittimissä akuissa ja tuotteessa ole vieraselementtejä.
- ▶ Varmista, että akut aina lukittuvat kunnolla paikalleen.

1. Lataa akku täyteen ennen ensimmäistä käyttökertaa.
2. Työnnä akut tuotteeseen siten, että akut kuultavasti lukittuvat paikalleen.
3. Tarkasta, että akut ovat kunnolla kiinni.

5.3 Akun irrotus

1. Paina akun lukituksen vapautuspainiketta.
2. Vedä akku irti tuotteesta.

6 Käyttö

Noudata tässä dokumentaatiossa ja tuotteessa olevia turvallisuus- ja varoitushuomautuksia.

6.1 Työkaluterän kiinnitys

1. Rasvaa työkaluterän istukkapää kevyesti.



Soveltumattoman rasvan käyttö voi vaurioittaa tuotetta. **Käytä vain alkuperäistä Hilti-rasvaa.**

2. Laita työkaluterä istukkaan ja kierrä työkaluterää hiukan painaen siten, että se kuultavasti lukittuu kiinni.
3. Tarkasta työkaluterän kunnollinen lukittuminen vetämällä työkaluterästä.

6.2 Työkaluterän irrotus

VAROITUS

Loukkaantumisvaara! Työkaluterä voi olla kuuma ja/tai teräväreunainen.

- ▶ Käytä suojakäsineitä, kun vaihdat työkaluterää.
- ▶ Älä koskaan laske työkaluterää syytyvälle alustalle.

1. Vedä työkaluterän lukitsin taaksepäin vasteeseen saakka.
2. Irrota työkaluterä.



6.3 Käyttö

Noudata tässä dokumentaatioissa ja tuotteessa olevia turvallisuus- ja varoitushuomautuksia. Hanki töiden koko laajuudelle työnjohdon suostumus!

6.3.1 Piikkaaminen

1. Aseta piikkausterä haluamaasi asentoon.
2. Paina käyttökytkintä.



Käyttö alhaisissa lämpötiloissa:

Tuotteen iskumeکانismi vaatii toimiakseen tietyn minimilämpötilan. Sen saavuttamiseksi laske tuote hetkeksi alustalle ja anna käydä hetki tyhjäkäyntiä. Tarvittaessa toista tämä, kunnes iskumeکانismi toimii.

6.3.2 Kytkeminen pois päältä

- ▶ Paina käyttökytkintä.

6.3.3 Työskentelyohjeita



Piikkaustyökalun voi kiinnittää 6 eri asentoon (60°:n välein). Näin latta- ja muotopiikkaustyökalun saa kiinnitettyä aina työn kannalta sopivimpaan asentoon.

- ▶ Aseta piikkausterä noin 80-100 mm:n (3 1/8" - 4") päähän reunasta.
- ▶ Jos piikattavassa materiaalissa on raudoitusta, ohjaa piikkausterä aina materiaalin reunaa vasten, älä raudoitusta vasten.
- ▶ Aloita piikkaaminen piikkausterä 90° kulmassa betonin pintaan nähden ja suuntaa kärki reunaa kohti. Käännä sitten kulmaa suuntaan 70-80° ja murra materiaali irti.
- ▶ Käännä piikkausterä säännöllisin välein, koska tasainen kuluminen tehostaa itseteroittumista.
- ▶ Liian pieni painamisvoima johtaa piikkausterän hyppimiseen. Liian suuri painamisvoima alentaa piikkaus-tehoa.

7 Kuljetusvaunu ja laukku B22/C (XL)

7.1 Kuljettaminen

Kuljetusvaunu on piikkausvasaran turvallinen kuljetusvaihtoehto.

Laukku B22/C (XL) varmistaa laturin ja akun turvallisen kuljettamisen.

- Varmista, että kuljetusvaunu pysyy turvallisesti pystyssä.
- Laita tuote sille tarkoitettuun kiinnitystappiin ja varmista aina lukitsinkaarella tuotteen pysyminen paikallaan kuljetuksen aikana.
- Aseta laukku B22/C (XL) kuljetusvaunuun ja varmista lukitsimella laukun pysyminen paikallaan.
- Varmista kuljetusreittien turvallisuus.
- Älä jätä kuljetusvaunua kaltevalle pinnalle.
- Älä kuljeta kuljetusvaunua ja laukku B22/C (XL) nosturilla.
- Aseta piikkausterät terien kannattimeen siten, että ne lukittuvat paikoilleen.
- Varmista kuljetusreittien turvallisuus.
- Älä jätä kuljetusvaunua kaltevalle pinnalle.
- Älä kuljeta kuljetusvaunua ja laukku B22/C (XL) nosturilla.

8 Huolto, hoito ja kunnossapito



VAARA

Loukkaantumisvaara akut kiinnitettynä !

- ▶ Irrota akut aina ennen hoito- ja kunnostustöitä!

Tuotteen hoito

- Poista pinttynyt lika varovasti.



2301752

Suomi

69

- Puhdista tuotteessa mahdollisesti olevat jäähdytysilmaraot varovasti kuivalla harjalla.
- Käytä kotelon puhdistamiseen vain kevyesti kostutettua kangasta. Älä käytä silikonia sisältäviä hoitoaineita, sillä ne voivat vaurioittaa muoviosia.

Litiumioniakkujen hoito

- Älä koskaan käytä akkua, jos sen jäähdytysilmaraot ovat tukkeutuneet. Puhdista jäähdytysilmaraot varovasti kuivalla, pehmeällä harjalla.
- Vältä altistamista akkua tarpeettomasti pölylle tai lialle. Älä koskaan altista akkua suurelle kosteudelle (esimerkiksi upota veteen tai jätä sateeseen).
- Jos akku on pahoin kastunut, käsittele sitä kuin vaurioitunutta akkua. Eristä akku palamattomasta materiaalista valmistettuun astiaan ja ota yhteys **Hilti**-huoltoon.
- Pidä akku öljyttömänä ja rasvattomana. Älä anna pölyn ja lian kertyä akun pintaan. Puhdista akku kuivalla, pehmeällä harjalla tai puhtaalla, kuivalla kankaalla.
- Älä käytä silikonia sisältäviä hoitoaineita, sillä ne saattavat vaurioittaa muoviosia.
- Käytä kotelon puhdistamiseen vain kevyesti kostutettua kangasta. Älä käytä silikonia sisältäviä hoitoaineita, sillä ne voivat vaurioittaa muoviosia.

Kunnossapito

- Tarkasta säännöllisin välein kaikkien näkyvien osien mahdolliset vauriot ja käyttöelementtien moitteeton toiminta.
- Jos havaitset vaurioita ja / tai toteat toimintahäiriöitä, älä käytä tuotetta. Korjauta heti **Hilti**-huollossa.
- Hoito- ja kunnostustöiden jälkeen kiinnitä kaikki suojalaitteet ja tarkasta niiden toiminta.



Käyttöturvallisuuden varmistamiseksi käytä vain alkuperäisiä varaosia ja käyttömateriaaleja. Tälle tuotteelle hyväksytyjä varaosia, kulutusmateriaaleja ja lisävarusteita löydät **Hilti Store** -liikkeestä tai osoitteesta: www.hilti.group.

9 Akkukäyttöisten työkalujen ja akkujen kuljetus ja varastointi

Kuljettaminen

VAROITUS

Käynnistyminen vahingossa kuljetuksen aikana !

- ▶ Kuljeta tuotteesi aina akku irrotettuna!
- ▶ Irrota akku/akut.
- ▶ Älä koskaan kuljeta akkuja irrallaan muiden tavaroiden joukossa. Akut on suojattava kuljetuksen ajaksi kovilta iskuilta ja tärinäältä, ja ne on eristettävä kaikenlaisista sähköä johtavista materiaaleista ja muista akuista, jotta niiden navat eivät pääse kosketuksiin muiden akkujen napojen kanssa. Seurauksena saattaisi olla oikosulku. **Noudata maakohtaisia akkujen kuljetusmääräyksiä.**
- ▶ Akkuja ei saa koskaan lähettää postitse. Käännä kuljetusyrityksen puoleen, kun haluat lähettää vaurioittomia akkuja.
- ▶ Tarkasta tuotteen ja akun mahdolliset vauriot aina ennen käyttöä sekä ennen pitkää kuljetusta ja sen jälkeen.

Varastointi

VAARA

Viallinen tai vuotava akku voi aiheuttaa vaurioita !

- ▶ Varastoi tuotteesi aina akku irrotettuna!
- ▶ Varastoi tuote ja akut viileässä ja kuivassa paikassa. Ota teknisissä tiedoissa annetut lämpötilarajat huomioon.
- ▶ Akkuja ei saa säilyttää laturissa. Irrota akku laturista aina latauksen päätyttyä.
- ▶ Älä koskaan varastoi akkuja auringonpaisteessa, lämmönlähteen päällä tai ikkunan vieressä.
- ▶ Varastoi tuote ja akut lasten ja asiattomien henkilöiden ulottumattomissa.
- ▶ Tarkasta tuotteen ja akun mahdolliset vauriot aina ennen käyttöä sekä ennen pitkää varastointia ja sen jälkeen.

10 Apua häiriötilanteisiin

Kaikkissa häiriötilanteissa tarkkaile lataustilan ja vikojen näytön merkivaloja. Ks. kappale **Litiumioniakun merkivalot**.



Häiriöissä, joita ei ole kuvattu tässä taulukossa tai joita et itse pysty poistamaan, ota yhteys **Hilti**-huoltoon.

Häiriö	Mahdollinen syy	Ratkaisu
Akku ei lukitu paikalleen selvästi naksauttaen.	Akun salpanokka tai liitoskohta tuotteessa likaantunut.	► Puhdista salpanokat ja laita akut uudelleen paikalleen.
Akku tyhjenee tavallista nopeammin.	Akun kunto ei optimaalinen.	► Tarkasta akun kunto. → Sivu 66
Tuote ei käynnisty.	Vain yksi ladattu akku on kiinnitetty paikalleen.	► Kiinnitä toinenkin ladattu akku paikalleen.
Ei iskua.	Tuote on liian kylmä.	► Aseta tuote pintaa vasten ja anna koneen käydä hetki tyhjäkäyntiä. Tarvittaessa toista tämä, kunnes iskumekanismi toimii.
Tuote tai akku kuumenee voimakkaasti.	Sähköinen vika.	► Kytke tuote heti pois päältä. Irrota akut ja tarkkaile niitä. Anna niiden jäähtyä. Ota yhteys Hilti -huoltoon.
Tuote kytkeytyy käytön aikana pois päältä tai ei käynnisty	Tuote/akut ovat liian kuumat tai akut ovat liian kylmät.	► Kytke tuote pois päältä, anna tuotteen/akkujen jäähtyä. ► Akut liian kylmät. Anna akkujen lämmitä suositeltuun käyttölämpötilaan.

11 Hävittäminen



VAARA

Määräystenvastaisten hävittäminen aiheuttaa loukkaantumisvaaran! Ulos vuotavat kaasut tai nesteet vaarantavat terveyden.

- Älä lähetä vaurioituneita akkuja!
- Peitä liittännät sähköä johtamattomalla materiaalilla oikosulkujen välttämiseksi.
- Hävitä akut siten, etteivät ne voi joutua lasten käsiin.
- Hävitä akku viemällä se **Hilti Store** -liikkeeseen tai käänny vastuullisen jätteenkäsittely-yrityksen puoleen.

Hilti-tuotteet on pääosin valmistettu kierrätyskelpoisista materiaaleista. Kierrätyksen edellytys on materiaalien asianmukainen lajittelu. Useissa maissa **Hilti** ottaa vanhat koneet ja laitteet vastaan kierrätystä ja hävitystä varten. Lisätietoja saat **Hilti**-huollosta tai -edustajalta.



- Älä hävitä sähkötyökaluja, elektronisia laitteita ja akkuja tavallisen sekajätteen mukana!

12 Valmistajan myöntämä takuu

- Jos sinulla on takuuehtoihin liittyviä kysymyksiä, ota yhteys paikalliseen **Hilti**-edustajaan.

13 Lisätietoja

Lisätietoa käytöstä, teknikasta, ympäristöstä ja kierrätyksestä saat seuraavan linkin kautta: qr.hilti.com/manual/?id=2301751&id=2301753

Sama linkki on myös QR-koodina dokumentaation lopussa.



Originaalkasutusjuhend

1 Andmed dokumentatsiooni kohta

1.1 Kasutusjuhend

- Enne seadme kasutuselevõttu lugege see kasutusjuhend läbi. See on ohutu kasutamise ja tõrgeteta töö eeldus.
- Järgige kasutusjuhendis esitatud ja tootele märgitud ohutusnõudeid ja hoiatusi.
- Hoidke kasutusjuhend alati seadme juures ja toote edasiandmisel teistele isikutele andke üle ka kasutusjuhend.

1.2 Märkide selgitus

1.2.1 Hoiatused

Hoiatused annavad märku toote kasutamisel tekkivatest ohtudest. Kasutatakse järgmisi märksõnu:



OHT

OHT !

- ▶ Võimalikud ohtlikud olukorrad, mis võivad põhjustada kasutaja raskeid kehavigastusi või hukkumist.



HOIATUS

HOIATUS !

- ▶ Võimalik ohtlik olukord, mis võib põhjustada kasutaja raskeid kehavigastusi või hukkumist.



ETTEVAATUST

ETTEVAATUST !

- ▶ Võimalikud ohtlikud olukorrad, mis võivad põhjustada kehavigastusi või varalist kahju.

1.2.2 Sümbolid kasutusjuhendis

Käesolevas kasutusjuhendis kasutatakse järgmisi sümboleid:

	Järgige kasutusjuhendit
	Soovitused seadme kasutamiseks ja muu kasulik teave
	Taaskasutatavate materjalide käsitsemine
	Elektrilisi tööriistu ja akusid ei tohi visata olmejäätmete hulka
	Hilti Li-Ion-aku
	Hilti Laadimisseade

1.2.3 Joonistel kasutatud sümbolid

Joonistel kasutatakse järgmisi sümboleid.

2	Numbrid viitavad vastavatele joonistele kasutusjuhendi juhendi alguses.
3	Numeratsioon kajastab tööetappide järjekorda pildi kujul ja võib tekstis kirjeldatud tööetappidest kõrvale kalduda.
11	Positsiooninumbreid kasutatakse joonisel Ülevaade ja need viitavad selgituste numbritele lõigus Toote ülevaade .
	See märk näitab, et toote käsitsemisel tuleb olla eriti tähelepanelik.



1.3 Tootepõhised sümbolid

1.3.1 Tootel olevad sümbolid

Tootel võib kasutada järgmisi sümboleid:

	Kraanaga transportimine keelatud!
	Seade toetab NFC-tehnoloogiat, mis ühildub iOS- ja Android-platvormidega.
Li-Ion	Liitumioonaku
	Ärge kasutage akut kunagi lõõgiriistana.
	Ärge laske akul kunagi maha kukkuda. Ärge kasutage akut, mis on saanud löögi või on muul moel kahjustada saanud.

1.4 Tooteinfo

HILTI tooted on ette nähtud professionaalsele kasutajale ja neid tohivad käsitseda, hooldada ja korras hoida ainult volitatud ja asjaomase väljaõppega isikud. Nimetatud personal peab olema teadlik kõikidest kaasnevatest ohtudest. Seade ja sellega ühendatavad abivahendid võivad osutada ohtlikuks, kui neid ei kasutata nõuetekohaselt või kui nendega töötab vastava väljaõppeta isik.

Tüübitähis ja seerianumber on tüübisildil.

- Kandke seerianumber järgmises tabelisse. Andmeid toote kohta vajate meie esindusele või hooldekeskusele päringute esitamisel.

Toote andmed

Piikvasar	TE 2000-22
Generatsioon	01
Seerianumber	

1.5 Vastavusdeklaratsioon

Seadme tootja kinnitab ainuvastutajana, et käesolevas kasutusjuhendis kirjeldatud seade vastab kehtivate õigusaktide nõuetele ja kehtivatele standarditele. Vastavusdeklaratsiooni koopia leiате käesoleva kasutusjuhendi lõpust.

Tehnilised dokumendid on saadaval:

Hilti Entwicklungsgesellschaft mbH | Zulassung Geräte | Hiltistraße 6 | 86916 Kaufering, DE

2 Ohutus

2.1 Üldised ohutusnõuded elektriliste tööriistade kasutamisel

⚠ HOIATUS! Lugege kõiki selle elektrilise tööriista juurde kuuluvaid ohutusjuhiseid, nõuandeid, jooniseid ja tehnilisi andmeid! Järgmiste juhiste eiramise tagajärg võib olla elektrilöök, tulekahju ja/või rasked vigastused.

Hoidke kõik ohutusnõuded ja juhised edaspidiseks kasutamiseks alles.

Ohutusjuhistes kasutatud mõiste "elektriline tööriist" käib võrgutoitega (toitejuhtmega) elektriliste tööriistade või akutoitega (toitejuhtmeta) elektriliste tööriistade kohta.

Ohutus töökohal

- **Hoidke oma töökoht puhas ja valgustage seda korralikult.** Korrastamata ja valgustamata töökoht võib põhjustada õnnetusi.
- **Ärge kasutage elektrilist tööriista plahvatusohtlikus keskkonnas, kus leidub tuleohtlikke vedelikke, gaase või tolmu.** Elektrilistest tööriistadest lööb sädemeid, mis võivad tolmu või auru süüdata.
- **Hoidke lapsed ja kõik teised töökohast eemal, kui kasutate elektrilist tööriista!** Kui teie tähelepanu juhitakse kõrvale, võib seade teie kontrolli alt väljuda.

Elekriohtus

- **Elektrilise tööriista pistik peab sobima pistikupessa. Pistiku juures ei tohi teha mingeid muudatusi. Kaitsemaandusega seadmete puhul ei tohi kasutada adapterpistikuid.** Muutmata pistikud ja sobivad pistikupesad vähendavad elektrilöögiohtu.



- ▶ **Vältige keha kontakti maandatud pindadega (nt toru, radiaator, pliit, külmik).** Kui teie keha on maandatud, on elektrilöögi oht suurem.
- ▶ **Kaitske elektrilist tööriista vihma ja niiskuse eest.** Kui elektrilise tööriista sisemusse satub vett, suurendab see elektrilöögiohtu.
- ▶ **Ärge kasutage ühenduskaablit elektrilise tööriista kandmiseks, riputamiseks ega pistiku stepslist väljatõmbamiseks!** Hoidke ühenduskaablit emal kuumusest, õldest, teravatest servadest ja liikuvatest osadest. Kahjustatud või keerduis ühenduskaablid suurendavad elektrilöögiohtu.
- ▶ **Kui töötate elektrilise tööriistaga vabas õhus, kasutage ainult selliseid pikendusjuhtmeid, mida tohib kasutada ka välitingimustes.** Välitingimustes sobiva pikendusjuhtme kasutamine vähendab elektrilöögiohtu.
- ▶ **Kui seadmega töötamine niiskes keskkonnas on vältimatu, kasutage rikkevoolu kaitseülilülit.** Rikkevoolu kaitseülilülit kasutamine vähendab elektrilöögiohtu.

Inimeste ohutus

- ▶ **Olge tähelepanelik, jälgige, mida teete, ja toimige elektrilise tööriistaga töötades kaalutletult. Ärge tööta elektrilise tööriistaga, kui olete väsinud või alkoholi, narkootikumide või ravimite mõju all!** Hetkeline tähelepanematus elektrilise tööriista kasutamisel võib põhjustada raskeid kehavigastusi ja varalist kahju.
- ▶ **Kandke isiklikke kaitsevahendeid ja alati kaitseprille.** Isiklike kaitsevahendite, nt tolmumaski, libisemiskindlate turvajalatsite, kaitsekiivri või kuulmiskaitsevahendite kandmine (sõltuvalt elektrilise tööriista tüübist ja kasutusala) vähendab vigastusohtu.
- ▶ **Vältige elektrilise tööriista soovimatut käivitamist! Enne elektrilise tööriista ühendamist vooluvõrku ja/või elektrilise tööriista aku paigaldamist, tööriista ülestõstmist ja kandmist veenduge, et elektriline tööriist on välja lülitatud!** Kui hoiate elektrilise tööriista kandmisel sõrme lüliti või ühendate vooluvõrku sisselülitatud tööriista, võib juhtuda õnnetus.
- ▶ **Enne elektrilise tööriista sisselülitamist eemaldage selle küljest seade- ja mutrivõtmed.** Elektrilise tööriista pöörleva osa küljes olev seade- või mutrivõti võib põhjustada vigastusi.
- ▶ **Vältige ebatavalist tööasendit! Võtke stabiilne tööasend ja säilitage alati tasakaal.** Nii saate elektrilist tööriista ootamatutes olukordades paremini kontrollida.
- ▶ **Kandke sobivat rõivastust. Ärge kandke laiu riideid ega ehteid! Hoidke juuksed, rõivad ja kindad seadme liikuvatest osadest eemal.** Lotendavad riided, ehted ja pikad juuksed võivad sattuda seadme liikuvate osade vahele.
- ▶ **Kui elektrilise tööriista külge on võimalik paigaldada tolmuemaldus- ja kogumisseadiseid, veenduge, et need on tööriistaga ühendatud ja et neid kasutatakse nõuetekohaselt.** Tolmuemaldus-seadise kasutamine võib vähendada tolmuist tingitud ohte.
- ▶ **Ärge laske tekkida turvatundel ega eirake elektrilise tööriista ohutusreeglid isegi siis, kui olete pärast paljukordset kasutamist elektrilise tööriistaga harjunud.** Tähelepanematu käsitsemine võib sekundi mürdosa jooksul kaasa tuua raskeid vigastusi.

Elektrilise tööriista kasutamine ja käsitsemine

- ▶ **Ärge koormake seadet üle! Kasutage konkreetseks tööks sobivat elektrilist tööriista.** See töötab ettenähtud jõudluspiirides tõhusamalt ja ohutumalt.
- ▶ **Ärge kasutage elektrilist tööriista, mille lüliti on rikkis!** Elektriline tööriist, mida ei saa enam lülitist korralikult sisse ja välja lülitada, on ohtlik ning tuleb viia parandusse.
- ▶ **Tõmmake enne seadme mis tahes seadetõid, tarvikute vahetamist ja seadme hoieülevaetust pistikupesast välja ja/või eemaldage äravõetav aku.** See ettevaatusabinõu hoiab ära seadme soovimatu käivitumise.
- ▶ **Kasutusvälisel ajal hoidke elektrilist tööriista lastele kättesaamatus kohas. Ärge laske seadet kasutada isikutel, kes seadme tööpõhimõtet ei tunne või ei ole lugenud käesolevaid kasutusjuhendeid.** Asjatundmatute isikute käes on elektrilised tööriistad ohtlikud.
- ▶ **Hooldage elektrilisi tööriistu ja tarvikuid korralikult. Kontrollige, kas liikuvad osad töötavad veatult ega kiilu kiini. Veenduge, et seadme osad ei ole murdunud või kahjustatud määral, mis mõjutab seadme töökindlust. Laske kahjustatud osad enne seadme kasutamist parandada.** Ebapiisavalt hooldatud elektrilised tööriistad põhjustavad õnnetusi.
- ▶ **Hoidke lõiketarvikud teravad ja puhtad.** Hästi hooldatud, teravate lõikeservadega lõiketarvikud kiiluvad harvemini kinni ja neid on lihtsam juhtida.
- ▶ **Kasutage elektrilist tööriista, tarvikuid ja lisatarvikuid vastavalt nende juhistele. Arvestage seejuures töötingimuste ja tehtava töö iseloomuga.** Elektrilise tööriista kasutamine otstarbel, milleks see ei ole ette nähtud, võib põhjustada ohtlikke olukordi.
- ▶ **Käepidemed ja haardepinnad peavad olema kuivad, puhtad ning vabad õlist ja rasvast.** Libedad käepidemed ja haardepinnad ei võimalda elektrilist tööriista ootamatutes olukordades kindlalt käitseda ega kontrollida.



Akuga tööriista kasutamine ja käsitsemine

- ▶ **Laadige akusid ainult tootja soovitatud laadimiseseadmega.** Kui teatud tüüpi aku laadimiseks ettenähtud laadimiseseadet kasutatakse teist tüüpi akude laadimiseks, tekib tulekahjuoht.
- ▶ **Kasutage elektrilistes tööriistades ainult ettenähtud akusid.** Teist tüüpi akude kasutamine võib põhjustada vigastus- ja põlenguohtu.
- ▶ **Hoidke akud kasutusvälisel ajal eemal kirjaklambritest, müntidest, võtmetest, naeltest, kruvidest ja teistest väikestest metallesemetest, mis võivad aku kontaktid omavahel ühendada.** Aku kontaktide vahel tekkinud lühis võib põhjustada põletuse või tulekahju.
- ▶ **Väärkasutuse korral võib akuvedelik akust välja voolata. Vältige sellega kokkupuudet. Juhusliku kokkupuute korral loputage kahjustatud kohta veega. Kui vedelik satub silma, otsige ka arstiabi.** Väljavoolav akuvedelik võib põhjustada nahaärritust või põletust.
- ▶ **Ärge kasutage kahjustatud ega modifitseeritud akut!** Kahjustatud või modifitseeritud akud võivad käituda ettenägematult ja põhjustada tulekahju, plahvatusi või vigastusohtu.
- ▶ **Ärge laske akul kokku puutuda tule ega liiga kõrge temperatuuriga!** Tuli või temperatuur üle 130 °C (265 °F) võivad tekitada plahvatusi.
- ▶ **Järgige kõiki laadimisjuhiseid ja ärge kunagi laadige akut ega akutööriista väljaspool kasutusjuhendis näidatud temperatuurivahemikku.** Väär laadimine või laadimine väljaspool lubatud temperatuurivahemikku võib kahjustada akut ja suurendada tuleohtu.

Hooldus

- ▶ **Laske elektrilist tööriista parandada ainult kvalifitseeritud spetsialistidel, kes kasutavad originaalvaruosi.** Nii on tagatud elektrilise tööriista ohutu töö.
- ▶ **Ärge hooldage kahjustatud akut!** Akut võib hooldada ainult tootja või volitatud klienditeenindus.

2.2 Ohutusnõuded puurvasaratega töötamisel

Ohutusnõuded kõikide tööde puhul

- ▶ **Kandke kuulmiskaitsevahendeid.** Müra võib kahjustada kuulmist.
- ▶ **Kasutage tarnekomplekti kuuluvaid lisakäepidemeid.** Kontrolli kaotus seadme üle võib põhjustada vigastusi.
- ▶ **Kui teete töid, mille puhul võib tarvik tabada varjatud elektrijuhtmeid, hoidke seadet isoleeritud haardepinnast.** Kokkupuude pingestatud elektrijuhtmega võib seada pinge alla ka seadme metalldetailid ja põhjustada elektrilöögi.

2.3 Täiendavad ohutusnõuded Piikvasar

Inimeste turvalisus

- ▶ Kasutage seadet ja lisatarvikuid ainult siis, kui nende tehniline seisukord on veatu.
- ▶ Ärge kunagi muutke ega modifitseerige seadet ega lisatarvikuid.
- ▶ Võimaluse korral kasutage transpordikäru või muid transpordivahendeid. Kui transpordikäru või transpordivahendit ei ole käepärast, on seadme kandmiseks vaja kahte inimest. Pidage meeles, et seade koos teisaldamiskäruga on küllaltki rasked.
- ▶ Lagede, seinte ja põrandate meiseldamisel võtke ohutu ja stabiilne asend. Äkiline läbimurre võib teid tasakaalust välja viia!
- ▶ Läbistavate tööde korral turvake töödeldava koha taha jääv ala. Murduvad osad võivad välja ja/või alla kukkuda ning teisi inimesi vigastada.
- ▶ Seadme kasutaja ja läheduses viibivad inimesed peavad seadme kasutamise ajal kandma kaitseprille, kaitsekiivrit, kuulmiskaitsevahendeid ja kergest hingamisteede kaitsemaski.
- ▶ Lihvimisel, lõikamisel ja puurimisel tekkinud tolmu võib sisaldada ohtlikke kemikaale. Mõned näited: plii või pliipõhised värvid; tellis, betoon ja muu müüritis, looduskivi ja muud silikaati sisaldavad tooted; teatud tüüpi puit, näiteks tamm, pöök ja keemiliselt töödeldud puit; asbest või asbesti sisaldavad materjalid. Tehke kindlaks kasutaja ja teiste läheduses viibivate isikutega kokkupuute tase, arvestades töödeldavate materjalide ohuklassi. Võtke vajalikud meetmed, et hoida kokkupuude ohutul tasemel, nt kasutage tolmukogumissüsteemi või kandke sobivat hingamisteede kaitse maski. Kokkupuute vähendamise üldiste meetmete hulka kuuluvad:
 - ▶ töötamine hästi ventileeritud piirkonnast,
 - ▶ tolmuga pikaajalise kokkupuute vältimine,
 - ▶ tolmude eemalejuhtimine näost ja kehast,
 - ▶ kaitserõivaste kandmine ja nähtavate kohtade pesemine vee ja seebiga.
- ▶ Tarviku vahetamisel kandke kaitsekindaid. Tarviku puudutamine võib tekitada löikehaavu ja põletusi.



- ▶ Allakukkuvatest tarvikutest või liseseadistest tingitud vigastuste oht. Enne töö alustamist veenduge, et aku ja paigaldatud tarvik on kindlalt kinnitatud.
- ▶ Hoidke ventilatsioonivad alati vabad. Kinni kaetud ventilatsioonivadest tingitud põletusohu!
- ▶ Kasutage kaitseprille. Materjalist väljalendavad killud võivad tekitada keha- ja silmavigastusi.
- ▶ Tehke tihti pause ja sirutage sõrmi, et parandada verevarustust. Pikemaajalisel töötamisel võib tugev vibratsioon tekitada häireid sõrmede, käte või randmeliigeste veresoonte ja närvisüsteemi toimimises.
- ▶ Tagage kogu aeg seadme stabiilne asend. Asetage seade alati stabiilsele ühetasasele vibratsioonivabale pinnale.

Elektriõhutus

- ▶ Veenduge enne töö alustamist, et tööpiirkonnas ei ole varjatult paigaldatud elektri kaableid ega gaasi- ja veetorustikke. Pingestatud elektrijuhtme, gaasi- või veetoru vigastamise korral võivad seadme välised metalliosad sattuda põhjustada plahvatuse või elektrilöögi.

Elektriliste tööriistade hoolikas käsitsemine ja kasutamine

- ▶ Enne käestpanekut oodake, kuni tööriist on seiskunud.
- ▶ Lülitage seade sisse alles selle tööasendis.

2.4 Akude hoolikas käsitsemine ja kasutamine

- ▶ **Järgige liitiumioonakude ohutu käsitlemise ja kasutamise kohta esitatud juhiseid.** Eiramine võib tekitada nahaärrituse, söövituse, keemilise põletuse, tulekahju ja/või põhjustada plahvatuse.
- ▶ Kasutage akusid ainult siis, kui nende tehniline seisukord on veatu.
- ▶ Käsitlege akusid ettevaatlikult, et vältida on kahjustusi ja terviseohtlike vedelike eraldumist!
- ▶ Akusid ei tohi mingil juhul modifitseerida ega manipuleerida!
- ▶ Akusid ei tohi lahti võtta, kokku muljuda, kuumutada üle 80°C (176°F) ega põletada.
- ▶ Ärge kasutage ega laadige akusid, millele on avaldunud lõök või mis on muul viisil kahjustada saanud. Kontrollige regulaarselt, ega akudel ei ole märke kahjustustest.
- ▶ Ärge kunagi kasutage ringlusse võetud või parandatud akusid.
- ▶ Ärge kasutage akut või akutoitega elektrilist tööriista kunagi löögitarvikuna.
- ▶ Ärge jätke akut kunagi otsese päikesekiirguse, kuumuse, sädemete või lahtise leegi kätte. See võib põhjustada plahvatuse.
- ▶ Ärge puudutage aku pooluseid sõrmede, tööriistade, ehete või muude metalliesemetega. See võib akut kahjustada, samuti tekitada varalist kahju ja kehavigastusi.
- ▶ Hoidke akusid eemal vihmast, niiskusest ja vedelikest. Sissetungiv niiskus võib põhjustada lühist, elektrilööki, põletust, tulekahju ja plahvatust.
- ▶ Kasutage üksnes seda tüüpi aku jaoks ette nähtud laadimisseadmeid ja elektrilisi tööriistu. Juhinduge asjaomastes kasutusjuhendites esitatud andmetest.
- ▶ Ärge kasutage ega säilitage akut plahvatusohtlikus keskkonnas.
- ▶ Kui aku on nii kuum, et seda ei saa puudutada, võib aku olla defektne. Asetage aku nähtavasse tulekindlasse kohta, mis on süttivatest materjalidest piisavaltkaugel. Laske akul jahtuda. Kui aku on ühe tunni pärast ikka veel liiga kuum, et seda puudutada saaks, siis on aku defektne. Pöörduge **Hilti** hooldekeskusesse või lugege läbi dokument "Juhised **Hilti** liitiumioonakude ohutu käsitlemise ja kasutamise kohta".



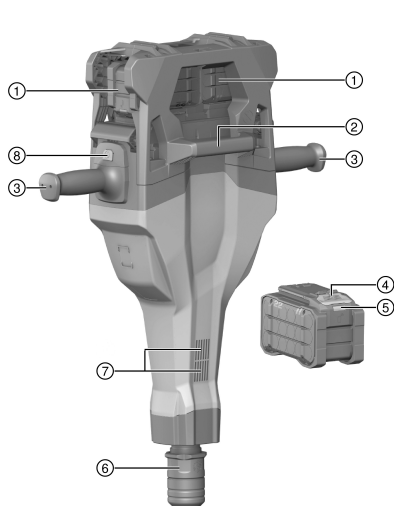
Järgige liitiumioonakude transpordi, ladustamise ja käsitlemise kohta esitatud erijuhiseid.
→ Lehekülg 82

Lugege läbi **Hilti** liitiumioonakude ohutu käsitlemise ja kasutamise juhised, mis avanevad käesoleva kasutusjuhendi lõpus oleva QR-koodi skännimisel.



3 Kirjeldus

3.1 Toote ülevaade 1



- ① Akud
- ② Käepide
- ③ Käepidemed
- ④ Aku vabastusnupp
- ⑤ Aku oleku indikaator
- ⑥ Tarvikukinnitus
- ⑦ Ventilatsioonivad
- ⑧ Toitelüliti

3.2 Ülevaade: transpordikäru ja kohver B22C (XL) (lisavarustus) 2

- ① Käepide
- ② Laadimiskaitse
- ③ Lukustuskaar
- ④ Lukk patareikohvrile B22C (XL)
- ⑤ Hoidik tarvikule (meisel)
- ⑥ Rattad
- ⑦ Ratta kinnitus (seib, splint)
- ⑧ Seadme kinnitamise torn
- ⑨ Käepide
- ⑩ Aku
- ⑪ Laadimisseade
- ⑫ Kohver B22C (XL)

3.3 Kasutusotstarve

Kirjeldatud seade on käsitsi juhitud akupiiikvasar. See on ette nähtud betooni, müüritise ja asfaldi meiseldamiseks. Seda saab kasutada ka pinnase tihendamise- ja kaevetöödeks.

Seadet tohib kasutada ainult pörandas suunas.

- Kasutage selle toote jaoks ainult **Hilti** Nuron B 22 seeria liitumioonakusid. Optimaalse võimsuse tagamiseks soovib **Hilti** kasutada selle toote jaoks käesoleva kasutusjuhendi lõpus olevas tabelis nimetatud akusid.
- Kasutage nende akude laadimiseks ainult käesoleva kasutusjuhendi lõpus nimetatud seeriatesse kuuluvaid **Hilti** laadimisseadmeid.

3.4 Vale käsitsemine

- Toodet ei tohi kasutada niiskes keskkonnas tehtavateks töödeks.
- Ärge kasutage seadet tulekahju- ja plahvatusohtlikes kohtades.
- Seadmega ei tohi töödelda tervisekahjulikke materjale (nt asbesti).
- Ärge transportige seadet kraanaga.
- Ärge töötage redelil seistes!
- Seadmega ei tohi töötada seina suhtes horisontaalselt.
- Ärge kasutage tööriistatrossi.



3.5 Active Vibration Reduction

Seade on varustatud Active Vibration Reduction (AVR) süsteemiga, mis vibratsiooni tuntavalt vähendab.

3.6 Tarnekomplekt

Akupiikvasar, kasutusjuhend, määre

Teisaldamiskäru ja aku ning laadimisseadme kohver on lisatarvikud.

Muud süsteemitooted leiata müügiesindusest **Hilti Store** või veebisaidilt: www.hilti.group

3.7 Liitiumioonaku kuvamine

Hilti Nuron liitiumioonakud saavad näidata laetuse astet, anda veateateid ja näidata aku olekut.

3.7.1 Laetuse astme ja veateadete kuvamine



HOIATUS

Vigastuste oht allakukkuva aku tõttu!

- ▶ Kui aku on paigaldatud, tehke vabastuslukule vajutamisega kindlaks, et aku on kasutatavasse tootesse õigesti sisse pandud.

Selleks et kuvada ühte järgmistest näitudest, vajutage korraks aku vabastusnupule.

Laetuse astet ning võimalikke tõrkeid kuvatakse pidevalt seni, kuni ühendatud seade on sisse lülitatud.

Seisund	Tähendus
Neli (4) LED-tuld põlevad pideva rohelise tulega	Laetuse aste: 100 % kuni 71 %
Kolm (3) LED-tuld põlevad pideva rohelise tulega	Laetuse aste: 70 % kuni 51 %
Kaks (2) LED-tuld põlevad pideva rohelise tulega	Laetuse aste: 50 % kuni 26 %
Üks (1) LED-tuli põleb pideva rohelise tulega	Laetuse aste: 25 % kuni 10 %
Üks (1) LED-tuli vilgub aeglaselt rohelise tulega	Laetuse aste: < 10 %
Üks (1) LED-tuli vilgub aeglaselt rohelise tulega	Liitiumioonaku on täielikult tühjenenud. Laadige akut. Kui LED-tuled pärast laadimist ikka veel kiiresti vilguvad, pöörduge Hilti hooldekeskusse.
Üks (1) LED-tuli vilgub kiiresti kollase tulega	Liitiumioonaku ja sellega ühendatud seade on üle koormatud, liiga külmad või liiga kuumad või on tegemist muu veaga. Viige seade ja aku soovitatud töötemperatuurile ja ärge avaldage tootele ülekoormust. Kui teade ei kao, pöörduge Hilti hooldekeskusse.
Üks (1) LED-tuli põleb kollase tulega	Liitiumioonaku ja sellega seotud toode ei ühildu. Palun pöörduge Hilti hooldekeskusse.
Üks (1) LED-tuli vilgub kiiresti punase tulega	Liitiumioonaku on lukustatud ja seda ei saa kasutada. Palun pöörduge Hilti hooldekeskusse.

3.7.2 Akude oleku kuvamine

Aku seisundi teadasaamiseks hoidke vabastusklahvi all kauem kui kolm sekundit. Süsteem ei tuvasta võimalikku aku tõrget, mis on tingitud valest käsitlemisest, nt kukkumisest, torgetest, suurest kuumusest vm.

Seisund	Tähendus
Kõik LED-tuled süttivad pideva tulena ja seejärel põleb (1) LED-tuli pidevalt rohelise tulega.	Akut võib jätkuvalt kasutada.
Kõik LED-tuled süttivad pideva tulena (1) ja LED-tuli vilgub kiiresti kollase tulega.	Aku oleku kohta esitatud päringut ei saanud lõpetada. Korrake protsessi või pöörduge Hilti hooldekeskusse.



Seisund	Tähendus
Kõik LED-tuled süttivad pideva tulena ja seejärel põleb (1) ja LED-tuli pideva punase tulega.	Kui ühendatud seadet saab jätkuvalt kasutada, on aku allesjäänud mahtuvus alla 50%. Kui ühendatud seadet ei saa enam kasutada, on aku kasutusressurss ammendunud ja aku tuleb välja vahetada. Palun pöörduge Hilti hooldekeskusse.

4 Akupiikvasar

	TE 2000-22
Kaal vastavalt EPTA Procedure 01 ilma akuta	17,4 kg
Löögienergia (EPTA-Procudur 05)	38,2 J
Ümbritseva keskkonna temperatuur töötamise ajal	-17 °C ... 60 °C
Hoiutemperatuur	-20 °C ... 70 °C

4.1 Aku

Aku tööpinge	21,6 V
Aku kaal	Vt kasutusjuhendi lõpp
Ümbritseva keskkonna temperatuur töötamise ajal	-17 °C ... 60 °C
Hoiutemperatuur	-20 °C ... 40 °C
Aku temperatuur laadimise alguses	-10 °C ... 45 °C

4.2 Andmed müra ja vibratsiooni kohta vastavalt standardile EN 62841

Käesolevas juhendis märgitud helirõhu- ja vibratsioonitase on mõõdetud standarditud mõõtemetodil ja seda saab kasutada elektriliste tööriistade omavaheliseks võrdlemiseks. See sobib ka vibratsiooni- ja mürataseme esialgseks hindamiseks.

Toodud näitajad iseloomustavad elektrilise tööriista põhilisi ettenähtud töid. Kui aga elektrilist tööriista kasutatakse muul otstarbel, teiste tarvikutega või kui tööriista on ebapiisavalt hooldatud, võivad näitajad käesolevas juhendis toodud näitajatest kõrvale kalduda. See võib vibratsiooni- ja mürataset töötamise koguperioodil tunduvalt suurendada.

Ekspositsiooni täpseks hindamiseks tuleb arvesse võtta ka aega, mil seade oli välja lülitatud või küll sisse lülitatud, kuid tegelikult tööle rakendamata. See võib vibratsiooni- ja mürataset töö koguperioodi lõikes tunduvalt vähendada.

Kasutaja kaitseks müra ja/või vibratsiooni eest võtke tarvitusele täiendavaid kaitsemeetmeid, näiteks: hoidage elektrilist tööriista ja tarvikuid korralikult, hoidke käed soojad, tagage sujuv töökorraldus.

Teave müra kohta

Mõõdetud helivõimsustase (L_{WA})	98 dB(A)
Helivõimsustaseme mõõtemääramatus (K_{WA})	3 dB(A)
Helirõhutase (L_{pA})	87 dB(A)
Helirõhutaseme mõõtemääramatus (K_{pA})	3 dB(A)

Vibratsiooni kogutase

Meiseldamine ($a_{h, Ched}$)	B 22-170	3,8 m/s ²
	B 22-255	3,8 m/s ²
Mõõtemääramatus (K)		1,5 m/s ²

5 Töö ettevalmistamine

HOIATUS

Vigastuste oht soovimatu käivitumise tõttu!

- ▶ Enne aku paigaldamist veenduge, et seade on välja lülitatud.
- ▶ Enne seadme seadistamist ja tarvikute vahetamist eemaldage akud.



Järgige kasutusjuhendis esitatud ja tootele märgitud ohutusnõudeid ja hoiatusi.

5.1 Akude laadimine

1. Enne laadimist lugege laadimiseadme kasutusjuhendit.
2. Veenduge, et aku ja laadimiseadme kontaktid on puhtad ja kuivad.
3. Laadige akut selleks ettenähtud laadimiseadmega. → Lehekülj 77

5.2 Akude paigaldamine

HOIATUS

Vigastuste oht lühise või allakukkunud aku tõttu!

- ▶ Enne akude paigaldamist veenduge, et akude ja seadme kontaktid on vabad võõrkehaded.
- ▶ Veenduge, et akud alati korrektselt kohale fikseeruvad.

1. Enne esmakordset kasutuselevõtmist laadige akud täiesti täis.
2. Lükake akud seadmesse, kuni need kuuldavalt kohale fikseeruvad.
3. Kontrollige akude kindlat kinnitumist.

5.3 Aku eemaldamine

1. Vajutage aku vabastusnupule.
2. Tõmmake aku seadmest välja.

6 Käsitsemine

Järgige kasutusjuhendis esitatud ja tootele märgitud ohutusnõudeid ja hoiatusi.

6.1 Tarviku paigaldamine

1. Määrige tarviku padrunisse kinnitavat osa veidi.



Ebasobiva määre kasutamine võib seadet kahjustada. **Kasutage üksnes Hilti originaalmääret.**

2. Asetage tarvik padrunisse ja keerake seda kerge survega, kuni see kuuldavalt kohale fikseerub.
3. Tõmmake tarvikust, et kontrollida, kas see on kindlalt kinni.

6.2 Tarviku eemaldamine

ETTEVAATUST

Vigastuste oht! Tarvik võib olla kuum ja/või teravate servadega.

- ▶ Tarviku vahetamisel kandke kaitsekindaid.
- ▶ Ärge asetage kuuma tarvikut tuleohtlikule aluspinnale.

1. Tõmmake tarviku lukustus lõpuni tagasi.
2. Eemaldage tarvik.

6.3 Käsitsemine

Järgige kasutusjuhendis esitatud ja tootele märgitud ohutusnõudeid ja hoiatusi.

Kooskõlastage kõik tööd projektijuhiga!

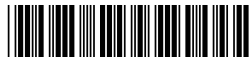
6.3.1 Meiseldamine

1. Asetage meisel soovitud asendisse.
2. Vajutage toitelülile.



Töötamine madalatel temperatuuridel:

Seadme löögimehanism hakkab tööle teatud temperatuuril. Selle saavutamiseks asetage seade hetkeks maha ja laske sellel töötada tühikäigul. Vajadusel korrake seda protsessi niikaua, kuni löögimehanism käivitub.



6.3.2 Väljalülitamine

- ▶ Vajutage toitelülitle.

6.3.3 Tööjuhised



Meislit saab lukustada 6 erinevasse asendisse (60° sammuga). Nii on lapik- ja profillimeislitega võimalik alati töötada optimaalses tööasendis.

- ▶ Asetage meisel servast umbes 80-100 mm (3 1/8" - 4") kaugusele.
- ▶ Armatuurraua korral juhtige meislit alati vastu materjali serva, mitte vastu armatuurrauda.
- ▶ Alustage meiseldamist betooni pinna suhtes 90° nurga all ja suunake ots serva poole. Seejärel valige 70° kuni 80° nurk ja murdke materjal lahti.
- ▶ Keerake meislit regulaarselt, kuna ühtlane kulumine toetab iseteritamist.
- ▶ Liiga väike rakendatav surve põhjustab meisli hüppamist. Liiga suur rakendatav surve põhjustab meiseldusvõimsuse vähenemist.

7 Teisaldamiskäru ja kohver B22C (XL)

7.1 Transport

Teisaldamiskäru tagab piikvasara ohutu transpordi.

Kohver B22C (XL) tagab laadimisseadme ja aku ohutu transpordi.

- Veenduge, et teisaldamiskäru on stabiilses asendis.
- Asetage seade selleks ette nähtud seadme kinnitamise tornile ja kinnitage see teisaldamise ajal alati lukustushoova abil.
- Seadke kohver B22C (XL) teisaldamiskärule ja lukustage käru külge.
- Veenduge, et transporditee on ohutu ja vaba takistustest.
- Ärge asetage käru kaldpindadele.
- Ärge transportige teisaldamiskäru ja kohvrit B22C (XL) kraanaga.
- Asetage meisel selleks ettenähtud hoidikusse, kuni see kohale fikseerub.
- Veenduge, et transporditee on ohutu ja vaba takistustest.
- Ärge asetage käru kaldpindadele.
- Ärge transportige teisaldamiskäru ja kohvrit B22C (XL) kraanaga.

8 Hooldus ja korrashoid



HOIATUS

Paigaldatud akude korral esineb vigastuste oht !

- ▶ Enne mis tahes hooldus- ja korrashooutöid eemaldage akud!

Toote hooldus

- Kõvasti kinni olev mustus eemaldage ettevaatlikult.
- Puhastage ventilatsiooniavasid ettevaatlikult kuiva harjaga.
- Puhastage korpust kergelt niiske lapiga. Ärge kasutage silikooni sisaldavaid hooldusvahendeid, sest need võivad kahjustada seadme plastdetaila.

Liitumioonakude hooldus

- Ärge kunagi kasutage akut, mille ventilatsiooniavad on ummistunud. Puhastage ventilatsiooniavasid ettevaatlikult kuiva, pehme harjaga.
- Kaitske akut tolmu ja mustuse eest. Ärge jätke akut kunagi suure niiskuse kätte (ärge asetage seda vette ja ärge jätke vihma kätte).
- Kui aku on märjaks saanud, siis käsitlege seda nii, nagu oleks see kahjustatud. Isoleerige aku tulekindlas anumus ja pöörduge **Hilti** hooldekeskusesse.
- Hoidke aku eemal õlist ja määrdeainetest. Vältige akusse asjatult tolmu ja mustuse kogunemist. Puhastage aku kuiva pehme harjaga või puhta kuiva lapiga.
- Ärge kasutage silikooni sisaldavaid hooldusvahendeid, sest need võivad kahjustada seadme plastdetaila.



- Puhastage korpust kergelt niiske lapiga. Ärge kasutage silikooni sisaldavaid hooldusvahendeid, sest need võivad kahjustada seadme plastdetaile.

Korrashoid

- Kontrollige regulaarselt nähtavate osade ja juhtelementide laitmatut töökorda.
- Kahjustuste ja/või tõrgete korral ei tohi seadet kasutada. Laske tööriist kohe **Hilti** teeninduskeskuses parandada.
- Pärast hooldus- ja remonttöid paigaldage kõik kaitseseadised ja kontrollige nende töökorda.



Tööohutuse tagamiseks kasutage ainult originaalvaruosi ja -materjale. Teie tootega sobivad ja meie poolt heakskiidetud varuosad, materjalid ja tarvikud leiате kauplusest **Hilti Store** või veebilehelt: www.hilti.group.

9 Akutööriistade ja akude transport ja ladustamine**Transport****⚠ ETTEVAATUST****Soovimatu käivitamine transportimisel !**

- ▶ Transportige tooteid ilma akudeta!
- ▶ Eemaldage aku/akud.
- ▶ Ärge kunagi transportige akusid lahtiselt. Enne aku transportimist tuleb aku pakendada nii, et see oleks kaitsitud löökide ja vibratsiooni eest ning isoleeritud kõikidest elektri juhtivatest materjalidest või teistest akudest, et vältida kokkupuudet teise aku poolustega ning lühise teket. **Järgige akude transpordi suhtes kehtivaid riigisiseid nõudeid.**
- ▶ Akusid ei tohi saata posti teel. Kahjustamata akude saatmiseks pöörduge logistikaettevõtja poole.
- ▶ Iga kord enne kasutamist ning enne ja pärast pikemat transporti või hoiustamist kontrollige seadet ja akusid vigastuste suhtes.

Hoiustamine**⚠ HOIATUS****Defektsed akud või lekkivad akud võivad tekitada vigastusi !**

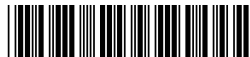
- ▶ Kasutusvälisel ajal eemaldage seadmest aku!
- ▶ Hoidke seadet ja akusid jahedas ja kuivas kohas. Pidage kinni tehnilistes andmetes toodud temperatuuripiirangutest.
- ▶ Ärge hoidke akusid laadimisseadmes. Pärast laadimist eemaldage aku laadimisseadmest.
- ▶ Ärge hoidke akusid päikese käes, radiaatori peal või klaasi taga.
- ▶ Hoidke seadet ja akusid lastele ja kõrvalistele isikutele ligipääsmatus kohas.
- ▶ Iga kord enne kasutamist ning enne ja pärast pikemaajalist seismist kontrollige seadet ja akusid kahjustuste suhtes.

10 Abi tõrgete puhul

Kõikide tõrgete puhul pöörake tähelepanu aku laetuse astme ja tõrgete indikaatoritele. Vt ptk **Liitumioonaku laetuse näidud**.

Kui peaks esinema tõrge, mida ei ole järgmises tabelis nimetatud või mida Te ei suuda ise kõrvaldada, pöörduge **Hilti** hooldeskeskusse.

Tõrge	Võimalik põhjus	Lahendus
Aku ei fikseeru kuuldava klõpsuga kohale.	Aku fiksaator või liides on määrdunud.	▶ Puhastage fiksaatorid ja paigaldage akud uuesti.
Aku tühjeneb tavalisest kiiremini.	Aku seisund ei ole optimaalne.	▶ Tehke kindlaks aku olek. → Lehekülg 78
Seade ei käivitu.	Paigaldatud on vaid üks laetud aku.	▶ Paigaldage teine laetud aku.
Puudub löögifunktsioon.	Seade on liiga külm.	▶ Asetage seade pinnale ja laske sellel töötada tühikäigul. Vajaduse korral korrake, kuni löögimehhanism hakkab tööle.



Tõrge	Võimalik põhjus	Lahendus
Seade või aku läheb väga kuumaks.	Elektriline rike.	<ul style="list-style-type: none"> Lülitage seade kohe välja. Eemaldage akud ja jälgige neid. Laske neil jahtuda. Võtke ühendust Hilti hooldekeskusega.
Seade lülitub töötamise ajal välja või ei käivitu	Seade/akud on liiga kuumad või akud on liiga külmad.	<ul style="list-style-type: none"> Lülitage välja, laske seadmel/akudel jahtuda. Akud on liiga külmad. Laske akudel jõuda soovituslikule töötemperatuurile.

11 Utiliseerimine

HOIATUS

Valest käitlemisest tingitud vigastuste oht! Eralduvad gaasid või vedelikud on terviseohtlikud.

- ▶ Ärge saatke kahjustada saanud akusid posti teel!
- ▶ Lühise vältimiseks katke akukontaktid elektrit mittejuhtiva materjaliga.
- ▶ Käideldes akusid nii, et need ei satu laste kätte.
- ▶ Utiliseerige aku **Hilti Store** esinduses või pöörduge asjaomase jäätmekäitlusettevõtte poole.

Enamik **Hilti** seadmete valmistamisel kasutatud materjalidest on taaskasutatavad. Taaskasutuse eelduseks on materjalide korralik sorteerimine. Paljudes riikides kogub **Hilti** kasutusressursi ammandanud seadmed kokku. Lisateavet saate **Hilti** müügiesindusest.



- ▶ Ärge visake kasutusressursi ammandanud elektrilisi tööriistu, elektroonikaseadmeid ja akusid olmejäätmete hulka!

12 Tootja garantii

- ▶ Kui Teil on küsimusi garantiitingimuste kohta, pöörduge **Hilti** müügiesindusse.

13 Lisateave

Lisateavet käsitsemise, tehnika, keskkonna ja übertöötamise kohta leiate lingilt: qr.hilti.com/manual/?id=2301751&id=2301753

See link sisaldub ka käesoleva kasutusjuhendi lõpus QR-koodina.

Originālā lietošanas instrukcija

1 Informācija par dokumentāciju

1.1 Par šo dokumentāciju

- Pirms ekspluatācijas sākšanas obligāti izlasiet šo dokumentāciju. Tas ir priekšnoteikums darba drošībai un izstrādājuma lietošanai bez traucējumiem.
- Ievērojiet drošības norādījumus un brīdinājumus, kas atrodami šajā dokumentācijā un uz izstrādājuma.
- Vienmēr glabājiet lietošanas instrukciju izstrādājuma tuvumā un nododiet to kopā ar izstrādājumu, ja tas tiek nodots citām personām.

1.2 Apzīmējumu skaidrojums

1.2.1 Brīdinājumi

Brīdinājumi pievērš uzmanību bīstamībai, kas pastāv, strādājot ar izstrādājumu. Tiek lietoti šādi signālvārdi:



⚠ BĪSTAMI!

BĪSTAMI! !

- ▶ Pievērš uzmanību draudošām briesmām, kas var izraisīt smagus miesas bojājumus vai nāvi.

⚠ BRĪDINĀJUMS!

BRĪDINĀJUMS! !

- ▶ Pievērš uzmanību iespējamam apdraudējumam, kas var izraisīt smagas traumas vai pat nāvi.

⚠ IEVĒROT PIESARDZĪBU!

UZMANĪBU! !

- ▶ Norāda uz iespējami bīstamām situācijām, kas var izraisīt traumas vai materiālos zaudējumus.

1.2.2 Simboli lietošanas instrukcijā

Šajā lietošanas instrukcijā tiek izmantoti šādi simboli:

	Ievērojiet lietošanas instrukciju
	Norādījumi par lietošanu un cita noderīga informācija
	Rīcība ar atreiz pārstrādājamiem materiāliem
	Neizmetiet elektroiekārtas un akumulatorus sadzīves atkritumos.
	Hilti Litija jonu akumulators
	Hilti Lādētājs

1.2.3 Attēlos lietotie simboli

Attēlos tiek lietoti šādi simboli:

	Šie skaitļi norāda uz attiecīgajiem attēliem, kas atrodami šīs lietošanas instrukcijas sākumā.
	Numerācija attēlos atbilst veicamo darbību secībai un var atšķirties no darbību apraksta tekstā.
	Pozīciju numuri tiek lietoti attēlā Pārskats un norāda uz leģendas numuriem sadaļā Izstrādājuma pārskats .
	Šī simbola uzdevums ir pievērst īpašu uzmanību izstrādājuma lietošanas laikā.

1.3 Simboli atkarībā no izstrādājuma

1.3.1 Simboli uz izstrādājuma

Uz izstrādājuma var tikt lietoti šādi simboli:

	Aizliegts transportēt ar ceļamkrānu
	Izstrādājums atbalsta tehnoloģiju NFC, kas ir saderīga ar iOS un Android platformām.
Li-Ion	Litija jonu akumulators
	Nekādā gadījumā nelietojiet akumulatoru kā triecieninstrumentu.
	Sargājiet akumulatoru no kritieniem. Nelietojiet akumulatoru, ja tas ir bijis pakļauts triecienam vai tam ir radušies cita veida bojājumi.



1.4 Izstrādājuma informācija

izstrādājumi ir paredzēti profesionāliem lietotājiem, un to darbināšanu, apkopi un tehniskā stāvokļa uzturēšanu drīkst veikt tikai kvalificēts, atbilstīgi apmācīts personāls. Personālam ir jābūt labi informētam par iespējamajiem riskiem, kas var rasties darba laikā. Izstrādājums un tā papildaprīkojums var radīt bīstamas situācijas, ja to uztic neprofesionālam personālam vai nelieto atbilstīgi nosacījumiem. Iekārtas tipa apzīmējums un sērijas numurs ir norādīti uz identifikācijas datu plāksnītes.

- ▶ Ierakstiet sērijas numuru zemāk redzamajā tabulā. Izstrādājuma dati jānorāda, vērojoties mūsu pārstāvnīcībā vai servisā.

Izstrādājuma dati

Atskaldāmais āmurs	TE 2000-22
Paaudze	01
Sērijas Nr.	

1.5 Atbilstības deklarācija

Ražotājs, uzņemoties pilnu atbildību, apliecina, ka šeit aprakstītais izstrādājums atbilst spēkā esošo tiesību aktu un standartu prasībām. Atbilstības deklarācijas attēls ir atrodams šīs dokumentācijas beigās.

Tehnisko dokumentāciju glabā:

Hilti Entwicklungsgesellschaft mbH | Zulassung Geräte | Hiltistraße 6 | 86916 Kaufering, DE

2 Drošība

2.1 Vispārīgi drošības norādījumi par darbu ar elektroiekārtām

⚠ BRĪDINĀJUMS! Iepazīstieties ar visiem drošības norādījumiem, instrukcijām, attēliem un tehniskajiem parametriem, kas attiecas uz šo elektroiekārtu. Turpmāk izklāstīto instrukciju neievērošana var izraisīt elektrošoku, ugunsgrēku un/vai nopietnas traumas.

Saglabājiet visus drošības norādījumus un instrukcijas turpmākai lietošanai.

Drošības norādījumos lietotais apzīmējums "elektroiekārta" attiecas uz iekārtām ar tīkla barošanu (ar barošanas kabeli) vai iekārtām ar barošanu no akumulatora (bez kabeļa).

Drošība darba vietā

- ▶ **Uzturiet darba vietā tīrību un kārtību un nodrošiniet labu apgaismojumu.** Nekārtīgā darba vietā vai sliktā apgaismojumā var viegli notikt nelaimes gadījums.
- ▶ **Nestrādājiet ar elektroiekārtu sprādzienbīstamā vidē, kur atrodas uzliesmojoši šķidrumi, gāzes vai putekļi.** Darbības laikā elektroiekārtas mēdz dzirkstēlot, un tas var izraisīt viegli uzliesmojošu putekļu vai tvaiku aizdegšanos.
- ▶ **Lietojot elektroiekārtu, neļaujiet nepiederošām personām un jo īpaši bērniem tuvoties darba vietai.** Citu personu klātbūtne var novērst uzmanību, un tā rezultātā jūs varat zaudēt kontroli pār iekārtu.

Elektrodrošība

- ▶ **Elektroiekārtas kontaktdakšai jāatbilst elektrotīkla kontaktligzdai. Kontaktdakšas konstrukciju nedrīkst nekādā veidā mainīt. Kopā ar elektroiekārtām, kurām ir aizsargzemējums, nedrīkst lietot adapteru spraudņus.** Neizmaiņātas konstrukcijas kontaktdakša, kas atbilst kontaktligzdai, ļauj samazināt elektrošoka risku.
- ▶ **Darba laikā nepieskarieties sazemētiem priekšmetiem, piemēram, caurulēm, radiatoriem, plītiem vai ledusskapjiem.** Pieskaroties sazemētām virsmām, pieaug risks saņemt elektrisko triecienu.
- ▶ **Nelietojiet elektroiekārtu lietus laikā, neturiet to mitrumā.** Mitrumam iekļūstot elektroiekārtā, pieaug risks saņemt elektrisko triecienu.
- ▶ **Nenesiet un nepakariniet elektroiekārtu aiz barošanas kabeļa un neraujiet aiz kabeļa, ja vēlaties atvienot iekārtu no elektrotīkla kontaktligzdas. Sargājiet barošanas kabeli no karstuma, eļļas, asām šķautnēm vai kustīgām detaļām.** Bojāts vai sapīņķerējis barošanas kabelis var kļūt par cēloni elektrošokam.
- ▶ **Darbinot elektroiekārtu ārpus telpām, izmantojiet tās pievienošanai vienīgi tādus pagarinātājkabeļus, kas ir paredzēti lietošanai brīvā dabā.** Lietojot elektrokabeļus, kas ir piemēroti darbam ārpus telpām, samazinās elektrošoka risks.
- ▶ **Ja elektroiekārtas izmantošana slapjā vidē ir obligāti nepieciešama, lietojiet bojājumstrāvas aizsargslēdzi.** Bojājumstrāvas aizsargslēdža lietošana samazina elektrošoka risku.



Personiskā drošība

- ▶ **Strādājiet ar elektroiekārtu uzmanīgi, darba laikā saglabājiet paškontroli un rīkojieties saskaņā ar veselouprātību. Ar elektroiekārtu nedrīkst strādāt personas, kas ir nogurušas vai atrodas narkotiku, alkohola vai medikamentu ietekmē.** Mirklis neuzmanības, strādājot ar elektroiekārtu, var novest pie nopietnām traumām.
- ▶ **Izmantojiet individuālos aizsardzības līdzekļus un darba laikā vienmēr valkājiet aizsargbrilles.** Individuālo aizsardzības līdzekļu (putekļu aizsargmaskas, nelidošu apavu un aizsargķiveres vai ausu aizsargu) lietošana atbilstoši elektroiekārtas tipam un veicamā darba raksturam ļauj izvairīties no savainojumiem.
- ▶ **Nepieļaujiet iekārtas nekontrolētas ieslēgšanās iespēju.** Pirms pievienošanas elektrotīklam, akumulatora ievietošanas, elektroiekārtas satveršanas vai pārvietošanas pārliecinieties, ka tā ir izslēgta. Ja iekārtas pārvietošanas laikā pirksts atrodas uz slēdža vai ja ieslēgta iekārta tiek pievienota elektrotīklam, var notikt nelaimes gadījums.
- ▶ **Pirms elektroiekārtas ieslēgšanas jānoņem visi regulēšanas piederumi un uzgriežņu atslēgas.** Regulēšanas piederumi vai uzgriežņu atslēga, kas iekārtas ieslēgšanas brīdī atrodas iekārtā, var radīt traumas.
- ▶ **Izvairieties no nedabiskām pozām.** Darba laikā vienmēr saglabājiet līdzsvaru un nodrošinieties pret paslidēšanu. Tas atvieglos elektroiekārtas vadību neparedzētās situācijās.
- ▶ **Izvēlieties darbam piemērotu apģērbu.** Darba laikā nenēsājiet brīvi plandošas drēbes un rotaslietas. Netuviniet matus, apģērbu un aizsargcimdus iekārtas kustīgajām daļām. Vaļīgas drēbes, rotaslietas un garī mati var iekerties iekārtas kustīgajās daļās.
- ▶ **Ja elektroiekārtas konstrukcija ļauj pievienot putekļu nosūkšanas vai savākšanas ierīci, sekojiet, lai tā būtu pievienota un tiktu darbināta pareizi.** Putekļu nosūcēja lietošana samazina putekļu kaitīgo ietekmi.
- ▶ **Nezaudējiet modrību un neatkāpieties no elektroiekārtu lietošanas drošības noteikumu ievērošanas arī tad, ja lietojat attiecīgu elektroiekārtu bieži un kārtīgi to pārzināt.** Neuzmanība vienā sekundes daļā var novest pie smagām traumām.

Elektroiekārtas lietošana un apkope

- ▶ **Nepārslodojiet elektroiekārtu.** Katram darbam izvēlieties piemērotu iekārtu. Elektroiekārta darbosies labāk un drošāk pie nominālās slodzes.
- ▶ **Nelietojiet elektroiekārtu, ja ir bojāts tās slēdzis.** Elektroiekārta, ko nevar ieslēgt un izslēgt, ir bīstama un nekavējoties jānodod remontā.
- ▶ **Pirms iestatījumu veikšanas, aprikojuma daļu nomaiņas vai iekārtas novietošanas uzglabāšanā atvienojiet kontaktakšu no elektrotīkla un/vai noņemiet noņemamo akumulatoru.** Šādi jūs novērsīsiet elektroiekārtas neaizsargātas ieslēgšanās risku.
- ▶ **Elektroiekārtu, kas netiek darbināta, uzglabājiet piemērotā vietā.** Neļaujiet lietot iekārtu personām, kas nav iepaziņš ar tās funkcijām un izlasījušas šo lietošanas instrukciju. Ja elektroiekārtu lieto nekompetentas personas, tas var apdraudēt cilvēku veselību.
- ▶ **Rūpīgi veiciet elektroiekārtu un to piederumu apkopi.** Pārbaudiet, vai kustīgās daļas darbojas bez traucējumiem un neķeras un vai kāda no daļām nav salauzta vai bojāta un tādējādi netraucē elektroiekārtas nevainojamu darbību. Raugieties, lai pirms iekārtas lietošanas tiktu nomaiņītas vai saremontētas bojātās daļas. Daudzi nelaimes gadījumi notiek tāpēc, ka elektroiekārtām nav nodrošināta pareiza apkope.
- ▶ **Griezējinstrumentiem vienmēr jābūt uzasinātiem un tīriem.** Rūpīgi kopti griezējinstrumenti ar asām šķautnēm retāk iestrēgst un ir vieglāk vadāmi.
- ▶ **Lietojiet elektroiekārtu, piederumus, maināmos instrumentus utt. saskaņā ar šiem norādījumiem.** Jāņem vērā arī konkrētie darba apstākļi un veicamās operācijas īpatnības. Elektroiekārtu lietošana citiem mērķiem, nekā to ir paredzējis ražotājs, ir bīstama un var izraisīt neparedzamas sekas.
- ▶ **Raugieties, lai rokturu vai satveršanas virsmas būtu sausas, tīras, nenotraiņītas ar eļļu un smērvielām.** Ja rokturu vai satveršanas virsmas ir slidenas, nav iespējama droša elektroiekārtas vadība un kontrole neparedzamās situācijās.

Ar akumulatoru darbināmas iekārtas lietošana un apkope

- ▶ **Akumulatora uzlādei jālieto tikai ražotāja ieteiktie lādētāji.** Noteikta veida akumulatoriem paredzēts lādētājs kļūst ugunsbīstams, ja to izmanto ar cita veida akumulatoriem.
- ▶ **Izmantojiet elektroiekārtas barošanai tikai tai paredzētos akumulatorus.** Cita tipa akumulatoru lietošana var izraisīt iekārtas un/vai akumulatora aizdegšanos.
- ▶ **Laikā, kad akumulators ir atvienots no iekārtas, nepieļaujiet tā kontaktu saskaršanos ar saspaudēm, monētām, atslēgām, naglām, skrūvēm vai citiem nelieliem metāla priekšmetiem, kas varētu izraisīt īssavienojumu.** Ja starp akumulatora kontaktiem rodas īssavienojums, tas var sadegt vai kļūt par ugunsgrēka cēloni.



- ▶ **Nepareizi lietojot akumulatoru, no tā var izplūst šķidrums. Nepieļaujiet tā nokļūšanu uz ādas. Ja tas tomēr nejausi ir noticis, noskalojiet ar ūdeni. Ja šķidrums iekļūst acīs, izskalojiet acis un nekavējoties vērsieties pie ārsta.** No akumulatora izplūdušais šķidrums var izraisīt ādas kairinājumu vai apdegumus.
- ▶ **Nelietojiet bojātus vai modificētus akumulatorus.** Bojāti vai modificēti akumulatori var radīt neparedzamas situācijas un izraisīt ugunsgrēku, eksploziju vai traumas.
- ▶ **Nepakļaujiet akumulatoru uguns vai augstas temperatūras iedarbībai.** Uguns vai temperatūra virs 130 °C (265 °F) var izraisīt eksploziju.
- ▶ **Ievērojiet norādījumus par akumulatora lādēšanu un nekad nelādējiet akumulatoru vai ar akumulatoru darbināmo iekārtu ārpus lietošanas instrukcijā norādītā temperatūras diapazona.** Nepareiza lādēšana vai pieļaujamā temperatūras diapazona pārsniegšana var sabojāt akumulatoru un palielināt aizdegšanās risku.

Serviss

- ▶ **Uzdodiet elektroiekārtas remontu veikt tikai kvalificētam personālam, kas izmanto vienīgi oriģinālās rezerves daļas.** Tikai tā ir iespējams saglabāt iekārtas funkcionālo drošību.
- ▶ **Nekādā gadījumā neveiciet bojātu akumulatoru apkopi.** Jebkādas akumulatoru apkopes darbus drīkst veikt tikai ražotājs vai atbilstīgi pilnvarots klientu apkalpošanas dienests.

2.2 Drošības noteikumi darbam ar perforatoriem

Drošības norādījumi visiem darbiem

- ▶ **Lietojiet dzirdes aizsargapriekojumu.** Trokšņa iedarbība var izraisīt dzirdes zudumu.
- ▶ **Lietojiet kopā ar iekārtu piegādātos papildu rokturus.** Kontroles zudums var kļūt par cēloni traumām.
- ▶ **Ja darba laikā pastāv iespēja, ka instruments var nonākt saskarē ar aplēptiem elektriskajiem vadiem, vienmēr satveriet iekārtu aiz izolētajām rokturu virsmām.** Saskaroties ar spriegumam pieslēgtiem vadiem, spriegums tiek novadīts uz iekārtas metāla daļām, radot elektrošoka risku.

2.3 Papildnorādījumi par atskaldāmā āmura drošību

Personīgā drošība

- ▶ Lietojiet izstrādājumu un tā papildprikojumu tikai tad, ja tas ir nevainojamā stāvoklī.
- ▶ Nekādā gadījumā nemēģiniet ietekmēt izstrādājuma vai tā papildprikojuma funkcijas vai to pārveidot.
- ▶ Ja vien iespējams, lietojiet transportēšanas ratiņus vai citus transportēšanas līdzekļus. Ja nav pieejami transportēšanas ratiņi vai citi transportēšanas līdzekļi, izstrādājuma pārvietošana vienmēr jāveic divām personām. Ņemiet vērā, ka izstrādājumam kopā ar transportēšanas ratiņiem ir ievērojams svars.
- ▶ Veicot kalšanu griestos, sienās un grīdās, ieņemiet drošu un stabilu pozu. Pēkšņa konstrukcijas caurkalšana var izraisīt līdzsvara zudumu!
- ▶ Pirms laušanas vai urbšanas darbiem, kas šķērso būvkonstrukciju daļas, atbilstoši jānodrošina attiecīgās būvkonstrukcijas daļas pretējā puse. Atlūzušās materiāla daļas var izkrist caur atveri un/vai nokrist un savainot cilvēkus.
- ▶ Lietotājam un tuvumā esošajām personām izstrādājuma lietošanas laikā jāvalkā acu aizsarglīdzekļi, aizsargķivere, dzirdes aizsarglīdzekļi un iegli elpceļu aizsarglīdzekļi.
- ▶ Putekļi, kas rodas slīpēšanas, griešanas un urbšanas laikā, var saturēt bīstamas ķīmikālijas. Daži piemēri: svins vai krāsas uz svina bāzes; ķieģeļi, betons un citi mūra materiāli, dabīgais akmens un citi silīkāts saturoši produkti; noteiktu veidu koksne, piemēram, skābardis, ozols un ķīmiska apstrādāta koksne; azbests vai azbestu saturoši materiāli. Nosakiet ekspozīcijas līmeni, kam pakļauts iekārtas lietotājs un tuvumā esošās personas, vadoties pēc apstrādājamo materiālu bīstamības kategorijas. Veiciet nepieciešamos pasākumus, lai ekspozīcija nesasniegtu kaitīgu līmeni, piemēram, lietojiet putekļu nosūkšanas sistēmu vai piemērotus elpceļu aizsardzības līdzekļus. Vispārīgi ekspozīcijas ierobežošanas pasākumi ir šādi:
 - ▶ darbs labi vēdināmās vietās,
 - ▶ izvairšanās no ilgstošas saskares ar putekļiem,
 - ▶ putekļu novirzīšana projām no sejas un ķermeņa,
 - ▶ aizsargapģērba valkāšana un savārtītā apģērba mazgāšana ar ūdeni un ziepēm.
- ▶ Instrumenta nomaiņas laikā valkājiet aizsargcimdus. Saskare ar maināmo instrumentu var izraisīt grieztas traumas un apdegumus.
- ▶ Trauma risks, ko rada kritoši instrumenti un/vai piederumi. Pirms darba sākšanas pārbaudiet, vai akumulators un uzmontētais papildprikojums ir kārtīgi nofiksēti.
- ▶ Vienmēr raugieties, lai nebūtu nosprostotas ventilācijas atveres. Ventilācijas atveru nosprostošanās var izraisīt apdegumus!



- ▶ Valkājiet aizsargbrilles vai masku. Materiāla šķembas var savainot ķermeni un acis.
- ▶ Biežāk pārtrauciet darbu un izpildiet pirkstu vingrinājumus, kas uzlabo asinsriti. Ilgstoša darba gadījumā spēcīga vibrācija var radīt traucējumus pirkstu, roku vai plaukstu locītavu asinsvadu un nervu sistēmas funkcijās.
- ▶ Raugieties, lai izstrādājums vienmēr būtu novietots stabili. Novietojiet izstrādājumu uz gludas un stabilas virsmas, kas nav pakļauta vibrācijai un satricinājumiem.

Elektrodrošība

- ▶ Pirms darba sākšanas pārbaudiet, vai darba zonā neatrodas neseģti elektrības vadi, gāzes vai ūdensapgādes caurules. Iekārtas ārējās metāla daļas var izraisīt elektriskās strāvas triecienu vai izraisīt eksploziju, ja darba laikā tiek bojāti elektriskie vadi, gāzes vai ūdens caurules.

Rūpīga elektroiekārtu lietošana un apkope

- ▶ Nekad nenolieciet elektroiekārtu, kamēr nav pilnībā apstājies tajā nostiprinātā instrumenta kustība.
- ▶ Ieslēdziet iekārtu tikai tad, kad tā atrodas darba pozīcijā.

2.4 Akumulatoru pareiza lietošana un apkope

- ▶ **Ievērojiet turpmāk izklāstītos drošības norādījumus, lai litija jonu akumulatoru lietošana neradītu apdraudējumu.** Norādījumu neievērošana var izraisīt ādas kairinājumu, smagas korozīvas traumas, ķīmiskos apdegumus, ugunsgrēku vai eksploziju.
- ▶ Lietojiet akumulatorus tikai tad, ja tie ir nevainojamā tehniskajā stāvoklī.
- ▶ Rīkojieties ar akumulatoriem uzmanīgi, lai pasargātu tos no bojājumiem un nepieļautu veselībai ļoti kaitīgu šķidrumu izplūdi!
- ▶ Nekādā gadījumā nedrīkst veikt akumulatoru pārveidi vai citas neatļautas manipulācijas!
- ▶ Akumulatorus nedrīkst izjaukt, saspīest, sakarsēt virs 80 °C (176 °F) vai sadedzināt.
- ▶ Nelietojiet un nemēģiniet uzlādēt akumulatorus, kas bijuši pakļauti triecieniem vai ir bojāti citā veidā. Regulāri pārbaudiet, vai akumulatoriem nav konstatējamas bojājumu pazīmes.
- ▶ Nekādā gadījumā nelietojiet atjaunotus vai remontētus akumulatorus.
- ▶ Nekādā gadījumā nelietojiet akumulatoru vai ar akumulatoru darbināmu elektroiekārtu kā instrumentu sišanai.
- ▶ Nekādā gadījumā nepakļaujiet akumulatorus tiešiem saules stariem, augstai temperatūrai, dzirkstelēm vai atklātai liesmai. Tas var izraisīt eksploziju.
- ▶ Nepieskarieties bateriju poliem ar pirkstiem vai instrumentiem un nepieļaujiet, ka tie nonāk saskarē ar rotaslietām vai citiem priekšmetiem, kam piemīt elektriskā vadītspēja. Tas var izraisīt akumulatoru bojājumus, kā arī materiālu kaitējumu un traumas.
- ▶ Sargājiet akumulatorus no lietus un mitruma un šķidrumiem. Mitruma iekļūšana var izraisīt īssavienojumu, elektrisko triecienu, apdegumus, ugunsgrēku un eksploziju.
- ▶ Lietojiet kopā ar akumulatoru tikai tā tipam paredzētos lādētājus un elektroiekārtas. Ievērojiet attiecīgo lietošanas instrukciju norādījumus.
- ▶ Nelietojiet un neuzglabājiet akumulatoru sprādzienbīstamā vidē..
- ▶ Ja akumulators kļūst pārāk karsts, iespējams, ka tas ir bojāts. Novietojiet akumulatoru labi pārredzamā, ugunsdrošā vietā, pietiekamā atstumā no degošiem materiāliem. Ļaujiet akumulatoram atdzist. Ja pēc stundas akumulators joprojām ir tik karsts, ka to ir grūti satvert, tas nozīmē, ka tas ir bojāts. Vērsieties servisā **Hilti** vai izlasiet dokumentu "Norādījumi par **Hilti** litija jonu akumulatoru drošību un lietošanu".



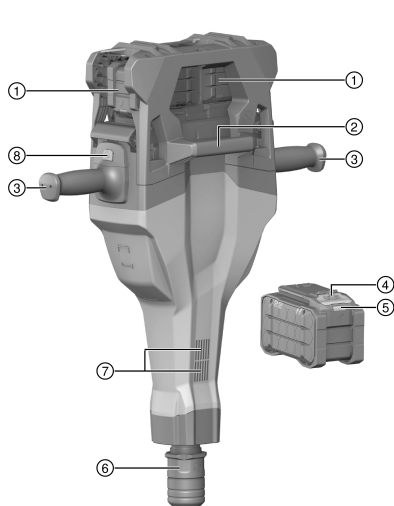
Ievērojiet īpašos norādījumus, kas attiecas uz litija jonu akumulatoru transportēšanu, uzglabāšanu un lietošanu. → Lappuse 94

Izlasiet Norādījumus par **Hilti** litija jonu akumulatoru drošību un lietošanu, kas ir pieejami, noskenējot QR kodu šīs lietošanas instrukcijas beigās.



3 Apraksts

3.1 Izstrādājuma pārskats 1



- ① Akumulatori
- ② Pārnēsāšanas rokturis
- ③ Rokturi
- ④ Akumulatora atbloķēšanas taustiņš
- ⑤ Akumulatora statusa indikācija
- ⑥ Instrumenta patrona
- ⑦ Ventilācijas atveres
- ⑧ Ieslēgšanas / izslēgšanas slēdzis

3.2 Transportēšanas ratiņu un kofera B22/C (XL) (opcija) pārskats 2

- ① Rokturis
- ② Kravas nodrošinājums
- ③ Bloķēšanas stīpa
- ④ Akumulatora kofera B22/C (XL) bloķēšana
- ⑤ Patērējamā materiāla turētājs (kalts)
- ⑥ Riteņi
- ⑦ Riteņa fiksācija (paplāksne, šķelttapa)
- ⑧ Iekārtas nostiprināšanas rēdze
- ⑨ Pārnēsāšanas rokturis
- ⑩ Akumulators
- ⑪ Lādētājs
- ⑫ Koferis B22/C (XL)

3.3 Nosacījumiem atbilstīga lietošana

Aprakstītais izstrādājums ir manuāli vadāms atskaldāmais āmurs ar akumulatoru. Tas ir paredzēts kalšanas darbiem betonā, mūrī un asfaltā. To var izmantot arī blietēšanas un rakšanas darbos.

Izstrādājumu drīkst lietot tikai grīdas virzienā.

- Lietojiet kopā ar šo izstrādājumu tikai sērijas B 22 **Hilti** litija jonu akumulatorus Nuron. Lai nodrošinātu optimālu darbības efektivitāti, **Hilti** iesaka kopā ar šo izstrādājumu lietot šīs lietošanas instrukcijas beigās iekļautajā tabulā norādītos akumulatorus.
- Lietojiet šo akumulatoru uzlādēšanai tikai šīs lietošanas instrukcijas beigās iekļautajā tabulā norādīto sēriju **Hilti** lādētājus.

3.4 Nepareiza lietošana

- Ar šo izstrādājumu nedrīkst strādāt slapjā un mitrā vidē.
- Nelietojiet izstrādājumu vietās, kur pastāv ugunsgrēka vai eksplozijas risks.
- Nedrīkst apstrādāt veselībai kaitīgus materiālus (piemēram, azbestu).
- Nelietojiet izstrādājuma pārvietošanai ceļamkrānu.
- Nestrādājiet uz pieslienamajām kāpnēm.
- Izstrādājumu nedrīkst lietot horizontālā darba virzienā pret sienu.
- Nelietojiet instrumenta drošības virves.



3.5 Active Vibration Reduction

Izstrādājums ir aprīkots ar sistēmu Active Vibration Reduction (AVR), kas ievērojami samazina vibrāciju.

3.6 Piegādes komplektācija

Atskaldāmais āmurs ar akumulatoru, lietošanas instrukcija, smērieva

Transportēšanas ratiņi un koferis akumulatoriem un lādētājam tiek piedāvāti kā papildaprīkojums.

Citus šim izstrādājumam izmantojamus sistēmas produktus meklējiet **Hilti Store** vai tīmekļvietnē: www.hilti.group

3.7 Litija jonu akumulatora indikācija

Hilti litija jonu akumulatoru Nuron indikācija var informēt par akumulatora uzlādes līmeni, kļūmēm un stāvokli.

3.7.1 Uzlādes līmeņa indikācija un kļūmes paziņojumi

BRĪDINĀJUMS!

Traumu risks akumulatora nokrišanas gadījumā!

- Ja akumulators ir ievietots un tiek nospiests atbloķēšanas taustiņš, nodrošiniet, lai akumulators atkal tiktu kārtīgi nofiksēts izstrādājumā.

Lai redzētu kādu no turpmāk aprakstītajām indikācijas veidiem, īsi nospiediet akumulatora atbloķēšanas taustiņu.

Uzlādes līmeņa un varbūtējo traucējumu indikācija ir redzama arī pastāvīgi, kamēr izstrādājums ir ieslēgts.

Stass	Nozīme
Četras (4) LED konstanti deg zaļā krāsā	Uzlādes līmenis: no 100 % līdz 71 %
Trīs (3) LED konstanti deg zaļā krāsā	Uzlādes līmenis: no 70 % līdz 51 %
Divas (2) LED konstanti deg zaļā krāsā	Uzlādes līmenis: no 50 % līdz 26 %
(1) LED konstanti deg zaļā krāsā	Uzlādes līmenis: no 25 % līdz 10 %
Viena (1) LED lēni mirgo zaļā krāsā	Uzlādes līmenis: < 10 %
(1) LED ātri mirgo zaļā krāsā	Litija jonu akumulators ir pilnībā izlādējies. Uzlādējiet akumulatoru. Ja LED pēc akumulatora uzlādes joprojām ātri mirgo, vērsieties Hilti servisā.
(1) LED ātri mirgo dzeltenā krāsā	Litija jonu akumulators vai tam pievienotais izstrādājums ir pārslogots, pārāk karsts vai pārāk auksts vai ir radusies cita kļūme. Nodrošiniet, lai izstrādājums vai akumulators būtu ieteicamajā darba temperatūrā, un lietojiet izstrādājumu tā, lai tas netiktu pārslogots. Ja indikācija nepazūd, vērsieties Hilti servisā.
Viena (1) LED konstanti deg dzeltenā krāsā	Litija jonu akumulators un ar to savienotais izstrādājums nav savā starpā saderīgi. Lūdzu, vērsieties Hilti servisā.
(1) LED ātri mirgo sarkanā krāsā	Litija jonu akumulators ir bloķēts un nav lietojams. Lūdzu, vērsieties Hilti servisā.

3.7.2 Akumulatora stāvokļa indikācijas

Lai apskatītu akumulatora stāvokļa indikāciju, turiet atbloķēšanas taustiņu nospiestu ilgāk nekā trīs sekundes. Sistēma konstatē, ka potenciālu baterijas kļūmi, ko var izraisīt neatbilstīga apiešanās, piemēram, kritiens, saduršana, ārēja karstuma iedarbība utt.

Stass	Nozīme
Visas LED deg kā skrejošā gaisma, pēc tam viena (1) LED konstanti deg zaļā krāsā.	Akumulatoru var turpināt lietot.



Stassus	Nozīme
Visas LED deg kā skrejošā gaisma, pēc tam viena (1) LED konstanti deg dzeltenā krāsā.	Akumulatora stāvokļa informācijas nolasišanu neizdevās pabeigt. Atkārtojiet procesu vai vērsieties Hilti servisā.
Visas LED deg kā skrejošā gaisma, pēc tam viena (1) LED konstanti deg sarkanā krāsā.	Ja pievienoto izstrādājumu var turpināt lietot, atlikusi akumulatora kapacitāte ir mazāka nekā 50 %. Ja pievienoto izstrādājumu vairs nevar lietot, akumulators ir savu laiku nokalpojis un jānomaina pret citu. Lūdzu, vērsieties Hilti servisā.

4 Atskaldāmais āmurs ar akumulatoru

	TE 2000-22
Svars atbilstīgi EPTA Procedure 01 bez akumulatora	17,4 kg
Atsevišķu triecienu enerģija (EPTA-Procedur 05)	38,2 J
Apkārtējā temperatūra darbības laikā	-17 °C ... 60 °C
Uzglabāšanas temperatūra	-20 °C ... 70 °C

4.1 Akumulators

Akumulatora darba spriegums	21,6 V
Akumulatora svars	Skat. šīs lietošanas instrukcijas beigās
Apkārtējā temperatūra darbības laikā	-17 °C ... 60 °C
Uzglabāšanas temperatūra	-20 °C ... 40 °C
Akumulatora temperatūra uzlādes sākumā	-10 °C ... 45 °C

4.2 Informācija par troksni un vibrāciju saskaņā ar EN 62841

Šajās instrukcijās norādītie lielumi, kas raksturo skaņas spiedienu un vibrāciju, ir noteikti ar standartizētas mērījumu metodes palīdzību, un tos var izmantot elektroiekārtu savstarpējai salīdzināšanai. Tos var izmantot arī trokšņa un vibrācijas iedarbības pagaidu novērtējumam.

Norādītie parametri attiecas uz elektroiekārtas galvenajiem lietošanas veidiem. Taču, ja elektroiekārta tiek izmantota citos nolūkos, ar citiem maināmajiem instrumentiem vai netiek nodrošināta pietiekama tās apkope, parametri var atšķirties no norādītajiem. Tas var ievērojami palielināt trokšņa un vibrācijas iedarbību visā darba laikā.

Lai precīzi novērtētu iedarbību, jāņem vērā arī laiks, cik ilgi iekārta ir izslēgta vai ir ieslēgta, taču faktiski netiek darbināta. Tas var būtiski samazināt iedarbību kopējā darba laikā.

Jāparedz papildu drošības pasākumi, lai aizsargātu iekārtas lietotāju pret trokšņa un/vai vibrācijas iedarbību, piemēram, elektroiekārtas un apkope, roku turēšana siltumā, darba procesu organizācija.

Informācija par troksni

Izmērītais skaņas jaudas līmenis (L_{WA})	98 dB(A)
Skaņas jaudas līmeņa pielāde (K_{WA})	3 dB(A)
Skaņas spiediena līmenis (L_{pA})	87 dB(A)
Skaņas spiediena līmeņa pielāde (K_{pA})	3 dB(A)

Kopējie vibrācijas rādītāji

Kalšana ($a_{h, Cheq}$)	B 22-170	3,8 m/s ²
	B 22-255	3,8 m/s ²
Iespējamā kļūda (K)		1,5 m/s ²



5 Sagatavošanās darbam

BRĪDINĀJUMS!

Traumu risks nejaušas iedarbošanās gadījumā!

- ▶ Pirms akumulatoru ievietošanas pārliecinieties, ka attiecīgais izstrādājums ir izslēgts.
- ▶ Pirms iekārtas iestatīšanas vai piederumu maiņas izņemiet akumulatorus.

Ievērojiet drošības norādījumus un brīdinājumus, kas atrodami šajā dokumentācijā un uz izstrādājuma.

5.1 Akumulatoru uzlāde

1. Pirms uzlādes sākšanas izlasiet lādētāja lietošanas instrukciju.
2. Raugieties, lai akumulatora un lādētāja kontaktu virsmas ir tīras un sausas.
3. Veiciet akumulatora uzlādi atbilstīgā lādētājā. → Lappuse 89

5.2 Akumulatoru ievietošana

BRĪDINĀJUMS!

Traumu risks īssavienojuma vai akumulatora nokrišanas gadījumā!

- ▶ Pirms akumulatoru ievietošanas pārliecinieties, ka uz akumulatoru un izstrādājuma kontaktiem neatrodas nekādi svešķermeņi.
 - ▶ Vienmēr pārliecinieties, ka akumulatori kārtīgi nofiksējas.
1. Pirms pirmās lietošanas pilnībā uzlādējiet akumulatorus.
 2. Iebīdīet akumulatorus izstrādājumā, līdz tie dzirdami nofiksējas.
 3. Pārbaudiet, vai akumulatori ir droši nofiksēti.

5.3 Akumulatora izņemšana

1. Nospiediet akumulatora atbloķēšanas taustiņu.
2. Izvelciet akumulatoru no iekārtas.

6 Lietošana

Ievērojiet drošības norādījumus un brīdinājumus, kas atrodami šajā dokumentācijā un uz izstrādājuma.

6.1 Maināmā instrumenta ievietošana

1. Viegli ieziediet maināma instrumenta galu ar smērvielu.



Nepiemērotas smērvielas lietošana var izraisīt izstrādājuma bojājumus. **Lietojiet tikai oriģinālās Hilti smērvielas.**

2. Ievietojiet maināmo instrumentu instrumenta patronā un, viegli piespiežot, pagrieziet to, līdz tas dzirdami nofiksējas.
3. Pavelkot instrumentu, jāpārbauda, vai tas ir nofiksējies kārtīgi.

6.2 Maināmā instrumenta izņemšana

IEVĒROT PIESARDZĪBU!

Traumu risks! Maināmais instruments var būt karsts un/vai ar asām malām.

- ▶ Darba instrumenta nomainīšanas laikā valkājiet aizsargcimdus.
- ▶ Nekādā gadījumā nenovietojiet karstu maināmo instrumentu uz degoša materiāla virsmas.

1. Līdz galam pavelciet atpakaļ instrumenta fiksācijas mehānismu.
2. Izņemiet maināmo instrumentu.

6.3 Lietošana

Ievērojiet drošības norādījumus un brīdinājumus, kas atrodami šajā dokumentācijā un uz izstrādājuma. Saņemiet visu darbu veikšanai apstiprinājumu no būvdarbu vadības!



6.3.1 Kalšana

1. Novietojiet kalnu tā, lai tas atrastos vēlamajā pozīcijā.
2. Nospiediet ieslēgšanas un izslēgšanas slēdzi.



Darbs zemā temperatūrā:

Lai triecienmehānisms sāktu darboties, izstrādājumam ir jāsasniedz minimālā darba temperatūra. Lai to nodrošinātu, uz neilgu brīdi novietojiet izstrādājumu uz virsmas un padarbiniet to tukšgaitā. Nepieciešamības gadījumā šo darbību atkārtojiet, līdz sāk darboties triecienmehānisms.

6.3.2 Izslēgšana

- ▶ Nospiediet ieslēgšanas un izslēgšanas slēdzi.

6.3.3 Darba norādījumi



Kalnu iespējams novietot 6 dažādās pozīcijās (ar 60° soli). Pateicoties tam, ar plakano kalnu un profila kalnu vienmēr var strādāt optimālā darba pozīcijā.

- ▶ Novietojiet kalnu apmēram 80-100 mm (3 1/8"-4") attālumā no malas.
- ▶ Apstrādājot materiālus ar metāla armatūru, vienmēr virziet kalnu pret materiāla malu, nevis pret armatūru.
- ▶ Sāciet kalšanu 90° leņķī attiecībā pret betona virsmu un novietojiet kalna smaili tā, lai tā būtu pavērta pret malu. Pēc tam mainiet leņķi 70° līdz 80° virzienā un izlauziet materiālu.
- ▶ Regulāri pagrieziet kalnu, jo vienmērīgs tā nolietojums veicina pašuzasināšanās procesu.
- ▶ Nepietiekama piespiešanas spēka gadījumā kalns lēkā. Pārāk liels piespiešanas spēks samazina kalšanas efektivitāti.

7 Transportēšanas ratiņi un koferis B22/C (XL)

7.1 Transportēšana

Transportēšanas ratiņi ir paredzēti atskaldāmā āmura drošai transportēšanai.

Koferis B22/C (XL) ir paredzēts drošai lādētāja un akumulatora pārvietošanai.

- Nodrošiniet, lai transportēšanas ratiņi būtu novietoti stabili.
- Novietojiet izstrādājumu uz šim nolūkam paredzētās iekārtas nostiprināšanas rēdzes un transportēšanas laikā vienmēr nodrošiniet to ar fiksācijas stīpu.
- Novietojiet koferi B22/C (XL) uz transportēšanas ratiņiem un nodrošiniet to ar bloķēšanas palīdzību.
- Izvēlieties drošus transportēšanas ceļus.
- Nenovietojiet ratiņus slīpumā.
- Nelietojiet transportēšanas ratiņu un kofera B22/C (XL) pārvietošanai ceļamkrānu.
- Iespraudiet kalnu šim nolūkam paredzētajā turētājā, līdz tas nokļūst.
- Izvēlieties drošus transportēšanas ceļus.
- Nenovietojiet ratiņus slīpumā.
- Nelietojiet transportēšanas ratiņu un kofera B22/C (XL) pārvietošanai ceļamkrānu.

8 Apkope un uzturēšana



BRĪDINĀJUMS!

Traumu risks ievietotu akumulatoru gadījumā !

- ▶ Pirms jebkādiem apkopes un remonta darbiem vienmēr izņemiet akumulatorus!

Izstrādājuma kopšana

- Uzmanīgi notīriet pielīpušos netīrumus.
- Ja izstrādājumam ir ventilācijas atveres, uzmanīgi iztīriet tās ar sausu birstīti.
- Korpusa tīrīšanai jālieto tikai nedaudz samitrināta drāniņa. Nedrīkst lietot silikonu saturošus kopšanas līdzekļus, kas var sabojāt plastmasas daļas.



Litija jonu akumulatoru apkope

- Nekādā gadījumā nelietojiet bateriju ar nosprostotām ventilācijas atverēm. Uzmanīgi iztīriet ventilācijas atveres ar sausu, mīkstu birstīti.
- Nepakļaujiet akumulatoru nevajadzīgai putekļu vai netīrumu ietekmei. Nekādā gadījumā nepakļaujiet akumulatoru spēcīgam mitrumam (piemēram, nemērciet to ūdenī un neatstājiet lietu).
Ja akumulators ir samircis, rīkojieties ar to tāpat, kā jūs rīkotos ar bojātu akumulatoru. Ievietojiet to izolētā nedegošā materiāla tvertnē un vērsieties **Hilti** servisā.
- Raugieties, lai akumulators nebūtu savārtīts ar eļļu un smērvielām. Raugieties, lai uz akumulatora nevajadzīgi neuzkrātos putekļi un netīrumi. Notīriet akumulatoru ar sausu, mīkstu birstīti vai tīru un sausu drāniņu.
Nelietojiet silikonu saturošus kopšanas līdzekļus, jo tie var sabojāt plastmasas daļas.
- Korpusa tīrīšanai jālieto tikai nedaudz samitrināta drāniņa. Nedrīkst lietot silikonu saturošus kopšanas līdzekļus, kas var sabojāt plastmasas daļas.

Uzturēšana

- Regulāri pārbaudiet visas redzamās daļas, lai pārliecinātos, ka tās nav bojātas un funkcionē nevainojami.
- Bojājumu un/vai funkciju traucējumu gadījumā izstrādājumu nedrīkst lietot. Tas nekavējoties jānodod **Hilti**, lai veiktu remontu.
- Pēc apkopes un remonta darbiem visas aizsargierīces jāpiemontē vietā un jāpārbauda, vai tās darbojas.



Lai iekārtas lietošana būtu droša, izmantojiet tikai oriģinālās rezerves daļas un patēriņa materiālus. Rezerves daļas un patēriņa materiālus, kuru lietošanu kopā ar šo iekārtu mēs akceptējam, var atrast **Hilti Store** vai tīmekļvietnē: www.hilti.group.

9 Iekārtu un akumulatoru transportēšana un uzglabāšana

Transportēšana



IEVĒROT PIESARDZĪBU!

Nekontrolēta iedarbošanās transportēšanas laikā !

- ▶ Pirms iekārtu transportēšanas vienmēr izņemiet no tām akumulatorus!
- ▶ Izņemiet akumulatoru / akumulatorus.
- ▶ Nekādā gadījumā netransportējiet akumulatorus nenostiprinātā veidā, sabērtus kaudzē. Transportēšanas laikā akumulatori jāsaugā no triecieniem un vibrācijas, kā arī jāizolē no jebkādiem materiāliem, kam piemīt elektriskā vadītspēja, un citiem akumulatoriem, lai nepieļautu to nonākšanu saskarē ar citu bateriju kontaktiem un īssavienojuma rašanos. **Ievērojiet vietējos noteikumus par akumulatoru transportēšanu.**
- ▶ Akumulatorus nedrīkst sūtīt pa pastu. Ja vēlaties nosūtīt nebojātus akumulatorus, vērsieties sūtījumu piegādes uzņēmumā.
- ▶ Pirms katras lietošanas, kā arī pēc ilgākas transportēšanas pārbaudiet, vai izstrādājums un akumulatori nav bojāti.

Uzglabāšana



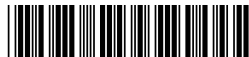
BRĪDINĀJUMS!

Neparedzami bojājumi bojātu vai izplūdušu akumulatoru dēļ !

- ▶ Pirms iekārtu novietošanas glabāšanā vienmēr izņemiet no tām akumulatorus!
- ▶ Glabājiet izstrādājumu un akumulatorus vēsā un sausā vietā. Ievērojiet temperatūras robežvērtības, kas norādītas tehnisko parametru sadaļā.
- ▶ Neglabājiet akumulatorus uz lādētāja. Pēc uzlādes procesa vienmēr noņemiet akumulatoru no lādētāja.
- ▶ Nekad neglabājiet akumulatorus saulē, uz siltuma avotiem vai aiz stikla.
- ▶ Glabājiet izstrādājumu un akumulatorus tā, lai tiem nevarētu piekļūt bērni un nepiederošas personas.
- ▶ Pirms katras lietošanas, kā arī pēc ilgākas uzglabāšanas pārbaudiet, vai izstrādājums un akumulatori nav bojāti.

10 Traucējumu novēršana

Jebkādu traucējumu gadījumā pievērsiet uzmanību akumulatora uzlādes līmeņa un traucējumu indikācijai. Skat. nodaļu **Litija jonu akumulatora indikācija**.



Ja iekārtas darbībā radušies traucējumi, kas nav uzskaitīti šajā tabulā vai ko jums neizdodas novērst saviem spēkiem, lūdzu, meklējiet palīdzību mūsu **Hilti** servisā.

Traucējums	Iespējamais iemesls	Risinājums
Akumulators nenofiksējas ar sadzirdamu klikšķi.	Nefīrs akumulatora fiksācijas izcilnis vai iekārtas pieslēgvietā.	▶ Notīriet fiksācijas izcilņus un ievietojiet akumulatorus vēlreiz.
Akumulators izlādējas ātrāk nekā parasti.	Akumulatora stāvoklis nav optimāls.	▶ Aktivējiet akumulatora statusa nolasišanu. → Lappuse 90
Iekārtu nevar iedarbināt.	Ir ievietots tikai viens uzlādēts akumulators.	▶ Ievietojiet otru uzlādētu akumulatoru.
Nav triecienu funkcijas.	Izstrādājums ir pārāk auksts.	▶ Novietojiet izstrādājumu uz virsmas un padarbiniet to tukšgaitā. Ja nepieciešams atkārtojiet šo procesu, līdz triecienu mehānisms iedarbojas.
Izstrādājums vai akumulators spēcīgi sakarst.	Elektriskas problēmas.	▶ Nekavējoties izslēdziet izstrādājumu. Izņemiet akumulatorus un vērojiet tos. Ļaujiet tiem atdzist. Vērsieties Hilti servisā.
Izstrādājums neiedarbojas vai darbības laikā izslēdzas.	Izstrādājums / akumulatori ir pārāk karsti vai akumulatori ir pārāk auksti.	▶ Izslēdziet iekārtu, ļaujiet iekārtai / akumulatoriem atdzist. ▶ Akumulatori ir pārāk auksti. Nodrošiniet akumulatoru sasilšanu līdz ieteicamajai darba temperatūrai.

11 Nokalpojušo iekārtu utilizācija

BRĪDINĀJUMS!

Traumu risks neatbilstīgas utilizācijas gadījumā! Veselības apdraudējums, izplūstot kaitīgām gāzēm un šķidrumiem.

- ▶ Bojātus akumulatorus nav atļauts nosūtīt!
- ▶ Lai nepieļautu īssavienojumus, nosedziet pieslēguma kontaktus ar materiālu, kam nepiemīt elektriskā vadītspēja.
- ▶ Utilizējiet akumulatorus tā, lai tiem nevarētu piekļūt bērni.
- ▶ Nododiet akumulatoru utilizācijai jūs apkalpojošajā **Hilti Store** vai vērsieties pie kompetentā atkritumu apsaimniekošanas uzņēmuma.

Hilti izstrādājumu izgatavošanā tiek izmantoti galvenokārt otrreiz pārstrādājami materiāli. Priekšnosacījums otrreizējai pārstrādei ir atbilstoša materiālu šķirošana. Daudzās valstīs **Hilti** pieņem nolietotās iekārtas otrreizējai pārstrādei. Lai saņemtu vairāk informācijas, vērsieties **Hilti** servisā vai pie sava pārdošanas konsultanta.



- ▶ Neizmetiet elektroiekārtas, elektroniskas ierīces un akumulatorus sadzīves atkritumos!

12 Ražotāja garantija

- ▶ Ar jautājumiem par garantijas nosacījumiem, lūdzu, vērsieties pie vietējā **Hilti** partnera.

13 Papildu informācija

Papildinformācija par lietošanu, tehniku, vides aizsardzību un materiālu otrreizējo pārstrādi ir pieejama, izmantojot šādu saiti: qr.hilti.com/manual/?id=2301751&id=2301753

Šī saite QR koda veidā ir iekļauta arī dokumentācijas beigās.



Originali naudojimo instrukcija

1 Dokumentų duomenys

1.1 Apie šią instrukciją

- Prieš pradėdami eksploatuoti, perskaitykite šią instrukciją. Tai yra saugaus darbo ir patikimo naudojimo sąlyga.
- Laikykitės šioje instrukcijoje ir ant prietaiso pateiktų saugos nurodymų ir įspėjimų.
- Šią naudojimo instrukciją visada laikykite kartu su prietaisu, prietaisą kitiems asmenims perduokite tik kartu su šia instrukcija.

1.2 Ženklų paaiškinimas

1.2.1 Įspėjamieji nurodymai

Įspėjamieji nurodymai įspėja apie pavojus, gresiančius eksploatuojant prietaisą. Naudojami šie signaliniai žodžiai:

PAVOJUS

PAVOJUS !

- ▶ Šis žodis vartojamas norint įspėti apie tiesiogiai gresiantį pavojų, kurio pasekmės yra sunkūs kūno sužalojimai arba žūtis.

ĮSPĖJIMAS

ĮSPĖJIMAS !

- ▶ Šis žodis vartojamas norint įspėti apie galimai gresiantį pavojų, kurio pasekmės gali būti sunkūs kūno sužalojimai arba žūtis.

ATSARGIAI

ATSARGIAI !

- ▶ Šis žodis vartojamas potencialiai pavojingai situacijai žymėti, kai yra kūno sužalojimo arba materialinių nuostolių grėsmė.

1.2.2 Naudojimo instrukcijoje naudojami simboliai

Šioje naudojimo instrukcijoje naudojami tokie simboliai:

	Laikykitės naudojimo instrukcijos
	Naudojimo nurodymai ir kita naudinga informacija
	Rodo, kad juo paženklintą medžiagą galima perdirbti
	Elektrinių prietaisų ir akumuliatorių nemesti į buitines atliekas
	Hilti Ličio jonų akumulatorius
	Hilti Kroviklis

1.2.3 Iliustracijose naudojami simboliai

Iliustracijose naudojami šie simboliai:

	Šis skaitmenys nurodo atitinkamą iliustraciją šios naudojimo instrukcijos pradžioje.
	Numeravimas nurodo darbinių veiksmų eiliškumą paveikslėlyje ir gali skirtis nuo tekste pateikto darbinių veiksmų numeravimo.
	Pozicijų numeriai naudojami paveikslėlyje Apžvalga – jie nurodo skyrelyje Prietaiso vaizdas esančių paaiškinimų numerius.
	Šiuo ženklu siekiama atkreipti ypatingą dėmesį į naudojamą šiuo prietaisu.



1.3 Specifiniai prietaiso simboliai

1.3.1 Simboliai ant prietaiso

Ant prietaiso gali būti naudojami šie simboliai:

	Draudžiama transportuoti kranu
	Prietaisas palaiko NFC technologiją, suderinamą su „iOS“ ir „Android“ platformomis.
Li-Ion	Ličio jonų akumuliatorius
	Niekada nenaudokite akumuliatoriaus kaip smūginio įrankio.
	Saugokite, kad akumuliatorius nenukristų. Nenaudokite akumuliatoriaus, kuris buvo sutrenktas arba kaip nors kitaip pažeistas.

1.4 Informacija apie prietaisą

gaminiai yra skirti profesionalams, todėl juos naudoti, techniškai prižiūrėti ir remontuoti leidžiama tik įgaliotam instruktui personalui. Šis personalas turi būti supažindintas su visais galimais pavojais. Neapmokyto personalo, netinkamai arba ne pagal paskirtį naudojamais prietaisais ir jo reikmenys gali kelti pavojų.

Tipas ir serijos numeris yra nurodyti firminėje duomenų lentelėje.

- ▶ Serijos numerį perkeltkite į toliau nurodytą lentelę. Kreipdamiesi su prietaisu susijusiais klausimais į mūsų atstovybę ar techninės priežiūros centrą, visada nurodykite šiuos prietaiso duomenis.

Prietaiso duomenys

Kirstuvas	TE 2000-22
Karta	01
Serijos Nr.	

1.5 Atitikties deklaracija

Gamintojas prisiimdamas visą atsakomybę pareiškia, kad čia aprašytas prietaisas atitinka galiojančių įstatymų ir standartų reikalavimus. Atitikties deklaracijos kopiją rasite šios instrukcijos gale.

Techninė dokumentacija saugoma čia:

Hilti Entwicklungsgesellschaft mbH | Zulassung Geräte | Hiltistraße 6 | 86916 Kaufering, DE

2 Sauga

2.1 Bendrieji saugos nurodymai dirbantiems su elektriniais įrankiais

⚠️ ĮSPĖJIMAS Perskaitykite visus ant šio elektrinio įrankio esančius saugos nurodymus, instrukcijas, paveikslėlius ir techninius duomenis. Šių nurodymų nesilaikymas gali tapti elektros smūgio, gaisro ir / arba sunkių sužalojimų priežastimi.

Išsaugokite visus saugos nurodymus ir instrukcijas, kad galėtumėte į juos pažvelgti ateityje.

Saugos nurodymuose vartojama sąvoka „elektrinis įrankis“ apibrėžiami iš elektros tinklo maitinami elektriniai įrankiai (turintys maitinimo kabelį) ir iš akumuliatoriaus maitinami elektriniai įrankiai (be maitinimo kabelio).

Sauga darbo vietoje

- ▶ **Pasirūpinkite, kad darbo vieta visada būtų švari ir gerai apšviesta.** Netvarkinga ar blogai apšviesta darbo vieta gali tapti nelaimingų atsitikimų priežastimi.
- ▶ **Nenaudokite elektrinio įrankio sprogyje aplinkoje, kurioje yra degių skysčių, dujų arba dulkių.** Veikiantys elektriniai įrankiai kibirkščiuoja, ir kibirkštys gali uždegti dulkes arba susikaupusius garus.
- ▶ **Dirbdami su elektriniu įrankiu, neleiskite darbo zonoje būti vaikams ir pašaliniais asmenims.** Atitraukę dėmesį nuo darbo, galite nebesuvaldyti prietaiso.

Apsauga nuo elektros

- ▶ **Prietaiso maitinimo kabelio kištukas turi atitikti elektros lizdo tipą.** Kištuko jokių būdu negalima keisti. Nenaudokite tarpinių kištukų kartu su elektriniais įrankiais, turinčiais apsauginį įžeminimą. Nepakeisti kištukai ir tinkami elektros lizdai mažina elektros smūgio riziką.



- ▶ Venkite kūno kontakto su įžemintais paviršiais, pvz., vamzdžiais, šildytuvais, viryklėmis ir šaldytuvais. Kai žmogaus kūnas yra įžemintas, padidėja elektros smūgio tikimybė.
- ▶ Elektrinius įrankius saugokite nuo lietaus ir drėgmės. Į elektrinį įrankį patekus vandens, padidėja elektros smūgio rizika.
- ▶ Nenaudokite elektros maitinimo kabelio ne pagal paskirtį, t. y. neneškite elektrinio įrankio paėmę už kabelio, nekabinkite jo ant kabelio, netraukite už kabelio, norėdami ištraukti kištuką iš elektros lizdo. Elektros maitinimo kabelį saugokite nuo karščio, alyvos, aštrių briaunų ar judančių dalių. Pažeisti arba susipynę elektros maitinimo kabeliai didina elektros smūgio riziką.
- ▶ Jei su elektriniu įrankiu dirbate lauke, naudokite tik tokius ilginimo kabelius, kurie tinka ir lauko darbams. Naudojant lauko darbams tinkančius ilginimo kabelius, mažėja elektros smūgio rizika.
- ▶ Jeigu elektrinio įrankio naudojimo drėgnoje aplinkoje negalima išvengti, į elektros tinklą jįjunkite per apsauginę nuotėkio relę. Apsauginė nuotėkio relė mažina elektros smūgio riziką.

Žmonių sauga

- ▶ Dirbdami su elektriniu įrankiu, būkite atidūs, sutelkite dėmesį į darbą ir vadovaukitės sveika nuovoka. Elektrinio įrankio nenaudokite, jeigu esate pavargę arba apsvaigę nuo narkotinių medžiagų, alkoholio ar vaistų. Neatidumo akimirka dirbant su elektriniu įrankiu gali tapti rimtu sužalojimų priežastimi.
- ▶ Naudokite asmenines apsaugos priemones ir visuomet užsidėkite apsauginius akinius. Naudojant asmenines apsaugos priemones, pvz., respiratorių, neslystančius apsauginius batus, apsauginį šalną, ausines ir kt., priklausomai nuo elektrinio įrankio tipo ir naudojimo, mažėja rizika susižaloti.
- ▶ Saugokitės, kad neįjungtumėte prietaiso atsitiktinai. Prieš prijungdami prie elektros maitinimo tinklo, įdėdami akumuliatorių, imdami į rankas ar nešdami, įsitikinkite, kad elektrinis įrankis yra išjungtas. Jeigu nešdami elektrinį įrankį pirštą laikysite ant jungiklio arba įrankį įjungsitė į elektros tinklą tuomet, kai jungiklis nėra išjungtas, gali įvykti nelaimingas atsitikimas.
- ▶ Prieš įjungdami elektrinį įrankį, pašalinkite iš jo reguliavimo įrankius ar veržlinius raktus. Besisukančioje prietaiso dalyje esantis įrankis ar paliktas raktas gali tapti sužalojimų priežastimi.
- ▶ Venkite nepatogių kūno padėčių. Dirbdami stovėkite tvirtai ir visada išlaikykite kūno pusiausvyrą. Taip galėsite geriau kontroliuoti elektrinį įrankį netikėtose situacijose.
- ▶ Vilkėkite tinkamą aprangą. Nevilkėkite plačių drabužių, nesidėkite papuošalų. Saugokite plaukus, drabužius ir pirštines nuo besisukančių prietaiso dalių. Laisvus drabužius, papuošalus ir ilgus plaukus gali įtraukti besisukančios prietaiso dalys.
- ▶ Jei yra numatyta galimybė prijungti dulkių nusiurbimo ar surinkimo įrenginius, visada įsitikinkite, kad jie yra prijungti ir tinkamai naudojami. Naudojant dulkių nusiurbimo įrenginį, gali sumažėti dulkių keliami grėsmė.
- ▶ Neturėkite iliuzijų, kad visada esate saugūs, ir, skaitydami naudojimo instrukcijas, nepraleiskite skyrelių apie saugų darbą su elektriniais įrankiais, net jeigu per ilgus naudojimo metus esate su savo elektriniu įrankiu susipažinę. Neatsargus veiksmas per sekundės dalį gali tapti sunkių sužalojimų priežastimi.

Elektrinio įrankio naudojimas ir elgesys su juo

- ▶ Prietaiso neperkraudkite. Naudokite Jūsų darbui tinkamą elektrinį įrankį. Su tinkamu elektriniu įrankiu dirbsite geriau ir saugiau, jei neviršysite nurodytos galios.
- ▶ Nenaudokite elektrinio įrankio su sugedusiu jungikliu. Elektrinis įrankis, kurio nebegalima įjungti ar išjungti, yra pavojingas ir jį reikia remontuoti.
- ▶ Prieš prietaisą nustatydami, keisdami reikmenis ar tiesiog padėdami į šalį, visuomet ištraukite maitinimo kabelio kištuką iš elektros lizdo ir / arba iš prietaiso išimkite akumuliatorių. Ši atsargumo priemonė leis išvengti netikėto elektrinio įrankio įsijungimo.
- ▶ Nenaudokite elektrinius įrankius saugokite vaikams nepasiekiamoje vietoje. Neleiskite prietaisu naudotis asmenims, kurie nėra su juo susipažinę arba nėra perskaitę šios instrukcijos. Elektriniai įrankiai yra pavojingi, kai juos naudoja patirties neturintys asmenys.
- ▶ Elektrinius įrankius ir reikmenis rūpestingai prižiūrėkite. Tikrinkite, ar judančios elektrinio įrankio dalys tinkamai funkcionuoja ir niekur nekliūva, ar nėra sulūžusių ir pažeistų dalių, kurios blogintų įrankio veikimą. Prieš naudojimą pažeistos prietaiso dalys turi būti suremontuotos. Blogai prižiūrimi elektriniai įrankiai yra daugelio nelaimingų atsitikimų priežastis.
- ▶ Pjovimo įrankiai visuomet turi būti aštrūs ir švarūs. Rūpestingai prižiūrėti pjovimo įrankiai su aštriomis pjovimo briaunomis mažiau stringa ir yra lengviau valdomi.
- ▶ Elektrinį įrankį, reikmenis, keičiamuosius įrankius ir t. t. naudokite pagal šias instrukcijas. Taip pat atsižvelkite į darbo sąlygas ir atliekamo darbo pobūdį. Elektrinius įrankius naudojant ne pagal paskirtį, gali kilti pavojingos situacijos.



- ▶ **Prižiūrėkite rankenas, kad jos ir jų laikymo paviršiai visada būtų sausi, švarūs ir neriebaluoti.** Slidžios rankenos ir jų laikymo paviršiai negali užtikrinti elektrinio įrankio saugaus naudojimo ir valdymo kontrolės nenumatytose situacijose.

Akumulatorinio įrankio naudojimas ir elgesys su juo

- ▶ **Akumuliatoriams įkrauti naudokite tik tuos kroviklius, kuriuos rekomenduoja gamintojas.** Kroviklij, tinkantį tik nurodytiems akumuliatorių tipams, naudojant kitiems akumuliatoriams įkrauti, kyla gaisro pavojus.
- ▶ **Elektriniuose įrankiuose naudokite tik konkrečiai jiems skirtus akumuliatorius.** Naudojant kitokius akumuliatorius, kyla pavojus susižaloti ir sukelti gaisrą.
- ▶ **Nenaudojamo akumulatoriaus nelaikykite šalia sąvaržėlių, monetų, raktų, vinių, varžtų ar kitokių smulkių metalinių daiktų, kurie galėtų trumpai sujungti akumulatoriaus kontaktus.** Trumpai sujungus akumulatoriaus kontaktus, yra pavojus nusideginti ar sukelti gaisrą.
- ▶ **Netinkamai naudojant akumuliatorių, iš jo gali ištekėti skystis. Venkite kontakto su šiuo skysčiu. Jei skysčio atsitiktinai pateko ant odos, nuplaukite ją vandeniu, jei pateko į akis - gerai praplaukite jas vandeniu ir nedelsdami kreipkitės į gydytoją.** Akumulatoriaus skystis gali sudirginti arba chemiškai nudeginti odą.
- ▶ **Nenaudokite pažeisto arba perdirbto akumulatoriaus.** Pažeisti arba perdirbti akumuliatoriai gali funkcionuoti nenumatyta, todėl gali kelti gaisro, sprogimo ar sužalojimų pavojų.
- ▶ **Akumuliatorių saugokite nuo ugnies ir per aukštos temperatūros.** Ugnies arba didesnės kaip 130 °C (265 °F) temperatūros veikiamas akumuliatorius gali sprogti.
- ▶ **Laikykites visų įkrovimo instrukcijų ir akumuliatorių arba akumulatorinį įrankį visada įkraukite tik eksploatavimo instrukcijoje nurodytame temperatūrų diapazone.** Netinkamas įkrovimas arba įkrovimas už leistino temperatūrų diapazono ribų gali sugadinti akumuliatorių ir padidinti gaisro pavojų.

Techninė priežiūra

- ▶ **Savo elektrinį įrankį patikėkite remontuoti tik kvalifikuotam specialistui, tam jis turi naudoti tik originalias atsargines dalis.** Taip galima užtikrinti, kad bus išlaikytas prietaiso naudojimo saugumas.
- ▶ **Niekada nevykdykite pažeistų akumuliatorių techninės priežiūros.** Bet kokią akumuliatorių techninę priežiūrą leidžiama vykdyti tik gamintojui arba įgaliotoms klientų aptarnavimo įmonėms.

2.2 Saugos nurodymai smūginiams įrankiams

Saugos nurodymai visiems darbams

- ▶ **Dirbdami užsidėkite ausines.** Triukšmas gali pakenkti klausai.
- ▶ **Naudokite prietaiso komplekte esančias papildomas rankenas.** Prietaisui tapus nebevaldomam, galite susižaloti.
- ▶ **Vykdydami darbus, kurių metu keičiamasis įrankis gali paliesti paslėptus elektros laidus, prietaisą laikykite paėmę už izoliuotų rankenų paviršių.** Dėl kontakto su laidais, kuriais teka elektros srovė, metalinėse prietaiso dalyse taip pat gali atsirasti įtampa, todėl kyla elektros smūgio pavojus.

2.3 Papildomi saugos nurodymai dirbantiems su kirstuvu

Žmonių sauga

- ▶ Prietaisą ir priedus naudokite tik tada, kai jie yra techniškai tvarkingi.
- ▶ Prietaisą ir priedus draudžiama keisti ar atlikti kitokius jų pakeitimus.
- ▶ Pagal galimybes naudokite transportinį vežimėlį ar kitą transportavimo priemonę. Jei nėra transportinio vežimėlio ar transportavimo priemonės, prietaisą visada turi nešti du asmenys. Atkreipkite dėmesį į tai, kad transportinis vežimėlis ir prietaisas yra labai sunkūs.
- ▶ Kirsdami kaitu lubas, sienas ir grindis visada tvirtai ir saugiai stovėkite. Netikėtai prakirtę galite prarasti pusiausvyrą!
- ▶ Vykdydami sienų ar grindų pragręžimo ar pramušimo klaurai darbus, apsaugokite kitoje pusėje esančią zoną. Gręžimo kernai ar medžiagos nuolaužos gali iškristi arba nukristi ir sužaloti kitus žmones.
- ▶ Naudotojas ir netoli esantys asmenys darbo su prietaisu metu turi dėvėti apsauginius akinius, apsauginį šalną, ausines ir lengvą respiratorių.



- ▶ Šlifuojant, pjaustant ir gręžiant kylančiose dulkėse gali būti pavojingų cheminių medžiagų. Štai keli pavyzdžiai: švinas ar dažai švino pagrindu, plytos, betonas ir kiti mūro statiniai, natūralus akmuo ir kiti gaminiai, kurių sudėtyje yra silikato, tam tikra mediena, ažuolas, bukas ir chemiškai apdorota mediena, asbestas arba medžiagos, kurių sudėtyje yra asbesto. Naudodamiesi medžiagų, su kuriomis dirbama, pavojingumo klase, nustatykite poveikį dirbančiajam ir aplink esantiems asmenims. Imkitės būtinų priemonių, užtikrinančių, kad poveikis liktų saugiam lygmenyje, pvz., naudokite dulkių surinkimo sistemą arba dėvėkite tinkamas kvėpavimo apsaugos priemones. Prie bendrųjų priemonių, skirtų poveikiui sumažinti, priskiriama:
 - ▶ darbas gerai vėdinamoje srityje,
 - ▶ ilgesnio kontakto su dulkelėmis vengimas,
 - ▶ dulkių nuvedimas nuo veido ir kūno,
 - ▶ apsauginių drabužių dėvėjimas ir užterštų vietų nuplovimas vandeniu ir muilu.
- ▶ Keisdami įrankį, mūvėkite apsaugines pirštines. Liesdami keičiamąjį įrankį, galite susipjaustyti ir nusidėginti rankas.
- ▶ Sužalojimo pavojus dėl žemyn krentančių įrankių ir / arba priedų. Prieš pradėdami dirbti, patikrinkite, ar akumulatorius ir sumontuoti priedai yra patikimai pritvirtinti.
- ▶ Užtikrinkite, kad vėdinimo plyšiai visada būtų atviri. Nudėgimo pavojus dėl uždengtų vėdinimo plyšių!
- ▶ Dirbdami užsidėkite akių apsaugos priemonę. Medžiagų nuolaužos gali sužaloti odą ir akis.
- ▶ Dažnai darykite pertraukas ir pratimus, užtikrinančius geresnę Jūsų pirštų kraujotaką. Dirbant ilgesnį laiką, vibracijos gali sukelti pirštų, plaštakos ar riešo sąnario kraujagyslių ar nervų sistemos pažeidimus.
- ▶ Užtikrinkite, kad prietaisas visada stabiliai stovėtų. Prietaisą visada pastatykite ant lygaus, stabilaus, nuo vibracijos ir sukretimų apsaugoto pagrindo.

Apsauga nuo elektros

- ▶ Prieš pradėdami dirbti patikrinkite, ar darbo zonoje nėra paslėptų elektros laidų, dujų ar vandentiekio vamzdžių. Netyčia pažeidus elektros kabelį, dujų ar vandens vamzdį, išorinėse metalinėse prietaiso dalyse taip pat gali atsirasti įtampa, kelianti elektros smūgio pavojų, arba gali kilti sprogo pavojus.

Atsargus elektrinių įrankių naudojimas ir elgesys su jais

- ▶ Prieš elektrinį įrankį padėdami, palaukite, kol jis visiškai sustos.
- ▶ Prietaisą įjunkite tik darbinėje padėtyje.

2.4 Su akumulatoriais elgtis atsargiai

- ▶ **Laikykitės žemiau pateiktų saugaus naudojimo ir darbo su ličio jonų akumulatoriais saugos nuorodų.** Nesilaikant šių nurodymų, galimas odos sudirginimas, sunkūs sužalojimai dėl esdinančio poveikio, cheminiai nudegimai, gaisro ir / arba sprogo pavojus.
- ▶ Akumulatorius naudokite tik nepriekaištingos techninės būklės.
- ▶ Kad išvengtumėte akumulatoriaus pažeidimų ir sveikatai labai kenksmingų skysčių ištekėjimo, su akumulatoriumi elkitės labai atsargiai!
- ▶ Akumulatorius draudžiama modifikuoti ar kaip nors kitaip jais manipuluoti!
- ▶ Akumulatorius draudžiama ardyti, spausiti, kaitinti iki aukštesnės kaip 80 °C (176 °F) temperatūros arba deginti.
- ▶ Nenaudokite ir neįkraukite akumuliatorių, kurie buvo sutrenkti arba kaip nors kitaip pažeisti. Reguliariai tikrinkite, ar nėra Jūsų akumulatoriaus pažeidimo požymių.
- ▶ Niekada nenaudokite utilizuotų arba remontuotų akumuliatorių.
- ▶ Akumulatoriaus arba akumuliatorinio elektrinio įrankio niekada nenaudokite vietoje plaktuko.
- ▶ Saugokite akumuliatorius nuo tiesioginių saulės spindulių, aukštesnės temperatūros, kibirkščių ir atviros ugnies. Tai gali sukelti sprogo pavojų.
- ▶ Baterijos polių nelieskite pirštais, įrankiais, papuošalais ar kitokiais elektrai laidžiais daiktais. Tai gali pažeisti akumuliatorių, taip pat padaryti materialinių nuostolių ir sužaloti.
- ▶ Saugokite akumuliatorius nuo lietaus, drėgmės bei skysčių. Įsiskverbusi drėgmė gali sukelti trumpąjį jungimą, elektros smūgį, nudegimą, gaisrą ir sprogo pavojų.
- ▶ Naudokite tik šio tipo akumuliatoriams skirtus kroviklius ir elektrinius įrankius. Laikykitės atitinkamoje naudojimo instrukcijoje pateiktų duomenų.
- ▶ Nenaudokite ir nelaikykite akumulatoriaus sprogoje aplinkoje.



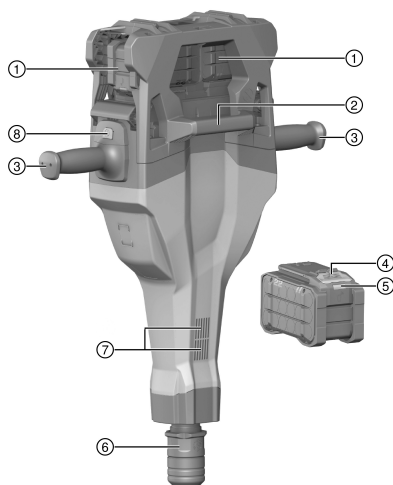
- ▶ Jeigu į rankas paimtas akumuliatorius atrodo karštas, jis gali būti sugedęs. Padėkite akumuliatorių natomoje, nedegioje vietos pakankamu atstumu nuo degių medžiagų. Leiskite akumuliatoriui atvėsti. Jei akumuliatorius po valandos vis dar yra per karštas paimti į rankas, jis yra sugedęs. Kreipkitės į **Hilti** techninės priežiūros centrą, arba perskaitykite šį dokumentą „**Hilti** ličio jonų akumuliatorių saugos ir naudojimo nurodymai“.

Laikykitės specialiųjų direktyvų, galiojančių ličio jonų akumuliatorių transportavimui, sandėliavimui ir naudojimui. → psl. 106

Perskaitykite **Hilti** ličio jonų akumuliatorių saugos ir naudojimo nurodymus, kuriuos rasite nuske-
navę QR kodą, esantį šios naudojimo instrukcijos gale.

3 Aprašymas

3.1 Prietaiso vaizdas



- ① Akumuliatoriai
- ② Nešimo rankena
- ③ Rankenos
- ④ Akumuliatoriaus atblokovimo mygtukas
- ⑤ Akumuliatoriaus būsenos rodmuo
- ⑥ Įrankio griebtuvas
- ⑦ Vėdinimo plyšiai
- ⑧ Jungiklis

3.2 Transportavimo vežimėlio ir lagamino B22/C (XL) (parinktis) apžvalga

- ① Rankena
- ② Krovinio fiksatorius
- ③ Fiksavimo apkaba
- ④ Akumuliatoriaus lagamino B22/C (XL) užraktas
- ⑤ Laikiklis eksploatacinėms medžiagoms (kaltams)
- ⑥ Ratai
- ⑦ Rato tvirtinimas (poverzlė, vielokaištis)
- ⑧ Mašinos fiksavimo strypas
- ⑨ Nešimo rankena
- ⑩ Akumuliatorius
- ⑪ Kroviklis
- ⑫ Lagaminas B22/C (XL)

3.3 Naudojimas pagal paskirtį

Aprašytasis prietaisas yra rankinis akumuliatorinis kirstuvas. Jis yra skirtas betonui, mūriui ir asfaltui kirsti. Jį galima naudoti ir plūkimui bei duobių kasimui.

Prietaisą galima naudoti tik grindų kryptimi.

- Su šiuo prietaisu naudokite tik B 22 serijos **Hilti** Nuron ličio jonų akumuliatorius. Optimaliam našumui **Hilti** rekomenduoja šiam prietaisui šios naudojimo instrukcijos gale esančioje lentelėje nurodytus akumuliatorius.
- Šiems akumuliatoriams įkrauti naudokite tik šios naudojimo instrukcijos gale esančioje lentelėje nurodytų serijų **Hilti** kroviklius.



3.4 Netinkamas naudojimas

- Prietaisą draudžiama naudoti darbui drėgnoje aplinkoje.
- Nenaudokite prietaiso tokiose vietose, kur yra gaisro ir sprogdimo pavojus.
- Draudžiama apdoroti sveikatai pavojingas medžiagas (pvz., asbestą).
- Netransportuokite prietaiso kranu.
- Nedirbkite stovėdami ant kopėčių.
- Prietaiso negalima naudoti horizontalia darbine kryptimi į sieną.
- Nenaudokite prietaisą laikančių lynų.

3.5 Active Vibration Reduction

Prietaise yra įrengta Active Vibration Reduction (AVR) sistema, kuri stipriai mažina vibraciją.

3.6 Tiekiamas komplektas

Akumulatorinis kirstuvas, naudojimo instrukcija, tepalas

Transportinis vežimėlis, lagaminas akumulatoriams ir krovikliui yra siūlomi kaip priedai.

Daugiau Jūsų turimam prietaisui skirtų sisteminių reikmenų rasite vietinėje **Hilti Store** arba tinklalapyje www.hilti.group

3.7 Ličio jonų akumulatoriaus rodmenys

Hilti Nuron ličio jonų akumulatoriai gali parodyti įkrovos būklę, pranešimus apie klaidą ir akumulatoriaus būklę.

3.7.1 Įkrovos būklės ir pranešimų apie klaidas rodmenys

ĮSPĖJIMAS

Sužalojimo pavojus krentančiu akumulatoriumi!

- ▶ Kai akumulatorius įstatytas, spausdami atblokavimo mygtuką įsitikinkite, kad vėl tinkamai užfiksavote akumulatorių naudojamame prietaise.

Kad gautumėte vieną iš šių rodmenų, spustelėkite akumulatoriaus atblokavimo mygtuką.

Įkrovos būklė bei galimos triktys rodomos nuolat, kol prijungtas prietaisas yra įjungtas.

Būsena	Reikšmė
Keturi (4) šviesos diodai nuolat šviečia žaliai	Įkrovos lygis: nuo 100 iki 71 %
Trys (3) šviesos diodai nuolat šviečia žaliai	Įkrovos lygis: nuo 70 iki 51 %
Du (2) šviesos diodai nuolat šviečia žaliai	Įkrovos lygis: nuo 50 iki 26 %
Vienas (1) šviesos diodas nuolat šviečia žaliai	Įkrovos lygis: nuo 25 iki 10 %
Vienas (1) šviesos diodas lėtai mirksi žaliai	Įkrovos lygis: < 10 %
Vienas (1) šviesos diodas greitai mirksi žaliai	Ličio jonų akumulatorius yra visiškai išsikrovęs. Akumulatorių įkraukite. Jei šviesos diodai po akumulatoriaus įkrovimo vis dar greitai mirksi, kreipkitės į Hilti techninės priežiūros centrą.
Vienas (1) šviesos diodas greitai mirksi geltonai	Ličio jonų akumulatorius arba su juo sujungtas prietaisas yra veikiamas per didelės apkrovos, yra per karštas, per šaltas arba įvykęs kitoks gedimas. Prietaisą ir akumulatorių nustatykite į rekomenduojamą darbinę temperatūrą ir naudodami neperkraukite prietaiso. Jei pranešimas rodomas ir toliau, prašome kreiptis į Hilti techninės priežiūros centrą.
Vienas (1) šviesos diodas šviečia geltonai	Ličio jonų akumulatorius ir su juo susijęs prietaisas yra nesuderinami. Kreipkitės į Hilti techninės priežiūros centrą.



Būsena	Reikšmė
Vienas (1) LED šviesos diodas greitai mirksi raudonai	Ličio jonų akumuliatorius užblokuotas, jo nebegalima naudoti. Kreipkitės į Hilti techninės priežiūros centrą.

3.7.2 Akumuliatoriaus būsenos rodmenys

Norėdami užklausti apie akumuliatoriaus būklę, ilgiau nei tris sekundes spauskite atblokavimo mygtuką. Sistema neatpažįsta galimo netinkamo baterijos veikimo, kuris yra neleistino baterijos naudojimo pasekmė, pvz., jei nukritus, ją pažeidus arba esant išorinių pažeidimų dėl karščio.

Būsena	Reikšmė
Visi šviesos diodai šviečia kaip signalinės lemputės, ir po to (1) vienas šviesos diodas nuolat šviečia žalia spalva.	Akumuliatorių galima naudoti toliau.
Visi šviesos diodai šviečia kaip signalinės lemputės, ir po to (1) vienas šviesos diodas greitai mirksi geltona spalva.	Užklausa dėl akumuliatoriaus būklės negalėjo būti baigta. Procedūrą pakartokite arba kreipkitės į Hilti techninės priežiūros centrą.
Visi šviesos diodai šviečia kaip signalinės lemputės, ir po to (1) vienas šviesos diodas nuolat šviečia raudona spalva.	Jei prijungtą prietaisą galima naudoti toliau, likusi akumuliatoriaus talpa yra mažesnė kaip 50%. Jei prijungto prietaiso toliau naudoti nebegalima, vadinasi akumuliatoriaus eksploatavimo laikas baigėsi ir jį reikia pakeisti. Kreipkitės į Hilti techninės priežiūros centrą.

4 Akumuliatorinis atskėlimo plaktukas

	TE 2000-22
Svoris pagal EPTA Procedure 01 be akumuliatoriaus	17,4 kg
Smūgio energija (EPTA-Procedur 05)	38,2 J
Darbinė aplinkos temperatūra	-17 °C ... 60 °C
Laikymo temperatūra	-20 °C ... 70 °C

4.1 Akumuliatorius

Akumuliatoriaus darbinė įtampa	21,6 V
Akumuliatoriaus svoris	Žr. šios naudojimo instrukcijos gale.
Darbinė aplinkos temperatūra	-17 °C ... 60 °C
Laikymo temperatūra	-20 °C ... 40 °C
Akumuliatoriaus temperatūra, kai pradedama įkrauti	-10 °C ... 45 °C

4.2 Informacija apie triukšmą ir vibracijos reikšmės pagal EN 62841

Šiuose nurodymuose pateiktos garso slėgio ir vibracijos reikšmės yra išmatuotos taikant standartizuotą matavimo metodą ir gali būti naudojami elektriniams įrankiams palyginti tarpusavyje. Jos taip pat tinka šių veiksmų poveikiui iš anksto įvertinti.

Nurodytieji duomenys yra susieti su pagrindinėmis šio elektrinio įrankio naudojimo sritimis. Jeigu elektrinis įrankis bus naudojamas kitaip, su skirtingais keičiamaisiais įrankiais arba bus nepakankamai techniškai prižiūrimas, šie duomenys gali skirtis nuo nurodytųjų. Tai gali gerokai padidinti šių veiksmų poveikį per visą darbo laikotarpį.

Norint tiksliai įvertinti poveikį, reikėtų įvertinti ir laiką, kai prietaisas yra išjungtas, arba, nors ir įjungtas, juo faktiškai nedirbama. Toks įvertinimas gali smarkiai sumažinti poveikio per visą darbo laikotarpį reikšmę.

Imkitės papildomų saugos priemonių, kad darbuotojas būtų apsaugotas nuo triukšmo ir / arba vibracijos poveikio, pavyzdžiui, reikalaukite tinkamos elektrinio įrankio ir keičiamųjų įrankių techninės priežiūros, pasirūpinkite, kad darbuotojų rankos visada būtų šiltos, užtikrinkite tinkamą darbo organizavimą.



Informacija apie triukšmą

Išmatuotas garso stiprumo lygis (L_{WA})	98 dB(A)
Garso galios lygio paklaida (K_{WA})	3 dB(A)
Skleidžiamo garso slėgio lygis (L_{pA})	87 dB(A)
Garso slėgio lygio paklaida (K_{pA})	3 dB(A)

Suminės vibracijų reikšmės

Kirtimas kalnu ($a_{h, Cheq}$)	B 22-170	3,8 m/s ²
	B 22-255	3,8 m/s ²
Paklaida (K)		1,5 m/s ²

5 Pasiruošimas darbui

ĮSPĖJIMAS

Sužalojimo pavojus dėl atsitiktinio paleidimo!

- ▶ Prieš įstatydami akumulatorius, įsitinkinkite, kad prietaisas, į kurį įstatote, yra išjungtas.
- ▶ Prieš nustatydami prietaisą ar keisdami reikmenis, išimkite akumulatorius.

Laikykites šioje instrukcijoje ir ant prietaiso pateiktų saugos nurodymų ir įspėjimų.

5.1 Akumuliatorių įkrovimas

1. Prieš pradėdami krauti, perskaitykite kroviklio naudojimo instrukciją.
2. Atkreipkite dėmesį, kad akumuliatoriaus ir kroviklio kontaktai turi būti švarūs ir sausi.
3. Akumuliatorių įkraukite leistinu krovikliu. → psl. 101

5.2 Akumuliatorių įdėjimas

ĮSPĖJIMAS

Sužalojimo pavojus dėl trumpojo jungimo arba krintančio akumuliatoriaus!

- ▶ Prieš įdėdami akumulatorius įsitinkinkite, kad jų ir prietaiso kontaktuose nėra pašalinių daiktų.
- ▶ Visada įsitinkinkite, kad akumuliatoriai tinkamai užfiksuoti.

1. Prieš pirmąjį naudojimą akumulatorius įkraukite pilnai.
2. Akumulatorius stumkite į prietaisą, kol išgirsite, kad užsifiksavo.
3. Patikrinkite, ar akumuliatoriai tvirtai laikosi.

5.3 Akumuliatoriaus išėmimas

1. Spauskite akumuliatoriaus atblokavimo mygtuką.
2. Iš gaminio išimkite akumulatorių.

6 Naudojimas

Laikykites šioje instrukcijoje ir ant prietaiso pateiktų saugos nurodymų ir įspėjimų.

6.1 Keičiamojo įrankio įdėjimas

1. Keičiamojo įrankio kotą šiek tiek patepkite tirštuuju tepalu.



Naudojant netinkamą tirštąjį tepalą, yra pavojus prietaisą pažeisti. **Naudokite tik originalų Hilti tirštąjį tepalą.**

2. Keičiamąjį įrankį įstatykite į įrankio griebtuvą ir, lengvai spausdami, sukite, kol girdimai užsifiksuos.
3. Patraukę įrankį patikrinkite, ar jis gerai užsifiksavo.



6.2 Keičiamąjį įrankio išėmimas 4

ATSARGIAI

Sužalojimo pavojus! Keičiamasis įrankis gali būti karštas ir / arba turėti aštrias briaunas.

- ▶ Keisdami keičiamąjį įrankį, mūvėkite apsaugines pirštines.
- ▶ Karšto keičiamąjį įrankio niekada nedėkite ant degių paviršių.

1. Įrankio fiksatorių traukite atgal, kol atsirems.
2. Išimkite keičiamąjį įrankį.

6.3 Naudojimas

Laikykites šioje instrukcijoje ir ant prietaiso pateiktų saugos nurodymų ir įspėjimų. Iš statybos vadovybės gaukite leidimą visiems darbams vykdyti!

6.3.1 Kirtimas kalnu

1. Kalną pastatykite į norimą padėtį.
2. Spauskite jungiklį.



Darbas esant žemai temperatūrai:

Prieš įsijungiant smūginiam mechanizmui, prietaisas turi pasiekti minimalią darbinę temperatūrą. Kad ją pasiektumėte, padėkite prietaisą ant apdirbamojo paviršiaus ar grindų ir leiskite trumpai veikti tuščiaja eiga. Jei reikia, pakartokite šį procesą, kol smūginis mechanizmas pradės veikti.

6.3.2 Išjungimas

- ▶ Spauskite jungiklį.

6.3.3 Darbiniai nurodymai 5



Kalną galima fiksuoti 6-ose padėtyse (60° žingsniu). Todėl plokščiuoju ir profiliu kalnu visada galima dirbti pasirinkus atitinkamą optimalią darbinę padėtį.

- ▶ Kalną pridėkite maždaug 80–100 mm (3¼ – 4") atstumu nuo briaunos.
- ▶ Apdorodami gelžbetonį, kalną visada statykite prie medžiagos briaunos, o ne prie armatūrinio plieno.
- ▶ Kirtimo procesą pradėkite nukreipę kalną 90° kampu betoninio paviršiaus atžvilgiu, o jo smaigalį nukreipkite briaunos link. Tada kalto kampą didinkite nuo 70° iki 80° link ir taip atskelkite medžiagą.
- ▶ Kalną reguliariai apsuokite, nes tolygus jo dėvėjimasis skatina savaiminį pasigalandimą.
- ▶ Kai spaudimo jėga per maža, kalnas šokinėja. Kai spaudimo jėga per didelė, mažėja kirtimo galia.

7 Transportavimo vežimėlis ir lagaminas B22/C (XL)

7.1 Transportavimas

Transportinis vežimėlis užtikrina saugų kirstuvo transportavimą.

Lagaminas B22/C (XL) užtikrina nepavojingą įkroviklio ir akumulatoriaus transportavimą.

- Pasirūpinkite, kad transportinis vežimėlis stovėtų stabiliai.
- Prietaisą pastatykite ant tam skirto mašinos fiksavimo strypo ir transportavimo metu visada užfiksuokite fiksavimo apkaba.
- Lagaminą B22/C (XL) padėkite ant transportavimo vežimėlio ir užfiksuokite jį fiksatoriais.
- Transportavimui pasirinkite saugų kelią.
- Transportinio vežimėlio nestatykite ant nuožulnaus paviršiaus.
- Transportavimo vežimėlio ir lagamino B22/C (XL) netransportuokite kranu.
- Kalnus įstatykite į tam tikslui numatytą laikiklį, kol užsifiksuos.
- Transportavimui pasirinkite saugų kelią.
- Transportinio vežimėlio nestatykite ant nuožulnaus paviršiaus.
- Transportavimo vežimėlio ir lagamino B22/C (XL) netransportuokite kranu.



8 Priežiūra ir einamasis remontas

ĮSPĖJIMAS

Sužalojimo pavojus, esant įstatytiems akumulatoriams !

- ▶ Prieš pradėdami bet kokius techninės priežiūros ir einamojo remonto darbus visada iš prietaiso išimkite akumulatorius!

Prietaiso priežiūra

- Atsargiai nuvalyti prilipusius nešvarumus.
- Jei yra vėdinimo plyšiai, juos atsargiai valykite sausu šepėčiu.
- Korpusą valyti tik šiek tiek sudrėkinta šluoste. Nenaudoti silikono turinčių priežiūros priemonių, nes jos gali pakenkti plastikinėms detalėms.

Ličio jonų akumuliatorių priežiūra

- Niekada nenaudokite baterijos, jei jos vėdinimo plyšiai yra užsikimšę. Vėdinimo plyšius atsargiai išvalykite sausu, minkštu šepėčiu.
- Saugokite akumuliatorių nuo bereikalingo dulkių ir nešvarumų poveikio. Saugokite akumuliatorių nuo didelės drėgmės (pvz., nepanardinkite į vandenį ir nepalikite stovėti lietuje).
Jei akumuliatorius peršlapo, elkitės su juo kaip su pažeistu akumuliatoriumi. Izoliuokite jį nedegiamame konteineryje ir kreipkitės į **Hilti** techninės priežiūros centrą.
- Saugokite akumuliatorių nuo alyvos ir tepalo. Saugokite, kad ant akumulatoriaus nenusėtų dulkių ir nešvarumų. Akumuliatorių valykite sausu, minkštu šepėčiu arba švaria, sausa šluoste.
Nenaudokite priemonių, kurių sudėtyje yra silikono, nes jos gali pakenkti plastikinėms detalėms.
- Korpusą valyti tik šiek tiek sudrėkinta šluoste. Nenaudoti silikono turinčių priežiūros priemonių, nes jos gali pakenkti plastikinėms detalėms.

Einamasis remontas

- Reguliariai tikrinti, ar matomos dalys nėra pažeistos ir ar valdymo elementai veikia nepriekaištingai.
- Nenaudoti pažeisto ir / arba turinčio veikimo sutrikimų prietaiso. Nedelsiant kreiptis į **Hilti** techninės priežiūros centrą dėl remonto.
- Baigus techninės priežiūros ir einamojo remonto darbus, sumontuoti visus apsauginius įtaisus ir patikrinti jų veikimą.



Kad eksploatacija būtų patikima, naudokite tik originalias atsargines dalis ir eksploatacines medžiagas. Mūsų aprobuotas atsargines dalis, eksploatacines medžiagas ir reikmenis savo prietaisui rasite vietinėje **Hilti Store** arba tinklalapyje www.hilti.group.

9 Akumuliatorių įrankių ir akumuliatorių transportavimas ir sandėliavimas

Transportavimas

ATSARGIAI

Atsitiktinis įjungimas transportuojant !

- ▶ Savo prietaisus visada transportuokite tik išėmę akumulatorius!
- ▶ Išimkite akumuliatorių/akumulatorius.
- ▶ Akumuliatorių niekada netransportuokite sumetę į krūvą su kitais daiktais. Transportuojamus akumuliatorius būtina saugoti nuo stiprių smūgių ir vibracijos, taip pat izoliuoti nuo bet kokių elektrai laidžių medžiagų ir kitų akumuliatorių, kad jie nesiliestų su kitų akumuliatorių poliais ir nesukeltų trumpojo jungimo. **Laikykitės eksploataavimo vietoje galiojančių akumuliatorių transportavimo direktyvų.**
- ▶ Akumuliatorius draudžiama siųsti paštu. Jei norite siųsti nepažeistus akumuliatorius, kreipkitės į pervežimų įmonę.
- ▶ Prieš kiekvieną naudojimą ir po ilgesnio transportavimo patikrinkite, ar prietaisais ir akumulatoriais nepažeisti.

Sandėliavimas

ĮSPĖJIMAS

Atsitiktinis pažeidimas dėl sugedusių ar išsiliejusių akumuliatorių !

- ▶ Savo prietaisus visada laikykite tik išėmę akumulatorius!
- ▶ Prietaisais ir akumuliatorių laikykite vėsioje ir sausoje vietoje. Atkreipkite dėmesį į ribines temperatūros vertes, nurodytas skyriuje "Techniniai duomenys".



- ▶ Akumulatoriaus nelaikykite ant kroviklio. Akumuliatorių visada nuimkite nuo kroviklio po įkrovimo proceso.
- ▶ Nelaikykite akumulatoriaus saulėje, ant šilumos šaltinių ar už lango stiklo.
- ▶ Prietaisą ir akumulatorius laikykite vaikams bei neįgaliesiems asmenims neprieinamoje vietoje.
- ▶ Prieš kiekvieną naudojimą ir po ilgesnio sandėliavimo patikrinkite, ar prietaisas ir akumulatoriai nepažeisti.

10 Pagalba sutrikus veikimui

Visų sutrikimų atvejais atkreipkite dėmesį į akumulatoriaus įkrovos lygio ir sutrikimų rodmenį. Žr. skyrų **Ličio jonų akumulatoriaus rodmenys**.

Pasitaikius sutrikimų, kurie nėra aprašyti šioje lentelėje arba kurių negalite pašalinti patys, kreipkitės į **Hilti** techninės priežiūros centrą.

Sutrikimas	Galima priežastis	Sprendimas
Akumulatorius neužsifiksuoja girdimu spragtelėjimu.	Užterštas akumulatoriaus fiksatorius arba prietaiso sąsaja.	▶ Fiksatorius išvalykite ir įdėkite akumuliatorių iš naujo.
Akumulatorius išsikrauna greičiau nei paprastai.	Akumulatoriaus būklė nėra optimali.	▶ Užklauskite akumulatoriaus būklės. → psl. 102
Prietaisas neįsijungia.	Yra įstatytas tik vienas įkrautas akumulatorius.	▶ Įstatykite antrą įkrautą akumuliatorių.
Prietaisas nesmūgiuoja.	Prietaisas per šaltas.	▶ Prietaisą padėkite ant grindų ir leiskite jam veikti tuščiąja eiga. Jeigu reikia, pakartokite, kol smūginis mechanizmas pradės veikti.
Didelio karščio susidarymas prietaise arba akumuliatoriuje	Elektrinis gedimas.	▶ Prietaisą nedelsdami išjunkite. Išimkite akumulatorius ir stebėkite juos. Palaukite, kol jie atvės. Susisiekite su Hilti techninės priežiūros centru.
Prietaisas darbo metu išsijungia arba neįsijungia	Prietaisas / akumulatoriai yra per karšti arba akumulatoriai yra per šalti.	▶ Išjunkti ir palaukti, kol atvės prietaisas / akumulatoriai. ▶ Akumulatoriai per šalti. Akumulatorius pašildykite iki rekomenduojamos darbinės temperatūros.

11 Utilizavimas

ĮSPĖJIMAS

Sužalojimo pavojus dėl netinkamo utilizavimo! Išeinančios dujos ir ištekantis skystis kelia pavojų sveikatai.

- ▶ Pažeistų akumuliatorių nesiųskite paštu ir nepervežkite!
- ▶ Kad būtų išvengta trumpojo jungimo, jungtis uždenkite elektrai nelaidžia medžiaga.
- ▶ Akumulatorius utilizuokite taip, kad jie negalėtų patekti į vaikų rankas.
- ▶ Akumuliatorių pristatykite utilizuoti į savo **Hilti Store** arba kreipkitės į vietinę kompetentingą utilizavimo įmonę.

Didelė **Hilti** prietaisų dalis yra pagaminta iš medžiagų, kurias galima perdirbti. Būtina antrinio perdirbimo sąlyga yra tinkamas medžiagų išrūšiuojimas. Daugelyje šalių **Hilti** priims Jūsų nebenaudojamą prietaisą perdirbti. Apie tai galite pasiteirauti artimiausiame **Hilti** techninės priežiūros centre arba savo prekybos konsultanto.



- ▶ Elektrinių įrankių, elektroninių prietaisų ir akumuliatorių neišmeskite į buitinius šiukšlynus!

12 Gamintojo teikiama garantija

- ▶ Kilus klausimų dėl garantijos sąlygų, kreipkitės į vietinį **Hilti** partnerį.



Daugiau informacijos apie valdymą, techniką, aplinką ir perdirbimą rasite šiuo adresu: qr.hilti.com/manual/?id=2301751&id=2301753

Šią nuorodą taip pat rasite dokumentacijos gale kaip QR kodą.

Перевод оригинального руководства по эксплуатации

1 Указания к документации

1.1 Об этом документе



Импортер и уполномоченная изготовителем организация

- (RU) Российская Федерация
АО "Хилти Дистрибьюшн ЛТД", 141402, Московская область, г. Химки, ул. Ленинградская, стр. 25
- (BY) Республика Беларусь
222750, Минская область, Дзержинский район, Р-1, 18-й км, 2 (около д. Слободка), помещение 1-34
- (KZ) Республика Казахстан
Республика Казахстан, индекс 050057, г. Алматы, ул. Тимирязева 42, павильон 15-9
Қазақстан Республикасы, 050057, Алматы қ., Тимирязев көшесі, 15-9 павильоны
- (AM) Республика Армения
ООО Эйч-Кон, Республика Армения, г. Ереван, ул. Бабаяна 10/1

Страна производства: см. маркировочную табличку на оборудовании.

Дата производства: см. маркировочную табличку на оборудовании.

Соответствующий сертификат можно найти по адресу: www.hilti.ru

Специальных требований к условиям хранения, транспортировки и использования, кроме указанных в руководстве по эксплуатации, нет.

Срок службы изделия составляет 5 лет.

- Ознакомьтесь с этим документом перед началом работы. Это является залогом безопасной работы и бесперебойной эксплуатации.
- Соблюдайте указания по технике безопасности и предупреждающие указания, приводимые в данном документе и на изделии.
- Храните руководство по эксплуатации всегда рядом с электроинструментом и передавайте электроинструмент будущим владельцам только вместе с этим руководством.

1.2 Пояснение к знакам

1.2.1 Предупреждающие указания

Предупреждающие указания служат для предупреждения об опасностях при обращении с изделием. Используются следующие сигнальные слова:

ОПАСНО

ОПАСНО !

- ▶ Общее обозначение непосредственной опасной ситуации, которая влечет за собой тяжелые травмы или смертельный исход.

ПРЕДУПРЕЖДЕНИЕ

ПРЕДУПРЕЖДЕНИЕ !

- ▶ Общее обозначение потенциально опасной ситуации, которая может повлечь за собой тяжелые травмы или смертельный исход.



ОСТОРОЖНО

ОСТОРОЖНО !

- Общее обозначение потенциально опасной ситуации, которая может повлечь за собой травмы или повреждение оборудования (материальный ущерб).

1.2.2 Символы, используемые в руководстве

В этом руководстве используются следующие символы:

	Соблюдать руководство по эксплуатации
	Указания по эксплуатации и другая полезная информация
	Обращение с материалами, пригодными для вторичной переработки
	Не выбрасывайте электроинструменты и аккумуляторы вместе с обычным мусором!
	Hilti Литий-ионный аккумулятор (Li-Ion)
	Зарядное устройство Hilti

1.2.3 Символы на изображениях

На изображениях используются следующие символы:

	Эти цифры указывают на соответствующее изображение в начале данного руководства.
	Нумерация на изображениях отображает порядок выполнения рабочих операций и может отличаться от нумерации, используемой в тексте.
	Номера позиций используются в обзорном изображении. В обзоре изделия они указывают на номера в экспликации.
	Этот знак должен привлечь особое внимание пользователя при обращении с изделием.

1.3 Символы в зависимости от изделия

1.3.1 Символы на изделии

На изделии могут использоваться следующие символы:

	Транспортировка краном запрещена
	Изделие поддерживает технологию NFC, совместимую с платформами iOS и Android.
Li-Ion	Литий-ионный аккумулятор
	Никогда не используйте аккумулятор в качестве ударного инструмента.
	Не допускайте падения аккумулятора. Не используйте аккумулятор, который получил повреждения вследствие удара или каким-либо иным образом.

1.4 Информация об изделии

Изделия предназначены для профессионального использования, поэтому они должны обслуживаться и ремонтироваться только уполномоченным и обученным персоналом. Этот персонал должен пройти специальный инструктаж по технике безопасности. Использование изделия и его оснастки не по назначению или его эксплуатация необученным персоналом могут представлять опасность.

Типовое обозначение и серийный номер указаны на заводской табличке.



- ▶ Перепишите серийный номер в нижеприведенную табличную форму. Данные изделия необходимы при обращении в наше представительство или сервисный центр.

Указания к изделию

Отбойный молоток	TE 2000-22
Поколение	01
Серийный №	

1.5 Декларация соответствия нормам

Настоящим фирма-изготовитель с полной ответственностью заявляет, что данное изделие соответствует действующим директивам и нормам. Копию декларации соответствия нормам см. в конце этого документа.

Техническая документация (оригиналы) хранится здесь:

Hilti Entwicklungsgesellschaft mbH | Zulassung Geräte | Hiltistraße 6 | 86916 Kaufering, Германия

2 Безопасность**2.1 Общие указания по технике безопасности для электроинструментов**

⚠ ПРЕДУПРЕЖДЕНИЕ Изучите все указания по технике безопасности, инструкции, иллюстрации и технические данные, которые прилагаются к данному электроинструменту. Несоблюдение приводимых ниже указаний может привести к поражению электрическим током, пожару и/или тяжелым травмам.

Сохраните все указания по технике безопасности и инструкции для следующего пользователя.

Используемый далее термин «электроинструмент» относится к электроинструменту, работающему от электрической сети (с кабелем электропитания) и от аккумулятора (без кабеля электропитания).

Безопасность рабочего места

- ▶ Следите за чистотой и хорошей освещенностью на рабочем месте. Беспорядок на рабочем месте или плохое освещение могут привести к несчастным случаям.
- ▶ Не используйте электроустройство/электроинструмент во взрывоопасной зоне, где имеются горючие жидкости, газы или пыль. При работе электроустройство/электроинструмент искрит, и искры могут воспламенить пыль или пары/газы.
- ▶ Не разрешайте детям и посторонним приближаться к работающему электроустройству/электроинструменту. Отвлекаясь от работы, можно потерять контроль над электроустройством/электроинструментом.

Электрическая безопасность

- ▶ Соединительная вилка электроинструмента должна соответствовать розетке электросети. Не изменяйте конструкцию вилки! Не используйте переходные вилки с электроинструментами с защитным заземлением. Использование оригинальных вилок и соответствующих им розеток снижает риск поражения электрическим током.
- ▶ Избегайте непосредственного контакта с заземленными поверхностями, например с трубами, отопительными приборами, газо-/электропластинами и холодильниками. При контакте с заземленными предметами возникает повышенный риск поражения электрическим током.
- ▶ Предохраняйте электроинструменты от дождя или воздействия влаги. В результате попадания воды в электроинструмент возрастает риск поражения электрическим током.
- ▶ Не используйте кабель электропитания не по назначению, например для переноски электроинструмента, его подвешивания или для выдергивания вилки из розетки электросети. Защищайте кабель электропитания от воздействий высоких температур, масла, острых кромок или вращающихся деталей/узлов. В результате повреждения или схлестывания кабелей электропитания повышается риск поражения электрическим током.
- ▶ Если работы с электроинструментом выполняются на открытом воздухе, применяйте только удлинительные кабели, которые разрешено использовать вне помещений. Использование удлинительного кабеля, пригодного для использования вне помещений, снижает риск поражения электрическим током.
- ▶ Если избежать работы с электроинструментом в условиях влажности не представляется возможным, используйте автомат защиты от тока утечки. Использование автомата защиты от тока утечки снижает риск поражения электрическим током.



Безопасность персонала

- ▶ **Будьте внимательны, следите за своими действиями и серьезно относитесь к работе с электроинструментом. Не пользуйтесь электроинструментом, если вы устали или находитесь под действием наркотиков, алкоголя или медикаментов.** Незначительная ошибка при невнимательной работе с электроинструментом может стать причиной серьезного травмирования.
- ▶ **Используйте средства индивидуальной защиты и всегда надевайте защитные очки.** Использование средств индивидуальной защиты, например респиратора, защитной обуви на нескользящей подошве, защитной каски или защитных наушников, в зависимости от вида и условий эксплуатации электроинструмента, снижает риск травмирования.
- ▶ **Избегайте непреднамеренного включения электроинструмента. Убедитесь в том, что электроинструмент выключен, прежде чем подключить его к электропитанию и/или вставить аккумулятор, поднимать или переносить электроинструмент.** Ситуации, когда при переноске электроинструмента палец находится на выключателе или когда включенный электроинструмент подключается к электросети, могут привести к несчастным случаям.
- ▶ **Перед включением электроинструмента удалите регулировочные приспособления или гаечные ключи.** Рабочий инструмент или гаечный ключ, находящийся во вращающейся части электроинструмента, может стать причиной получения травм.
- ▶ **Старайтесь избегать неестественных поз при работе. Постоянно сохраняйте устойчивое положение и равновесие.** Это позволит лучше контролировать электроинструмент в непредвиденных ситуациях.
- ▶ **Носите спецодежду. Не надевайте очень свободную одежду или украшения. Оберегайте волосы, одежду и защитные перчатки от вращающихся узлов электроинструмента.** Свободная одежда, украшения и длинные волосы могут быть захвачены ими.
- ▶ **Если предусмотрено подсоединение устройств для удаления и сбора пыли, убедитесь в том, что они подсоединены и используются по назначению.** Использование пылеудаляющего аппарата снижает вредное воздействие пыли.
- ▶ **Не пребывайте в ложной уверенности в собственной безопасности и не пренебрегайте правилами техники безопасности для электроинструментов, даже если вы являетесь опытным пользователем электроинструмента.** Неосторожное обращение может в течение долей секунды стать причиной получения тяжелых травм.

Использование и обслуживание электроинструмента

- ▶ **Не допускайте перегрузки электроинструмента. Используйте электроинструмент, предназначенный именно для данной работы.** Соблюдение этого правила обеспечит более высокое качество и безопасность работы в указанном диапазоне мощности.
- ▶ **Не используйте электроинструмент с неисправным выключателем.** Электроинструмент, включение или выключение которого затруднено, представляет опасность и должен быть отремонтирован.
- ▶ **Прежде чем приступить к регулировке электроинструмента, замене принадлежностей или перед перерывом в работе выньте вилку из розетки и/или аккумулятор из электроинструмента.** Данная мера предосторожности позволит предотвратить непреднамеренное включение электроинструмента.
- ▶ **Храните неиспользуемые электроинструменты в местах, недоступных для детей. Не позволяйте использовать электроинструмент лицам, которые не ознакомлены с ним или не читали эти инструкции.** Электроинструменты представляют собой опасность в руках неопытных пользователей.
- ▶ **Бережно обращайтесь с электроинструментами и принадлежностями. Проверяйте безупречное функционирование подвижных частей, легкость их хода, целостность и отсутствие повреждений, которые могли бы отрицательно повлиять на работу электроинструмента. Сдавайте поврежденные части электроинструмента в ремонт до его использования.** Причиной многих несчастных случаев является несоблюдение правил технического обслуживания электроинструментов.
- ▶ **Необходимо следить за тем, чтобы режущие инструменты были острыми и чистыми.** Заклинивание содержащихся в надлежащем состоянии режущих инструментов происходит реже, ими легче управлять.
- ▶ **Применяйте электроинструмент, принадлежности (оснастку), рабочие инструменты и т. д. согласно данным указаниям. Учитывайте при этом рабочие условия и характер выполняемой работы.** Использование электроинструментов не по назначению может привести к опасным ситуациям.
- ▶ **Замасленные рукоятки и поверхности для хвата немедленно очищайте — они должны быть сухими и чистыми.** Скользкие рукоятки и поверхности для хвата не обеспечивают безопасное управление и контроль электроинструмента в непредвиденных ситуациях.



Использование и обслуживание аккумуляторного инструмента

- ▶ **Заряжайте аккумуляторы только с помощью зарядных устройств, рекомендованных изготовителем.** При использовании зарядного устройства для зарядки несоответствующих ему типов аккумуляторов существует опасность возгорания.
- ▶ **Используйте только оригинальные аккумуляторы, рекомендованные специально для этого электроинструмента.** Использование других аккумуляторов может привести к травмам и опасности возгорания.
- ▶ **Неиспользуемые аккумуляторы храните вдали от скрепок, монет, ключей, гвоздей, шурупов или других мелких металлических предметов, которые могут стать причиной замыкания контактов.** Замыкание контактов аккумулятора может привести к ожогам или возгоранию.
- ▶ **При неверном обращении с аккумулятором из него может вытечь электролит. Избегайте контакта с ним. При случайном контакте смойте водой. При попадании электролита в глаза немедленно обратитесь за помощью к врачу.** Вытекший из аккумулятора электролит может привести к раздражению кожи или ожогам.
- ▶ **Не используйте поврежденный или измененный аккумулятор.** Поврежденные или измененные аккумуляторы могут функционировать непредсказуемо и стать причиной возгорания, взрыва или травмирования.
- ▶ **Не подвергайте аккумулятор воздействию огня или слишком высоких температур.** Огонь или температура свыше 130 °C могут спровоцировать взрыв аккумулятора.
- ▶ **Соблюдайте все указания по зарядке и никогда не заряжайте аккумулятор или аккумуляторный инструмент вне температурного диапазона, указанного в руководстве по эксплуатации.** Неправильная зарядка/зарядка вне указанного в руководстве по эксплуатации температурного диапазона могут привести к разрушению аккумулятора и повышают опасность возгорания.

Сервис

- ▶ **Доверяйте ремонт своего электроинструмента только квалифицированному персоналу, использующему только оригинальные запчасти.** Этим обеспечивается поддержание электроинструмента в безопасном состоянии.
- ▶ **Категорически запрещается выполнять обслуживание поврежденных аккумуляторов.** Все технические работы с аккумуляторами должны выполняться только производителем или авторизованными сервисными мастерскими.

2.2 Указания по технике безопасности при работе с перфораторами**Указания по технике безопасности при выполнении любых работ**

- ▶ **Надевайте защитные наушники.** В результате воздействия шума возможна потеря слуха.
- ▶ **Используйте дополнительные рукоятки, которые входят в комплект электроинструмента.** Потеря контроля над электроинструментом может привести к травмам.
- ▶ **При опасности повреждения рабочим инструментом скрытой электропроводки держите электроинструмент за изолированные поверхности рукояток.** При контакте с токопроводящей линией металлические части электроинструмента также находятся под напряжением, что может привести к поражению электрическим током.

2.3 Дополнительные указания по технике безопасности при работе с отбойным молотком**Безопасность персонала**

- ▶ Используйте электроинструмент и его принадлежности только в технически исправном состоянии.
- ▶ Внесение изменений в конструкцию электроинструмента/принадлежностей или его/их модификация категорически запрещаются.
- ▶ По возможности используйте транспортировочную тележку или другие транспортировочные средства. При отсутствии транспортировочной тележки или транспортировочного средства переносить электроинструмент следует всегда вдвоем с помощником. Учитывайте, что электроинструмент и транспортировочная тележка имеют значительный вес.
- ▶ При долблении потолочных перекрытий, стен и полов будьте осторожны и следите за устойчивостью своей рабочей позы. Внезапный проход инструмента насквозь может вывести вас из равновесия!
- ▶ При изготовлении сквозных проемов ограждайте опасную зону с противоположной стороны стены. Вылетающие наружу и/или падающие вниз осколки могут травмировать других людей.
- ▶ Во время работы с электроинструментом пользователь и находящиеся в непосредственной близости лица должны использовать подходящие защитные очки, защитную каску, защитные наушники, защитные перчатки и легкий респиратор.



- ▶ Пыль, возникающая при шлифовании, абразивной обработке, резке и сверлении, может содержать опасные химические вещества. Несколько примеров материалов, содержащих опасные вещества: свинец или краски на свинцовой основе; кирпич, бетон и другие материалы для кладки, природный камень и другие силикатсодержащие изделия; определенные виды древесины, такие как дуб, бук и химически обработанная древесина; асбест или материалы, содержащие асбест. Определите степень воздействия на оператора и окружающих лиц по классу опасности обрабатываемых материалов. Примите необходимые меры для обеспечения безопасного уровня воздействия, например, путем использования подходящих систем пылеудаления или ношения подходящих средств защиты органов дыхания. Общие меры по снижению опасного воздействия:
 - ▶ Работайте в хорошо проветриваемом помещении.
 - ▶ Избегайте длительного контакта с пылью.
 - ▶ Удаляйте пыль с лица и тела.
 - ▶ Носите защитную одежду и промывайте открытые участки, подверженные воздействию, водой с мылом.
- ▶ При замене рабочего инструмента надевайте защитные перчатки. Соблюдайте осторожность при замене рабочего инструмента — контакт с ним может привести к порезам и ожогам.
- ▶ Опасность травмирования вследствие падения инструментов и/или принадлежностей. Перед началом работы убедитесь в том, что аккумулятор и установленная принадлежность надежно закреплены.
- ▶ Всегда следите за чистотой вентиляционных прорезей. Опасность возгорания вследствие перекрывания вентиляционных прорезей!
- ▶ Пользуйтесь защитными очками. Осколки материала могут травмировать тело и глаза.
- ▶ Чтобы во время работы руки не затекали, время от времени делайте перерывы и упражнения для расслабления и разминки пальцев. Возникающие при длительной работе вибрации могут привести к нарушениям кровоснабжения сосудов или в нервных окончаниях пальцев/кистей рук или в запястьях.
- ▶ Всегда следите за устойчивым положением электроинструмента. Всегда оставляйте электроинструмент на ровной и устойчивой поверхности, не подверженной ударам и вибрациям.

Электрическая безопасность

- ▶ Перед началом работы проверяйте рабочую зону на наличие скрытой электропроводки, газо- и водопроводных труб. Открытые металлические части электроинструмента могут стать проводниками электрического тока или привести к взрыву, если случайно задеть (повредить) электропроводку, газо- или водопровод.

Бережное обращение с электроинструментами и их правильная эксплуатация

- ▶ Дождитесь, пока электроинструмент полностью не остановится, прежде чем отложить его в сторону.
- ▶ Включайте электроинструмент только в рабочем положении.

2.4 Аккуратное обращение с аккумуляторами и их правильное использование

- ▶ **Соблюдайте следующие указания по технике безопасности для безопасного обращения и использования литий-ионных аккумуляторов.** Их несоблюдение может привести к раздражениям кожи, серьезным травмам, химическим ожогам, возгоранию и/или взрывам.
- ▶ Используйте аккумуляторы только в технически исправном состоянии.
- ▶ Обращайтесь с аккумуляторами осторожно, чтобы не допустить повреждений и предотвратить выход жидкостей, представляющих серьезную опасность для здоровья!
- ▶ Категорически запрещается вносить изменения в конструкцию аккумуляторов или выполнять недопустимые манипуляции с ними!
- ▶ Запрещается разбирать, сдавливать, нагревать до температуры свыше 80 °С или сжигать аккумуляторы.
- ▶ Не используйте или не заряжайте аккумуляторы, которые подвергались механическим (ударным) нагрузкам или получили повреждение каким-либо иным образом. Регулярно проверяйте используемые вами аккумуляторы на признаки повреждений.
- ▶ Категорически запрещается использовать восстановленные аккумуляторы или аккумуляторы после вторичной переработки.
- ▶ Категорически запрещается использовать аккумулятор или работающие от аккумулятора электроинструменты в качестве ударного инструмента.
- ▶ Категорически запрещается подвергать аккумуляторы воздействию прямого солнечного излучения, высокой температуры, искр или открытого пламени. Это может привести к взрывам.



- ▶ Не касайтесь аккумуляторных клемм (полюсов) пальцами, рабочими инструментами, украшениями или иными токопроводящими предметами. Это можно повредить аккумулятор, а также привести к материальному ущербу и травмам.
- ▶ Предохраняйте аккумуляторы от дождя, повышенной влажности и жидкостей. Проникшая влага может привести к коротким замыканиям, ударам электрическим током, ожогам, возгоранию или взрывам.
- ▶ Используйте только допущенные для данного типа аккумуляторов зарядные устройства и электроинструменты. Соблюдайте указания, приводимые в соответствующих руководствах по эксплуатации.
- ▶ Не используйте или не храните аккумулятор во взрывоопасных зонах.
- ▶ Слишком сильный нагрев аккумулятора (такой, что до него невозможно дотронуться) указывает на его возможный дефект. Разместите аккумулятор на безопасном расстоянии от воспламеняющихся материалов в хорошо просматриваемом и пожаробезопасном месте. Дайте остыть аккумулятору. Если по истечении одного часа аккумулятор все еще остается таким горячим, что его нельзя взять в руки, это означает, что он неисправен. Обратитесь в сервисную службу **Hilti** или изучите документ «Указания по технике безопасности и использованию литий-ионных аккумуляторов **Hilti**».

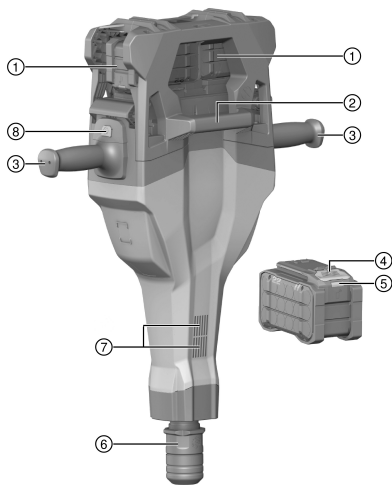


Соблюдайте специальные директивы по транспортировке, хранению и использованию литий-ионных аккумуляторов. → страница 120

Ознакомьтесь с указаниями по технике безопасности и использованию литий-ионных аккумуляторов **Hilti**, которые можно посмотреть путем сканирования QR-кода в конце этого руководства по эксплуатации.

3 Описание

3.1 Обзор изделия 1



- ① Аккумуляторы
- ② Ручка для переноски
- ③ Рукоятки
- ④ Кнопка деблокировки аккумулятора
- ⑤ Индикатор статуса аккумулятора
- ⑥ Зажимной патрон
- ⑦ Вентиляционные прорези
- ⑧ Выключатель

3.2 Обзор транспортировочной тележки и кейса B22/C (XL) (опция) 2

- ① Рукоятка
- ② Фиксатор
- ③ Стопорная скоба
- ④ Фиксатор кейса для аккумуляторов B22/C (XL)
- ⑤ Держатель для расходного материала (зубил)
- ⑥ Колеса
- ⑦ Крепление колеса (шайба, шплинт)
- ⑧ Зажимная оправка (для фиксации электроинструмента)
- ⑨ Ручка для переноски
- ⑩ Аккумулятор
- ⑪ Зарядное устройство
- ⑫ Кейс B22/C (XL)



3.3 Использование по назначению

Данный электроинструмент представляет собой ручной аккумуляторный отбойный молоток. Он предназначен для долбления бетона, кирпичной кладки и асфальта. Кроме того, его можно использовать для трамбования и выемки грунта.

Электроинструмент разрешается использовать только для выполнения работ по направлению к земле (вниз, к полу).

- Для этого электроинструмента используйте только литий-ионные аккумуляторы фирмы **Hilti** серии B 22 Nuron. Для обеспечения оптимальной мощности **Hilti** рекомендует использовать с этим электроинструментом аккумуляторы, указанные в таблице в конце этого руководства по эксплуатации.
- Для зарядки этих аккумуляторов используйте только зарядные устройства **Hilti**, указанные в таблице в конце этого руководства по эксплуатации.

3.4 Неправильное использование

- Данный электроинструмент запрещается использовать во влажной среде.
- Не используйте электроинструмент там, где существует опасность пожара или взрыва.
- Сбор опасных для здоровья материалов (например, асбеста) запрещается.
- Не транспортируйте электроинструмент с помощью крана.
- Выполнять работы с этим электроинструментом на стремянке запрещается.
- Использовать этот электроинструмент в горизонтальном рабочем направлении к стене не разрешается.
- Не используйте удерживающие тросы для инструмента.

3.5 Active Vibration Reduction

Электроинструмент оснащен системой Active Vibration Reduction (AVR), которая обеспечивает заметное снижение вибраций.

3.6 Комплект поставки

Аккумуляторный отбойный молоток, руководство по эксплуатации, консистентная смазка

Транспортировочная тележка и кейс для аккумуляторов и зарядного устройства предлагаются как принадлежности.

Другие системные принадлежности, допущенные для использования с этим изделием, вы можете найти в **Hilti Store** или на сайте www.hilti.group.

3.7 Индикации состояния литий-ионного аккумулятора

Литий-ионные аккумуляторы **Hilti** Nuron оснащены светодиодами для индикации уровня заряда, сигналов ошибки и состояния батареи.

3.7.1 Индикация уровня заряда и сигналов ошибки

ПРЕДУПРЕЖДЕНИЕ

Опасность травмирования вследствие падения аккумулятора!

- ▶ При вставленном аккумуляторе путем нажатия кнопки разблокировки убедитесь в правильной повторной фиксации аккумулятора в используемом электроинструменте.

Для получения одной из следующих индикаций коротко нажмите кнопку разблокировки аккумулятора. Уровень заряда, а также возможные неисправности также отображаются в течение всего времени, пока подключенный (к аккумулятору) электроинструмент включен.

Состояние	Значение
Четыре (4) светодиода непрерывно горят зеленым.	Уровень заряда: от 100 % до 71 %
Три (3) светодиода непрерывно горят зеленым.	Уровень заряда: от 70 % до 51 %
Два (2) светодиода непрерывно горят зеленым.	Уровень заряда: от 50 % до 26 %
Один (1) светодиод непрерывно горит зеленым.	Уровень заряда: от 25 % до 10 %



Состояние	Значение
Один (1) светодиод мигает зеленым с низкой частотой.	Уровень заряда: < 10 %
Один (1) светодиод мигает зеленым с высокой частотой.	Литий-ионный аккумулятор полностью разряжен. Зарядите аккумулятор. Если светодиод после зарядки аккумулятора все еще мигает с высокой частотой, обратитесь в сервисную службу Hilti .
Один (1) светодиод мигает желтым с высокой частотой.	Литий-ионный аккумулятор или подключенный к нему электроинструмент перегружены, слишком горячие, слишком холодные или имеет место другая ошибка. Обеспечьте доведение электроинструмента и аккумулятора до рекомендуемой рабочей температуры и не перегружайте электроинструмент при его использовании. Если сигнал остается, обратитесь в сервисную службу Hilti .
Один (1) светодиод горит желтым.	Литий-ионный аккумулятор и сопряженный с ним электроинструмент не совместимы друг с другом. Обратитесь в сервисный центр Hilti .
Один (1) светодиод мигает красным с высокой частотой.	Литий-ионный аккумулятор заблокирован и его дальнейшее использование невозможно. Обратитесь в сервисный центр Hilti .

3.7.2 Индикаторы состояния аккумулятора

Для запроса состояния аккумулятора удерживайте кнопку разблокировки нажатой в течение более 3 с. Система не распознает потенциальное нарушение работы аккумуляторной батареи вследствие неправильного обращения, например, падения, проколов, внешнего термического воздействия и т. д.

Состояние	Значение
Все светодиоды загораются в виде бегущего огня, после чего один (1) светодиод горит зеленым.	Аккумулятор можно продолжать использовать.
Все светодиоды загораются в виде бегущего огня, после чего один (1) светодиод мигает желтым с высокой частотой.	Не удалось завершить запрос состояния аккумулятора. Повторите процесс или обратитесь в сервисную службу Hilti .
Все светодиоды загораются в виде бегущего огня, после чего один (1) светодиод горит красным.	В случае возможности дальнейшего использования подключенного электроинструмента оставшаяся емкость аккумулятора составляет ниже 50 %. Если подключенный электроинструмент больше использовать невозможно, ресурс аккумулятора исчерпан и аккумулятор следует заменить. Обратитесь в сервисный центр Hilti .

4 Аккумуляторный отбойный молоток

	TE 2000-22
Масса по EPTA Procedure 01 без аккумулятора	17,4 кг
Энергия одиночного удара (EPTA-Procedure 05)	38,2 Дж
Температура окружающей среды при эксплуатации	-17 °C ... 60 °C
Температура хранения	-20 °C ... 70 °C



4.1 Аккумулятор

Рабочее напряжение аккумулятора	21,6 В
Масса аккумулятора	См. в конце этого руководства по эксплуатации
Температура окружающей среды при эксплуатации	-17 °C ... 60 °C
Температура хранения	-20 °C ... 40 °C
Температура аккумулятора в начале зарядки	-10 °C ... 45 °C

4.2 Данные по шуму и вибрациям согласно EN 62841

Приводимые здесь значения уровня звукового давления и вибрации были измерены согласно стандартизированной процедуре измерения и могут использоваться для сравнения электроинструментов между собой. Они также подходят для предварительной оценки вредных воздействий.

Указанные данные применимы к основным областям применения электроинструмента. Однако, если электроинструмент используется для других целей, с другими рабочими (сменными) инструментами или в случае его неудовлетворительного технического обслуживания, данные могут быть иными. Вследствие этого в течение всего периода работы электроинструмента возможно значительное увеличение вредных воздействий.

Для точного определения вредных воздействий следует также учитывать промежутки времени, в течение которых электроинструмент находится в выключенном состоянии или работает вхолостую. Вследствие этого в течение всего периода работы электроинструмента возможно заметное уменьшение вредных воздействий.

Примите дополнительные меры безопасности для защиты пользователя от воздействия возникающего шума и/или вибраций, например: техническое обслуживание электроинструмента и рабочих (сменных) инструментов, сохранение тепла рук, правильная организация рабочих процессов.

Данные о шуме

Измеренный уровень звуковой мощности (L_{WA})	98 дБ(А)
Погрешность уровня звуковой мощности (K_{WA})	3 дБ(А)
Уровень звукового давления (L_{pA})	87 дБ(А)
Погрешность уровня звукового давления (K_{pA})	3 дБ(А)

Общие значения вибрации

Долбление ($a_{h, \text{Числ}}$)	В 22-170	3,8 м/с ²
	В 22-255	3,8 м/с ²
Коэффициент погрешности (К)		1,5 м/с ²

5 Подготовка к работе

ПРЕДУПРЕЖДЕНИЕ

Опасность травмирования вследствие непреднамеренного пуска!

- ▶ Перед установкой аккумулятора убедитесь в том, что электроинструмент выключен.
- ▶ Прежде чем приступить к регулировке электроинструмента или замене принадлежностей выньте аккумуляторы из электроинструмента.

Соблюдайте указания по технике безопасности и предупреждающие указания, приводимые в данном документе и на изделии.

5.1 Зарядка аккумуляторов

1. Перед зарядкой изучите руководство по эксплуатации зарядного устройства.
2. Убедитесь в том, что контакты аккумулятора и зарядного устройства чистые и сухие.
3. Заряжайте аккумулятор только в допущенном к эксплуатации зарядном устройстве. → страница 115



5.2 Установка аккумуляторов

ПРЕДУПРЕЖДЕНИЕ

Опасность травмирования вследствие короткого замыкания или падения аккумулятора!

- ▶ Перед установкой аккумуляторов убедитесь в чистоте их контактов и контактов электроинструмента.
- ▶ Убедитесь в том, что аккумуляторы правильно установлены и зафиксированы.

1. Перед первым вводом в эксплуатацию полностью заряжайте аккумуляторы.
2. Задвиньте аккумуляторы в электроинструмент до характерного щелчка, который свидетельствует об их надлежащей фиксации.
3. Проверьте надежность фиксации аккумуляторов.

5.3 Извлечение аккумулятора

1. Нажмите кнопку деблокировки аккумулятора.
2. Извлеките аккумулятор из инструмента.

6 Управление

Соблюдайте указания по технике безопасности и предупреждающие указания, приводимые в данном документе и на изделии.

6.1 Установка рабочего инструмента

1. Слегка смажьте хвостовик рабочего инструмента.



Использование неподходящей неконсистентной смазки может стать причиной повреждений электроинструмента. **Используйте только оригинальную консистентную смазку фирмы Hilti.**

2. Вставьте рабочий инструмент в зажимной патрон и проверните его с небольшим усилием, пока рабочий инструмент не зафиксируется со щелчком.
3. Потяните рабочий инструмент на себя, чтобы удостовериться, что он надежно закреплен в фиксаторе (зажимном патроне).

6.2 Извлечение рабочего инструмента

ОСТОРОЖНО

Опасность травмирования! Рабочий инструмент может нагреваться и/или иметь острые кромки.

- ▶ При смене рабочего инструмента пользуйтесь защитными перчатками.
- ▶ Категорически запрещается укладывать нагретый рабочий инструмент на воспламеняющиеся основания.

1. Оттяните зажимной патрон до упора назад.
2. Извлеките рабочий инструмент.

6.3 Управление

Соблюдайте указания по технике безопасности и предупреждающие указания, приводимые в данном документе и на изделии.

Перед началом работ согласуйте их в полном объеме с начальником строительного участка (прорабом).

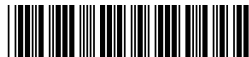
6.3.1 Долбление

1. Переведите зубило в нужное положение.
2. Нажмите выключатель.



Работа при низких температурах:

Минимальной рабочей температурой является температура, достаточная для срабатывания ударного механизма электроинструмента. Для ее достижения установите электроинструмент на короткое время на базовый материал и дайте поработать ему на холостом ходу. При необходимости повторите операцию, пока не запустится ударный механизм.



6.3.2 Выключение

- ▶ Нажмите выключатель.

6.3.3 Указания по работе



Зубило можно установить в шести разных положениях (с шагом 60°). Благодаря этому плоские и фасонные зубила всегда можно установить в оптимально подходящее для работы положение.

- ▶ Установите зубило на расстоянии прим. 80–100 мм от кромки.
- ▶ При долблении материала с арматурными стержнями всегда ведите зубило по кромке материала, а не по арматуре.
- ▶ Начинаяте процесс долбления под углом 90° к бетонной поверхности и направляйте вершину зубила к кромке. Затем измените угол в направлении от 70° до 80° и выполните вскрытие материала.
- ▶ Периодически поворачивайте зубило, так как равномерный износ способствует самозаточке рабочего инструмента.
- ▶ Слишком слабый нажим приводит к тому, что зубило отскакивает от базового материала. Слишком сильный нажим обуславливает снижение мощности долбления.

7 Транспортировочная тележка и кейс B22/C (XL)

7.1 Транспортировка

Транспортировочная тележка служит для безопасной транспортировки отбойного молотка.

Кейс B22/C (XL) предназначен для безопасной транспортировки зарядного устройства и аккумулятора.

- Следите за устойчивым положением тележки.
- Установите электроинструмент на предусмотренную для него зажимную оправку и при транспортировке всегда фиксируйте электроинструмент с помощью предназначенной для этого стопорной скобы.
- Установите кейс B22/C (XL) на транспортировочную тележку и зафиксируйте его фиксатором.
- Убедитесь в отсутствии препятствий на пути транспортировки.
- Не оставляйте тележку на площадках с наклоном.
- Не транспортируйте транспортировочную тележку и кейс B22/C (XL) с помощью крана.
- Вставьте зубило в соответствующий держатель до щелчка.
- Убедитесь в отсутствии препятствий на пути транспортировки.
- Не оставляйте тележку на площадках с наклоном.
- Не транспортируйте транспортировочную тележку и кейс B22/C (XL) с помощью крана.

8 Уход и техническое обслуживание



ПРЕДУПРЕЖДЕНИЕ

Опасность травмирования при установленных аккумуляторах !

- ▶ Перед проведением любых работ по уходу и обслуживанию всегда извлекайте аккумуляторы!

Уход за электроинструментом

- Осторожно удаляйте налипшую грязь.
- Осторожно очищайте вентиляционные прорези (при их наличии) сухой щеткой.
- Очищайте корпус только с использованием слегка увлажненной ткани. Не используйте средства по уходу с содержанием силикона, поскольку они могут повредить пластиковые детали.

Уход за литий-ионными аккумуляторами

- Категорически запрещается использовать аккумулятор с забитыми вентиляционными прорезями. Осторожно очистите вентиляционные прорези сухой мягкой щеткой.
- Не допускайте чрезмерного запыления или загрязнения аккумулятора. Категорически запрещается подвергать аккумулятор чрезмерному воздействию влаги (например, опускать его в воду или оставлять под дождем).

Если аккумулятор промокнет, обращайтесь с ним, как с поврежденным. Поместите его в контейнер из негорючего материала и обратитесь в сервисную службу **Hilti**.



- Аккумулятор должен быть чистым, без следов масла и смазки. Не допускайте чрезмерного скопления пыли или грязи на аккумуляторе. Очищайте аккумулятор сухой мягкой кистью или чистой и сухой тряпкой.
Не используйте средства по уходу с содержанием силикона, поскольку они могут повредить пластиковые детали.
- Очищайте корпус только с использованием слегка увлажненной ткани. Не используйте средства по уходу с содержанием силикона, поскольку они могут повредить пластиковые детали.

Техническое обслуживание

- Регулярно проверяйте все видимые части электроинструмента на отсутствие повреждений, а элементы управления — на исправное функционирование.
- При повреждениях и/или функциональных сбоях не используйте электроинструмент. Сразу сдавайте его в сервисный центр **Hilti** для ремонта.
- После ухода за электроинструментом и его технического обслуживания установите все защитные приспособления на место и проверьте их исправное функционирование.



Для обеспечения безопасной эксплуатации используйте только оригинальные запасные части и расходные материалы. Допущенные нами запасные части, расходные материалы и принадлежности для данного изделия вы можете найти в **Hilti Store** или смотрите на www.hilti.group.

9 Транспортировка и хранение аккумуляторных инструментов и аккумуляторов

Транспортировка

ОСТОРОЖНО

Непреднамеренное включение в ходе транспортировки !

- ▶ При транспортировке своих электроинструментов всегда отсоединяйте от них аккумуляторы!
- ▶ Извлеките аккумулятор(ы).
- ▶ Категорически запрещается транспортировать аккумуляторы без упаковки (бестарным способом). Во время транспортировки необходимо принять меры по защите аккумуляторов от сильных ударов и вибраций и изолировать их от любых токопроводящих материалов или других аккумуляторов, чтобы не допустить их контакта с клеммами других аккумуляторов и, как следствие этого, короткого замыкания. **Соблюдайте действующие предписания по транспортировке аккумуляторов.**
- ▶ Запрещается пересылать аккумуляторы по почте. Обратитесь в транспортно-экспедиционную компанию, если вы хотите переслать поврежденные аккумуляторы.
- ▶ Перед каждым использованием, а также перед длительной транспортировкой и после нее проверьте электроинструмент и аккумуляторы на отсутствие повреждений.

Хранение

ПРЕДУПРЕЖДЕНИЕ

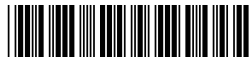
Непреднамеренное повреждение вследствие неисправных или протекающих аккумуляторов !

- ▶ При хранении своих электроинструментов всегда отсоединяйте от них аккумуляторы!
- ▶ По возможности храните фонарь и аккумуляторы в сухом и прохладном месте. Соблюдайте ограничения по температуре, приводимые в технических характеристиках.
- ▶ Не храните аккумуляторы на зарядном устройстве. После зарядки всегда извлекайте аккумулятор из зарядного устройства.
- ▶ Никогда не оставляйте аккумуляторы на солнце, на нагревательных/отопительных элементах или за стеклом.
- ▶ Храните фонарь и аккумуляторы в недоступном для детей и посторонних лиц месте.
- ▶ Перед каждым использованием, а также перед длительным хранением и после него проверяйте электроинструмент и аккумуляторы на отсутствие повреждений.

10 Помощь при неисправностях

При любых неисправностях следите за индикатором уровня заряда и неисправностей аккумулятора. См. главу **Индикации состояния литий-ионного аккумулятора**.

В случае неисправностей, которые не указаны в этой таблице или которые вы не можете устранить самостоятельно, обращайтесь в ближайший сервисный центр **Hilti**.



Неисправность	Возможная причина	Решение
При установке аккумулятора не слышно характерного щелчка.	Грязь на фиксирующем выступе аккумулятора или соответствующих контактах электронного инструмента	► Очистите фиксирующие выступы и вставьте аккумулятор повторно.
Аккумулятор разряжается быстрее, чем обычно.	Состояние аккумулятора далеко от оптимального.	► Проверьте состояние аккумулятора. → страница 115
Электроинструмент не включается.	Вставлен только один заряженный аккумулятор.	► Вставьте второй заряженный аккумулятор.
Нет удара.	Электроинструмент слишком холодный.	► Установите электроинструмент на базовый материал и дайте поработать ему в холостом режиме. При необходимости повторяйте процедуру, пока не заработает ударный механизм.
Сильный нагрев электроинструмента или аккумулятора.	Неисправность электрики	► Немедленно выключите электроинструмент. Извлеките аккумуляторы и наблюдайте за ними. Дайте им остыть. Свяжитесь с сервисной службой Hilti .
Электроинструмент не включается или выключается во время работы.	Электроинструмент/аккумуляторы слишком горячие или аккумуляторы слишком холодные.	► Выключите, дайте остыть электроинструменту/аккумуляторам. ► Аккумуляторы слишком холодные. Увеличьте/уменьшите температуру аккумуляторов до рекомендуемой рабочей температуры.

11 Утилизация



ПРЕДУПРЕЖДЕНИЕ

Опасность травмирования вследствие неправильной утилизации! Опасность для здоровья вследствие выхода газов или жидкостей.

- Не пересылайте поврежденные аккумуляторы!
- Закрывайте аккумуляторные контакты не проводящим ток материалом, чтобы избежать коротких замыканий.
- Утилизируйте аккумуляторы так, чтобы исключить их попадание в руки детей.
- Утилизируйте аккумулятор через ближайший **Hilti Store** или обратитесь в специализированную фирму по утилизации.



Большинство материалов, из которых изготовлены изделия **Hilti**, подлежат вторичной переработке. Перед утилизацией следует тщательно рассортировать материалы (для удобства их последующей переработки). Во многих странах фирма **Hilti** уже организовала прием бывших в использовании электрических и электронных устройств (инструментов, приборов) для утилизации. Дополнительную информацию по этому вопросу можно получить в отделе по обслуживанию клиентов или у консультантов по продажам фирмы **Hilti**.



- Не выбрасывайте электрические инструменты, электронные устройства/приборы и аккумуляторы вместе с обычным мусором!

12 Гарантия производителя

- С вопросами относительно гарантийных условий обращайтесь в ближайшее представительство **Hilti**.



13 Додаткова інформація

Додаткову інформацію щодо управління, технічного оснащення, захисту навколишнього середовища та повторного використання см. по наступній посиланні: qr.hilti.com/manual/?id=2301751&id=2301753

Ця посилання також наводиться в кінці документа в вигляді QR-кода.

Оригінальна інструкція з експлуатації**1 Інформація про документацію****1.1 Інформація про цей документ**

- Перш ніж розпочинати роботу з інструментом, прочитайте цей документ. Це є передумовою безпечної роботи та відсутності несправностей під час застосування інструмента.
- Дотримуйтеся попереджувальних вказівок та вказівок з техніки безпеки, наведених у цьому документі та на корпусі інструмента.
- Завжди зберігайте інструкцію з експлуатації поблизу інструмента та передавайте інструмент іншим особам лише разом з інструкцією.

1.2 Пояснення символів**1.2.1 Попереджувальні вказівки**

Попереджувальні вказівки інформують користувача про фактори небезпеки, пов'язані із застосуванням інструмента. Використовуються такі сигнальні слова:

 НЕБЕЗПЕКА**НЕБЕЗПЕКА !**

- ▶ Указує на безпосередню небезпеку, що може призвести до отримання тяжких тілесних ушкоджень або навіть до смерті.

 ПОПЕРЕДЖЕННЯ**ПОПЕРЕДЖЕННЯ !**







- ▶ Указує на потенційно небезпечну ситуацію, яка може призвести до отримання тяжких тілесних ушкоджень або навіть смерті.

 ОБЕРЕЖНО**ОБЕРЕЖНО !**

- ▶ Указує на потенційно небезпечну ситуацію, яка може призвести до отримання тілесних ушкоджень або до матеріальних збитків.

1.2.2 Символи в інструкції з експлуатації

У цій інструкції з експлуатації використовуються такі символи:

	Дотримуйтеся вказівок, наведених в інструкції з експлуатації
	Указівки щодо експлуатації та інша корисна інформація
	Поводження з матеріалами, придатними для вторинної переробки
	Не викидайте електроінструменти і акумуляторні батареї у баки для побутового сміття
	Hilti Літій-іонна акумуляторна батарея
	Hilti Зарядний пристрій



1.2.3 Символи на ілюстраціях

На ілюстраціях використовуються такі символи:

	Цифрами позначаються відповідні ілюстрації, наведені на початку цієї інструкції з експлуатації.
	Нумерація відображає послідовність робочих кроків на ілюстраціях та може відрізнятися від нумерації у тексті.
	Номера позицій, наведені на оглядовій ілюстрації , відповідають номерам у легенді, що представлена у розділі « Огляд продукту ».
	Цей символ позначає аспекти, на які слід звернути особливу увагу під час застосування інструмента.

1.3 Символи, що обумовлені типом інструмента

1.3.1 Символи на інструменті

На інструменті можуть бути наведені такі символи:

	Транспортування інструмента за допомогою підйомного крана заборонено
	Інструмент підтримує технологію NFC та є сумісним із платформами iOS та Android.
	Літій-іонна акумуляторна батарея
	Ніколи не використовуйте акумуляторну батарею у якості ударного інструмента.
	Не допускайте падіння акумуляторної батареї. Не використовуйте акумуляторну батарею, яка зазнала ударного навантаження або була пошкоджена іншим чином.

1.4 Інформація про інструмент

Інструменти призначені для професійного використання, а тому їхню експлуатацію, технічне обслуговування та ремонт слід доручати лише авторизованому персоналу зі спеціальною підготовкою. Цей персонал повинен бути спеціально проінструктований про можливі ризики. Інструмент та допоміжне приладдя можуть стати джерелом небезпеки у разі їхнього неправильного застосування некваліфікованим персоналом або у разі використання не за призначенням.

Тип та серійний номер зазначені на заводській табличці.

- ▶ Перелишіть серійний номер у наведену нижче таблицю. При оформленні запитів до нашого представництва та до сервісної служби вказуйте інформацію про інструмент.

Інформація про інструмент

Відбійний молоток	TE 2000-22
Версія	01
Серійний номер	

1.5 Сертифікат відповідності

Виробник зі всією належною відповідальністю заявляє, що описаний у цьому документі інструмент відповідає чинному законодавству і стандартам. Копія сертифіката відповідності наведена у кінці цього документа.

Технічна документація зазначена нижче:

Hilti Entwicklungsgesellschaft mBH | Zulassung Geräte | Hiltistraße 6 | 86916 Kaufering, DE

2 Безпека

2.1 Загальні вказівки з техніки безпеки при роботі з електроінструментами

⚠ ПОПЕРЕДЖЕННЯ! Уважно прочитайте усі вказівки та інструкції з техніки безпеки, ознайомтесь з малюнками та технічними даними цього електроінструмента. Щонайменше недотримання наведених нижче вказівок може призвести до ураження електричним струмом, займання та/або отримання тяжких травм.



Збережіть всі інструкції та вказівки з техніки безпеки – вони можуть знадобитися Вам у майбутньому.

Термін «електроінструмент», який використовується у вказівках з техніки безпеки, позначає як електроінструменти, що працюють від електричної мережі (із кабелем живлення), так і електроінструменти, що працюють від акумуляторної батареї (без кабелю живлення).

Безпека на робочому місці

- ▶ **Дбайте про чистоту та достатнє освітлення робочого місця.** Безлад на робочому місці та недостатнє освітлення можуть стати причиною нещасних випадків.
- ▶ **Не працюйте з електроінструментом у вибухонебезпечному середовищі, що містить легкозаймисті рідини, газу або пил.** Під час роботи електроінструментів утворюються іскри, від яких можуть зайнятися легкозаймисті випари або пил.
- ▶ **Подбайте про те, щоб під час використання електроінструмента поблизу не було дітей та сторонніх осіб.** Щонайменше відволікання може призвести до втрати контролю над інструментом.

Електрична безпека

- ▶ **Штепсельна вилка електроінструмента повинна підходити до розетки живлення. Забороняється вносити зміни до конструкції штепсельної вилки. Не дозволяється застосовувати перехідні штепсельні вилки в електроінструментах із захисним заземленням.** У разі використання оригінальних штепсельних вилок і відповідних розеток знижується ризик ураження електричним струмом.
- ▶ **Під час роботи намагайтеся не торкатися заземлених поверхонь, наприклад труб, радіаторів опалення, печей та холодильників.** Якщо Ваше тіло перебуває в контакті із системою заземлення, існує підвищений ризик ураження електричним струмом.
- ▶ **Захищайте електроінструменти від дощу та вологі.** У разі проникнення води в електроінструмент підвищується ризик ураження електричним струмом.
- ▶ **Використовуйте з'єднувальний кабель тільки за призначенням, не переносьте за нього електроінструмент, не користуйтеся ним для підвішування інструмента та не тримайтеся за нього, дістаючи штепсельну вилку з розетки. Оберігайте з'єднувальний кабель від впливу високих температур, від дії мастил та контакту з гострими кромками або рухомими частинами інструмента.** Пошкоджені або заплутані з'єднувальні кабелі підвищують ризик ураження електричним струмом.
- ▶ **Працюючи з електроінструментом під відкритим небом, використовуйте лише подовжувальний кабель, придатний для зовнішнього застосування.** Використання подовжувального кабелю, призначеного для зовнішнього застосування, зменшує ризик ураження електричним струмом.
- ▶ **Якщо неможливо уникнути експлуатації електроінструмента за умов підвищеної вологості, використовуйте автомат захисту від струму витоку.** Використання автомата захисту від струму витоку зменшує ризик ураження електричним струмом.

Безпека персоналу

- ▶ **Будьте уважними, зосередьтеся на виконуваній операції, до роботи з електроінструментом ставтеся серйозно. Не користуйтеся електроінструментом, якщо Ви втомені або перебуваєте під дією наркотичних речовин, алкоголю або лікарських засобів.** Під час роботи з електроінструментом не відволікайтеся ні на мить, оскільки це може призвести до отримання серйозних травм.
- ▶ **Використовуйте засоби індивідуального захисту і завжди надягайте захисні окуляри.** Використання засобів індивідуального захисту, наприклад респіратору, захисного взуття на нековзній підшві, захисного шолома або шумозахисних навушників – залежно від різновиду електроінструмента та особливостей його застосування – зменшує ризик травмування.
- ▶ **Уникайте випадкового вмикання електроінструмента. Переконайтеся в тому, що електроінструмент вимкнений, перш ніж вставляти штепсельну вилку в розетку живлення та/або приєднувати акумулятор, піднімати електроінструмент або переносити його.** Якщо під час перенесення електроінструмента тримати палець на вмикачі або приєднувати інструмент до джерела живлення увімкненим, це може призвести до нещасного випадку.
- ▶ **Перш ніж вмикати електроінструмент, від'єднайте від нього все налагоджувальне приладдя або гайкові ключі.** Приладдя або ключ, що знаходяться в обертовому вузлі інструмента, можуть стати причиною отримання травм.
- ▶ **Уникайте виконання роботи в незручній позі. Під час виконання робіт ставайте в стійку позу і намагайтеся повсякчас утримувати рівновагу.** Це дозволить Вам більш упевнено контролювати електроінструмент у разі виникнення несподіваних обставин.
- ▶ **Надягайте відповідний робочий одяг. Не надягайте для роботи занадто просторий одяг та прикраси.** Слідкуйте за тим, щоб волосся, одяг та робочі рукавиці знаходилися подалі



від обертових частин інструмента. Просторий одяг, прикраси або довге волосся можуть бути захоплені рухомими частинами інструмента.

- ▶ Якщо передбачена можливість установа системи пиловидалення та пилозбірників, обов'язково переконайтеся в тому, що вони правильно приєднані й використовуються належним чином. Застосування системи видалення пилу дозволяє зменшити негативний вплив пилу на персонал.
- ▶ Не можна нехтувати правилами безпеки під час роботи з електроінструментами навіть у тому випадку, коли Ви добре знайомі з тим чи іншим електроінструментом. Якщо користуватися інструментом необережно, лише малої частки секунди може бути достатньо для отримання тяжких травм.

Використання електроінструмента та належний догляд за ним

- ▶ Не допускайте перенавантаження інструмента. Завжди використовуйте електроінструмент, призначений для виконання відповідної роботи. При використанні належного електроінструмента забезпечуються більш висока якість та безпека виконання робіт у вказаному діапазоні продуктивності.
- ▶ Не використовуйте електроінструмент із пошкодженим вимикачем. Електроінструмент, який неможливо вмикати або вимикати, є небезпечним і підлягає ремонту.
- ▶ Перш ніж розпочинати налаштування інструмента, виконувати заміну приладдя або робити перерву в роботі, не забудьте вийняти штепсельну вилку з розетки та/або вийняти з інструмента змінну акумуляторну батарею. Такий запобіжний захід допоможе уникнути випадкового вмикання електроінструмента.
- ▶ Електроінструменти, що не використовуються, зберігайте в недоступному для дітей місці. Не дозволяйте користуватися інструментом особам, які не ознайомлені з ним або не прочитали ці вказівки. У руках недосвідчених людей електроінструменти являють собою серйозну небезпеку.
- ▶ Електроінструменти та їх приладдя потребують дбайливого догляду. Ретельно перевіряйте, чи бездоганно працюють та чи не заклинюють рухомі частини, чи не зламалися або не зазнали інших пошкоджень деталі, від яких залежить справна робота електроінструмента. Перед початком роботи з інструментом пошкоджені деталі слід відремонтувати. Багатьох нещасних випадків можна уникнути за умови належного технічного обслуговування електроінструментів.
- ▶ Слідкуйте за тим, щоб ріжучі інструменти завжди залишалися чистими та належним чином заточеними. Дбайливо доглянутий ріжучий інструмент із гострими різальними кромками не так часто заклинюється, і з ним легше працювати.
- ▶ Під час експлуатації електроінструмента, приладдя до нього, робочих інструментів тощо дотримуйтеся наведених у цьому документі вказівок. При цьому завжди враховуйте умови в місці виконання робіт та дії, яких вимагає поставлене завдання. Використання електроінструментів не за призначенням може призвести до виникнення небезпечних ситуацій.
- ▶ Слідкуйте за тим, щоб поверхні рукояток були чистими та сухими, та не допускайте їхнього забруднення мастилом. Якщо поверхні рукояток слизькі, це унеможливіє впевнене контролювання електроінструмента у непередбачених ситуаціях.

Використання акумуляторного інструмента та належний догляд за ним

- ▶ Для заряджання акумуляторних батарей застосовуйте лише зарядні пристрої, рекомендовані виробником. Зарядний пристрій, придатний для заряджання акумуляторних батарей певного типу, може спричинити пожежу, якщо його застосовувати для заряджання акумуляторних батарей інших типів.
- ▶ Для живлення електроінструментів застосовуйте лише спеціально призначені для цього акумуляторні батареї. Застосування інших акумуляторних батарей може призвести до отримання травм і виникнення пожежі.
- ▶ Акумуляторну батарею, яка не використовується, тримайте подалі від канцелярських скріпок, монет, ключів, цвяхів, гвинтів та інших дрібних металевих предметів, які могли б спричинити коротке замикання її контактів. Коротке замикання контактів акумуляторної батареї може призвести до отримання опіків або до виникнення пожежі.
- ▶ У разі неправильного застосування з акумуляторної батареї може пролитися рідина. Уникайте контакту з нею. У разі випадкового контакту цієї рідини зі шкірою негайно промийте уражене місце достатньою кількістю води. Якщо рідина потрапила в очі, рекомендується додатково звернутися по лікарську допомогу. Пролита з акумуляторної батареї рідина може призвести до подразнення шкіри або отримання опіків.
- ▶ Не використовуйте акумуляторну батарею, якщо вона пошкоджена або якщо її конструкція була змінена. Пошкоджені або модифіковані акумуляторні батареї вкрай ненадійні та становлять небезпеку пожежі, вибуху або травмування.



- ▶ **Не піддавайте акумуляторну батарею впливу вогню або високих температур.** Вогонь або температури понад 130 °C (265 °F) можуть спричинити вибух.
- ▶ **Дотримуйтеся вказівок щодо заряджання.** Ніколи не заряджайте акумуляторну батарею або акумуляторний інструмент в умовах, що виходять за межі температурного діапазону, зазначеного в інструкції з експлуатації. Неналежне заряджання або заряджання за межами зазначеного температурного діапазону може призвести до руйнування акумуляторної батареї та підвищує ризик займання.

Сервісне обслуговування

- ▶ **Доручайте ремонт електроінструмента лише кваліфікованому персоналу зі спеціального підготовкою за умови використання тільки оригінальних запасних частин.** Це забезпечить функціональність інструмента.
- ▶ **Забороняється здійснювати технічне обслуговування пошкоджених акумуляторних батарей.** У будь-яких випадках технічне обслуговування акумуляторних батарей повинен здійснювати виробник або уповноважена служба технічного обслуговування.

2.2 Вказівки з техніки безпеки стосовно роботи з перфоратором

Указівки з техніки безпеки для виконання усіх типів робіт

- ▶ **Використовуйте захисні навушники.** Тривалий вплив шуму може призвести до втрати слуху.
- ▶ **Використовуйте додаткові рукоятки, що входять до комплекту постачання інструмента.** Адже втрата контролю над інструментом може стати причиною травмування.
- ▶ **Якщо під час виконання робіт змінний робочий інструмент може натрапити на приховану електропроводку, утримуйте інструмент за ізольовані поверхні рукояток.** У разі контакту з електричним дротом, який знаходиться під напругою, металеві деталі інструмента також потраплять під напругу, а це може призвести до ураження електричним струмом.

2.3 Додаткові вказівки з техніки безпеки під час роботи з відбійним молотком

Безпека персоналу

- ▶ Користуйтеся лише повністю справним інструментом та приладдям.
- ▶ Вносити будь-які зміни до конструкції інструмента або приладдя заборонено.
- ▶ За можливості використовуйте транспортний візок або інші транспортні засоби. Якщо транспортний візок або інші транспортні засоби відсутні, то для переміщення інструмента слід завжди залучати двох осіб. Пам'ятайте, що інструмент і транспортний візок є дуже важким вантажем.
- ▶ Перед довбанням отворів у стелі, стінах і підлозі забезпечте собі надійну та міцну опору. Внаслідок раптового ривка інструмента Ви можете втратити рівновагу!
- ▶ Під час наскрізної обробки укріпіть відповідну ділянку поверхні з протилежного боку. Осколки можуть розлітатися у різні боки та/або вниз і травмувати інших людей.
- ▶ Оператор та інші особи, які знаходяться поблизу місця проведення робіт, повинні під час застосування інструмента використовувати відповідні захисні окуляри, каску, захисні навушники та легкий респіратор.
- ▶ Пил, який утворюється під час шліфування, обробки наждачним папером, різання та свердління певних матеріалів, може містити небезпечні хімічні речовини. Деякі приклади таких матеріалів: свинець або фарби на основі свинцю; цегла, бетон та інші матеріали, що використовуються для споруджування стін, зокрема природний камінь та інші речовини, які містять силікати; певні види деревини, зокрема дуб або бук, а також деревина, яка пройшла хімічну обробку; азбест або матеріали, що містять азбест. Визначайте рівень впливу пилу на оператора та осіб, які знаходяться поблизу, приймаючи до уваги клас безпеки оброблюваних матеріалів. Вживайте потрібних заходів, щоб утримувати вплив пилу на мінімально можливому рівні, зокрема використовуйте систему видалення пилу або відповідний респіратор. До загальних заходів, спрямованих на зменшення впливу пилу, належать такі:
 - ▶ виконання робіт на добре провітряній ділянці;
 - ▶ уникнення тривалого контакту з пилом;
 - ▶ недопущення контакту пилу з обличчям та тілом;
 - ▶ використання захисного одягу, а також миття засмічених ділянок водою з милом.
- ▶ Під час заміни робочого інструмента користуйтеся захисними рукавицями. Контакт зі змінним робочим інструментом може призвести до отримання порізів або опіків.
- ▶ Небезпека травмування в результаті падіння інструментів та/або приладдя. Перш ніж розпочинати роботу, перевірте, чи надійно закріплене приладдя й акумуляторна батарея.
- ▶ Не допускайте засмічення вентиляційних прорізів. Перекривання вентиляційних прорізів створює небезпеку отримання опіків!



- ▶ Використовуйте захисні окуляри. Уламки матеріалу можуть завдати поранень або пошкодити очі.
- ▶ Часто робіть перерви у роботі та виконуйте вправи на розминання пальців, щоб покращити кровообіг у них. Під час довготривалих робіт високочастотна вібрація може пошкодити судини або нерви у пальцях, руках або зап'ясткових суглобах.
- ▶ Подбайте про те, щоб інструмент завжди перебував у стійкому положенні. Завжди установлюйте інструмент на рівну стійку поверхню, де він не буде піддаватися впливу вібрацій та поштовхів.

Електрична безпека

- ▶ Перед початком роботи перевіряйте робоче місце на наявність прихованих електричних кабелів, газових та водопровідних труб. Якщо під час роботи будуть випадково пошкоджені електричні кабелі, газовий або водяний трубопровід, то їхній контакт із відкритими металевими деталями інструмента може спричинити ураження електричним струмом або вибух.

Належне використання електроінструментів та дбайливий догляд за ними

- ▶ Зачекайте, доки змінний робочий інструмент повністю зупиниться, перш ніж знімати його з оброблюваного об'єкту.
- ▶ Умикайте інструмент лише після того, як Ви встановили його у робоче положення.

2.4 Застосування акумуляторних батарей та дбайливий догляд за ними

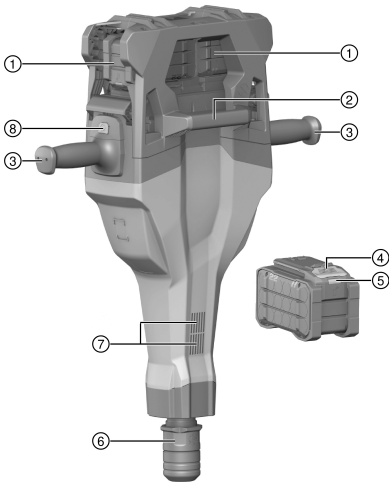
- ▶ **Дотримуйтеся наведених нижче вказівок з техніки безпеки, щоб гарантувати безпечно транспортування та використання літій-іонних акумуляторних батарей.** Невиконання цих вказівок може призвести до подразнення шкіри, серйозних травм внаслідок контакту з корозійними речовинами, а також до хімічних опіків, пожежі та/або вибуху.
- ▶ Користуйтеся лише повністю справними акумуляторними батареями.
- ▶ Обережно поводьтеся з акумуляторними батареями, щоб уникнути їхнього пошкодження або витоків рідин, які є дуже небезпечними для здоров'я!
- ▶ Забороняється вносити зміни до конструкції акумуляторних батарей або модифікувати їх!
- ▶ Акумуляторні батареї забороняється розбирати, роздавати, нагрівати до температури понад 80 °C (176 °F) або спалювати.
- ▶ Не використовуйте та не заряджайте акумуляторні батареї, які зазнали впливу ударного навантаження або були пошкоджені іншим чином. Регулярно перевіряйте акумуляторні батареї на наявність пошкоджень.
- ▶ Ніколи не використовуйте акумуляторні батареї із вторинних матеріалів або відремонтовані акумуляторні батареї.
- ▶ Не застосовуйте акумуляторну батарею або акумуляторний електроінструмент у якості ударного інструмента.
- ▶ Ніколи не піддавайте акумуляторні батареї впливу прямих сонячних променів, високих температур, іскор або відкритого вогню. Невиконання цієї вимоги може призвести до вибуху.
- ▶ Не торкайтеся полюсів елементів живлення пальцями, робочими інструментами, прикрасами, а також іншими предметами зі струмопровідних матеріалів. Невиконання цієї вимоги може привести до пошкодження акумуляторної батареї, матеріальних збитків і травм.
- ▶ Захищайте акумуляторні батареї від впливу дощу, вологі та рідин. Якщо всередину акумуляторної батареї потрапить волога, це може спричинити коротке замикання, ураження електричним струмом, опіки, пожежу або вибух.
- ▶ Використовуйте акумуляторну батарею тільки з тими електроінструментами та зарядними пристроями, для яких вона призначена. При цьому також дотримуйтеся вказівок, наведених в інструкціях з експлуатації відповідних виробів.
- ▶ Не використовуйте та не зберігайте акумуляторні батареї у вибухонебезпечному середовищі.
- ▶ Якщо акумуляторна батарея гаряча на дотик, вона може бути пошкоджена. Залиште акумуляторну батарею у захищеному від вогню місці на достатній відстані від горючих матеріалів, де за нею можна спостерігати. Зачекайте, доки акумуляторна батарея не охолоне. Якщо через годину акумуляторна батарея все ще залишається гарячою на дотик, це свідчить про її несправність. Зверніться до сервісної служби компанії **Hilti** або ознайомтеся з указівками щодо техніки безпеки та належної експлуатації літій-іонних акумуляторних батарей **Hilti**.



Дотримуйтеся спеціальних указівок щодо транспортування, зберігання та використання літій-іонних акумуляторних батарей. → стор. 134

Ознайомтеся з указівками щодо техніки безпеки та належної експлуатації літій-іонних акумуляторних батарей **Hilti**: для цього відскануйте QR-код, наведений наприкінці цієї інструкції з експлуатації.



3.1 **Огляд продукту 1**


- ① Акумуляторні батареї
- ② Рукоятка для перенесення
- ③ Рукоятки
- ④ Деблокувальна кнопка акумуляторної батареї
- ⑤ Індикатор статусу акумуляторної батареї
- ⑥ Затискний патрон
- ⑦ Вентиляційні прорізи
- ⑧ Вимикач

3.2 **Огляд транспортного візка та валізи B22/C (XL) (опція) 2**

- | | |
|--|--|
| <ul style="list-style-type: none"> ① Ручка ② Замок для закріплення вантажу ③ Скоба-фіксатор ④ Фіксатор для валізи B22/C (XL) для зберігання акумуляторних батарей ⑤ Тримач для видаткового матеріалу (зубила) | <ul style="list-style-type: none"> ⑥ Ходові коліщата ⑦ Стопор коліщата (шайба, шплінт) ⑧ Оправка для насаджування інструмента ⑨ Рукоятка для перенесення ⑩ Акумуляторна батарея ⑪ Зарядний пристрій ⑫ Валіза B22/C (XL) |
|--|--|

3.3 **Використання за призначенням**

Описаний у цій інструкції інструмент являє собою акумуляторний відбійний молоток. Він призначений для довбальних робіт на бетоні, цегляній кладці та асфальті. Інструмент також може використовуватися для трамбування та риття.

Під час застосування інструмент дозволяється спрямовувати тільки до підлоги.

- Використовуйте із цим інструментом лише літій-іонні акумуляторні батареї **Hilti** Nuron типу B 22. Щоб забезпечити оптимальну потужність інструмента, компанія **Hilti** рекомендує використовувати з ним акумуляторні батареї, зазначені у таблиці наприкінці цієї інструкції з експлуатації.
- Для заряджання цих акумуляторних батарей використовуйте зарядні пристрої **Hilti** лише тих типів, які зазначені у таблиці наприкінці цієї інструкції з експлуатації.

3.4 **Неналежне використання**

- Забороняється застосовувати інструмент у вологому середовищі.
- Не використовуйте інструмент у пожежонебезпечних і вибухонебезпечних місцях.
- Забороняється застосовувати інструмент для обробки шкідливих для здоров'я речовин, наприклад азбесту.
- Для транспортування інструмента забороняється використовувати кран.
- Працювати на драбині заборонено.
- Інструмент забороняється використовувати у горизонтальному положенні для обробки стін.



- Не застосовуйте страхувальний строп для інструментів.

3.5 Active Vibration Reduction

Інструмент оснащений системою Active Vibration Reduction (AVR), яка значно знижує рівень вібрації.

3.6 Комплект постачання

Акумуляторний відбійний молоток, інструкція з експлуатації, мастило

Транспортний візок і валіза для акумуляторних батарей та зарядних пристроїв пропонуються як приладдя.

Інше приладдя, допущене до експлуатації з Вашим інструментом, Ви можете придбати у **Hilti Store** або на веб-сайті **www.hilti.group**

3.7 Варіанти індикації літій-іонної акумуляторної батареї

Літій-іонні акумуляторні батареї **Hilti Nuron** оснащені індикаторами, які можуть відображати стан заряду, повідомлення про несправності, а також позначати стан акумуляторної батареї.

3.7.1 Індикація стану заряду та повідомлень про несправність

ПОПЕРЕДЖЕННЯ

Ризик отримання травм через падіння акумуляторної батареї!

- ▶ Якщо Ви натиснули на деблокувальну кнопку, коли акумуляторна батарея встановлена в інструмент, будь ласка, переконайтеся, що вона належним чином зафіксована.

Щоб відобразити одну з наведених нижче індикацій, короткочасно натисніть деблокувальну кнопку акумуляторної батареї.

Після приєднання інструмента індикатор постійно показуватиме стан заряду акумуляторної батареї, а також можливі несправності.

Стан	Значення
Чотири (4) світлодіоди постійно горять зеленим кольором	Стан заряду: від 100 % до 71 %
Три (3) світлодіоди постійно горять зеленим кольором	Стан заряду: від 70 % до 51 %
Два (2) світлодіоди постійно горять зеленим кольором	Стан заряду: від 50 % до 26 %
Один (1) світлодіод постійно горить зеленим кольором	Стан заряду: від 25 % до 10 %
Один (1) світлодіод повільно мигає зеленим кольором	Стан заряду: < 10 %
Один (1) світлодіод швидко мигає зеленим кольором	Літій-іонна акумуляторна батарея повністю розряджена. Зарядіть акумуляторну батарею. Якщо після заряджання акумуляторної батареї світлодіод продовжує швидко мигати, будь ласка, зверніться до сервісної служби компанії Hilti .
Один (1) світлодіод швидко мигає жовтим кольором	Літій-іонна акумуляторна батарея або приєднаний до неї інструмент перенавантажені, занадто гарячі або занадто холодні або виникла інша помилка. Зачекайте, доки інструмент і акумуляторна батарея не нагріються або не охолонуть до належної робочої температури, та надалі уникайте перенавантаження інструмента під час використання. Якщо індикація не зникає, будь ласка, зверніться до сервісної служби компанії Hilti .
Один (1) світлодіод горить жовтим кольором	Літій-іонна акумуляторна батарея та відповідний інструмент несумісні. Будь ласка, зверніться до сервісної служби компанії Hilti .



Стан	Значення
Один (1) світлодіод швидко мигає червоним кольором	Літій-іонна акумуляторна батарея заблокована та більше не може використовуватися. Будь ласка, зверніться до сервісної служби компанії Hilti .

3.7.2 Індикація стану акумуляторної батареї

Щоб відобразити індикацію стану акумуляторної батареї, натисніть і утримуйте деблокувальну кнопку протягом більше трьох секунд. Система не встановила жодних потенційних несправностей елемента живлення, обумовлених його неналежним використанням, наприклад падінням, проколюванням, пошкодженням внаслідок впливу високих температур тощо.

Стан	Значення
Усі світлодіоди послідовно загоряються, після чого один (1) світлодіод починає постійно горіти зеленим кольором.	Експлуатацію акумуляторної батареї можна продовжувати.
Усі світлодіоди послідовно загоряються, після чого один (1) світлодіод починає швидко мигати жовтим кольором.	Не вдалося завершити перевірку стану акумуляторної батареї. Повторіть операцію або зверніться до сервісної служби компанії Hilti .
Усі світлодіоди послідовно загоряються, після чого один (1) світлодіод починає постійно горіти червоним кольором.	Якщо використання приєданого інструмента можна продовжувати, це означає, що залишкова ємність акумуляторної батареї становить менше 50 %. Якщо використання приєданого інструмента вже не можна продовжувати, це означає, що строк служби акумуляторної батареї закінчився та її потрібно замінити. Будь ласка, зверніться до сервісної служби компанії Hilti .

4 Акумуляторний відбійний молоток

	TE 2000-22
Маса відповідно до EPTA Procedure 01 без акумуляторної батареї	17,4 кг
Енергія поодинокого удару (EPTA-Procedure 05)	38,2 Дж
Температура навколишнього середовища під час роботи	-17 °C ... 60 °C
Температура зберігання	-20 °C ... 70 °C

4.1 Акумуляторна батарея

Робоча напруга акумуляторної батареї	21,6 В
Маса акумуляторної батареї	Інформація наведена наприкінці цієї інструкції з експлуатації
Температура навколишнього середовища під час роботи	-17 °C ... 60 °C
Температура зберігання	-20 °C ... 40 °C
Температура акумуляторної батареї на початку процесу заряджання	-10 °C ... 45 °C

4.2 Дані про шум та значення вібрації, виміряні згідно зі стандартом EN 62841

Наведені у цих рекомендаціях значення звукового тиску та вібрації були виміряні згідно з установленою процедурою вимірювання та можуть використовуватися для порівняння електроінструментів. Вони також придатні для попереднього оцінювання шумового та вібраційного навантаження.

Наведені дані обумовлюють переважні сфери застосування електроінструмента. Однак якщо Ви використовуєте його не за призначенням, застосовуєте нестандартне приладдя або неналежним чином здійснюєте догляд за інструментом, ці дані можуть відрізнитися від вказаних значень. Це може призвести до помітного збільшення шумового та вібраційного навантаження протягом усього робочого часу.



Для більш точної оцінки шумового та вібраційного навантаження необхідно враховувати також проміжки часу, протягом яких інструмент залишається вимкненим або працює на холостому ході. Це може значно зменшити вібраційне та шумове навантаження протягом усього робочого часу.

Необхідно також вживати додаткових заходів безпеки з метою захисту працівників від дії шуму та/або вібрації, зокрема: проводити своєчасне технічне обслуговування електроінструмента та змінних робочих інструментів до нього, утримувати руки у теплі, належним чином організувати робочий процес.

Дані про шум

Вимірний рівень шумової потужності (L_{WA})	98 дБ(A)
Похибка для рівня шумової потужності (K_{WA})	3 дБ(A)
Рівень звукового тиску (L_{pA})	87 дБ(A)
Похибка для рівня звукового тиску (K_{pA})	3 дБ(A)

Сумарне значення вібрації

Довбання отворів (a_h , $Choc$)	B 22-170	3,8 м/с ²
	B 22-255	3,8 м/с ²
Похибка (K)		1,5 м/с ²

5 Підготовка до роботи



ПОПЕРЕДЖЕННЯ

Ризик отримання травм внаслідок непередбаченого увімкнення інструмента!

- ▶ Перш ніж установлювати акумуляторні батареї, переконайтеся, що відповідний інструмент вимкнений.
- ▶ Від'єднайте акумуляторні батареї, перш ніж задавати налаштування інструмента або замінити елементи приладдя.

Дотримуйтеся попереджувальних вказівок та вказівок з техніки безпеки, наведених у цьому документі та на корпусі інструмента.

5.1 Зарядження акумуляторних батарей

1. Перед зарядженням акумуляторної батареї прочитайте інструкцію з експлуатації зарядного пристрою.
2. Контакти акумуляторної батареї та зарядного пристрою повинні бути чистими та сухими.
3. Заряджайте акумуляторну батарею тільки за допомогою тих зарядних пристроїв, які допущені до застосування з нею. → стор. 128

5.2 Установлення акумуляторних батарей



ПОПЕРЕДЖЕННЯ

Ризик отримання травм внаслідок короткого замикання або падіння акумуляторної батареї!

- ▶ Перш ніж установлювати акумуляторні батареї, переконайтеся, що на контактах батарей та інструмента немає сторонніх предметів.
- ▶ Завжди перевіряйте, чи належним чином зафіксовані акумуляторні батареї.

1. Повністю заряджайте акумуляторні батареї перед першим використанням.
2. Уставте акумуляторні батареї в інструмент, щоб вони зафіксувалися із чітким характерним звуком.
3. Переконайтеся, що акумуляторні батареї надійно зафіксовані в інструменті.

5.3 Виймання акумуляторної батареї

1. Натисніть на деблокувальну кнопку акумуляторної батареї.
2. Дістаньте акумуляторну батарею з інструмента.

6 Експлуатація

Дотримуйтеся попереджувальних вказівок та вказівок з техніки безпеки, наведених у цьому документі та на корпусі інструмента.



6.1 Установлення змінного робочого інструмента

1. Нанесіть мастило тонким шаром на хвостовик змінного робочого інструмента.



Використання невідповідного консистентного мастила може спричинити несправність виробу. Використовуйте лише оригінальне мастило виробництва компанії Hilti.

2. Уставте змінний робочий інструмент у затискний патрон та, злегка натиснувши на нього, прокрутіть його, щоб він зафіксувався із чітким характерним звуком.
3. Потягніть змінний робочий інструмент до себе, щоб упевнитися в тому, що він надійно зафіксований у патроні.

6.2 Виймання змінного робочого інструмента

ОБЕРЕЖНО

Ризик отримання травм! Змінний робочий інструмент може бути гарячим та/або його кромки – гострими.

- ▶ Під час заміни робочого інструмента використовуйте захисні рукавиці.
- ▶ Ніколи не кладіть гарячий змінний робочий інструмент на легкозаймисті матеріали.

1. Відведіть фіксатор змінного робочого інструмента назад до упору.
2. Вийміть змінний робочий інструмент.

6.3 Експлуатація

Дотримуйтеся попереджувальних вказівок та вказівок з техніки безпеки, наведених у цьому документі та на корпусі інструмента.

На виконання всіх робіт обов'язково отримайте дозвіл будівельного управління!

6.3.1 Довбання отворів

1. Установіть зубило в потрібне положення.
2. Натисніть на вимикач.



Робота за низьких температур:

Для функціонування ударного механізму інструмента потрібна певна мінімальна робоча температура. Щоб прогріти інструмент до такої температури, покладіть його на робочу поверхню і дайте йому попрацювати на холостому ходу протягом деякого часу. У разі необхідності повторюйте вищезазначене, аж поки ударний механізм не почне працювати.

6.3.2 Вимикання інструмента

- ▶ Натисніть на вимикач.

6.3.3 Указівки щодо роботи



Зубило може бути виставлене в 6 різних позиціях (через кожні 60°). Це надає можливість працювати плоскими та фасонними зубилами в оптимальному для кожного їх різновиду робочому положенні.

- ▶ Розташуйте зубило на відстані приблизно 80–100 мм (3 $\frac{1}{8}$ "–4") від кромки оброблюваної поверхні.
- ▶ Якщо Ви обробляєте залізобетон, завжди направляйте зубило в бік кромки плити, а не в бік арматурних стрижнів.
- ▶ Довбати починайте під кутом 90° до поверхні бетону, направляючи лезо зубила у бік кромки плити. Після цього зменшуйте кут нахилу зубила до 70–80° і відламуєте матеріал.
- ▶ Регулярно повертайте зубило, оскільки рівномірне зношування сприяє його самозаточуванню.
- ▶ Якщо сила притискання недостатня, зубило відскакуватиме від оброблюваної поверхні. У разі надмірної сили притискання зменшуватиметься потужність довбання.



7 Транспортний візок і валіза B22/C (XL)

7.1 Транспортування

Транспортний візок дозволяє безпечно перевозити відбійний молоток.

Валіза B22/C (XL) гарантує безпечне транспортування зарядних пристроїв та акумуляторних батарей.

- Подбайте про те, щоб транспортний візок був у стійкому положенні.
- Установіть інструмент на передбачену для цього оправку і закріпіть його на час перевезення скобою-фіксатором.
- Установіть валізу B22/C (XL) на транспортний візок та закріпіть її за допомогою фіксатора.
- Подбайте про безпечні маршрути для транспортування.
- Не залишайте транспортний візок на похилій площині.
- Для переміщення транспортного візка та валізи B22/C (XL) забороняється використовувати кран.
- Уставте зубила у передбачені для них тримачі, поки вони не зафіксуються.
- Подбайте про безпечні маршрути для транспортування.
- Не залишайте транспортний візок на похилій площині.
- Для переміщення транспортного візка та валізи B22/C (XL) забороняється використовувати кран.

8 Догляд і технічне обслуговування

ПОПЕРЕДЖЕННЯ

Якщо не від'єднати акумуляторні батареї, існує небезпека травмування!

- ▶ Завжди діставайте з інструмента акумуляторні батареї, перш ніж розпочинати будь-які роботи з догляду та технічного обслуговування!

Догляд за виробом

- Обережно видаляйте накопичення бруду.
- Якщо конструкція передбачає вентиляційні прорізи, обережно прочищайте їх сухою щіткою.
- Протирайте корпус вологою тканиною. Забороняється використовувати миючі засоби, що містять силікон, оскільки вони можуть пошкодити пластмасові деталі.

Догляд за літій-іонними акумуляторними батареями

- Ніколи не використовуйте елементи живлення із заблокованими вентиляційними прорізами. Обережно прочищайте вентиляційні прорізи м'якою сухою щіткою.
- Уникайте зайвого контакту акумуляторної батареї з пилом або брудом. Ніколи не піддавайте акумуляторну батарею впливу високої вологості (зокрема, не занурюйте її у воду та не залишайте під дощем).

Якщо рідина потрапила всередину акумуляторної батареї, з нею слід поводитися як із пошкодженою акумуляторною батареєю. Ізолюйте акумуляторну батарею у контейнері з незаймистого матеріалу та зверніться до сервісної служби компанії **Hilti**.

- Не допускайте забруднення акумуляторної батареї мастильними матеріалами. Слідкуйте за тим, щоб на акумуляторній батареї не накопичувалась занадто велика кількість пилу або бруду. Видаляйте забруднення з акумуляторної батареї м'якою сухою щіткою або чистою сухою тканиною. Не використовуйте миючі засоби, що містять силікон, оскільки вони можуть пошкодити пластмасові деталі.
- Протирайте корпус вологою тканиною. Забороняється використовувати миючі засоби, що містять силікон, оскільки вони можуть пошкодити пластмасові деталі.

Технічне обслуговування

- Регулярно перевіряйте усі зовнішні частини на наявність пошкоджень, а органи керування інструмента – на предмет справної роботи.
- Якщо Ви виявили пошкодження та/або порушення функціональності інструмента, припиніть його використання. негайно зверніться до сервісної служби компанії **Hilti** для здійснення ремонту.
- Після проведення догляду і технічного обслуговування встановіть усі захисні пристрої та перевірте їхню роботу.





Щоб гарантувати належну роботу інструмента, використовуйте тільки оригінальні запасні частини та видаткові матеріали. Рекомендовані запасні частини, видаткові матеріали та приладдя для Вашого інструмента Ви можете придбати у найближчому магазині **Hilti Store** або на веб-сайті www.hilti.group.

9 Транспортування та зберігання акумуляторних інструментів та акумуляторних батарей

Транспортування

ОБЕРЕЖНО

Непередбачене увімкнення інструмента під час транспортування !

- ▶ На час транспортування завжди діставайте з інструмента акумуляторну батарею!
- ▶ Діставайте акумуляторну(-і) батарею(-і).
- ▶ Ніколи не перевозьте акумуляторні батареї у незапакованому вигляді. Під час перевезення акумуляторні батареї повинні бути захищені від сильних поштовхів та вібрацій, а також ізольовані від будь-яких струмопровідних матеріалів та від інших акумуляторних батарей. Це дозволить уникнути короткого замикання, яке може статися через контакт полюсів різних акумуляторних батарей. **Дотримуйтеся місцевих правил, які регламентують порядок перевезення акумуляторних батарей.**
- ▶ Забороняється пересилати акумуляторні батареї поштою. Для пересилання непошкоджених акумуляторних батарей зверніться до кур'єрської служби.
- ▶ Перед кожним використанням, а також перед тривалим транспортуванням і після його завершення перевіряйте інструмент та акумуляторні батареї на наявність пошкоджень.

Зберігання

ПОПЕРЕДЖЕННЯ

Непередбачене пошкодження інструмента через несправність акумуляторної батареї або через виток електроліту з акумуляторної батареї !

- ▶ На час зберігання завжди діставайте з інструмента акумуляторну батарею!
- ▶ Зберігайте інструмент та акумуляторні батареї у сухому прохолодному місці. Дотримуйтеся діапазону температур, зазначеного у технічних даних інструмента.
- ▶ Не зберігайте акумуляторні батареї на зарядному пристрої. Після закінчення процесу заряджання завжди від'єднуйте акумуляторну батарею від зарядного пристрою.
- ▶ Не зберігайте акумуляторні батареї на сонці, біля джерел тепла або на підвіконні.
- ▶ Зберігайте інструмент та акумуляторні батареї у сухому місці, недоступному для дітей та сторонніх осіб.
- ▶ Перед кожним використанням, а також перед тривалим зберіганням і після його завершення перевіряйте інструмент та акумуляторні батареї на наявність пошкоджень.

10 Допомога у разі виникнення несправностей

У разі виникнення будь-яких несправностей звертайте увагу на індикатор стану заряду та несправності акумуляторної батареї. Додаткова інформація наведена у розділі «**Варіанти індикації літій-іонної акумуляторної батареї**».

У разі виникнення несправностей, які не зазначені у цій таблиці або які Ви не можете полагодити самостійно, зверніться до сервісної служби компанії **Hilti**.

Несправність	Можлива причина	Рішення
Акумуляторна батарея не зафіксується із чітко відчутним клацанням.	Засмічений фіксуючий виступ акумуляторної батареї або роз'єм інструмента.	▶ Прочистьте фіксуючі виступи та вставте акумуляторні батареї знову.
Акумуляторна батарея розряджається швидше, ніж звичайно.	Стан заряду акумуляторної батареї не є оптимальним.	▶ Перевірте індикацію стану заряду акумуляторної батареї. → стор. 129
Інструмент не вмикається.	Уставлена лише одна заряджена акумуляторна батарея.	▶ Уставте другу заряджену акумуляторну батарею.



Несправність	Можлива причина	Рішення
Відсутній удар.	Інструмент занадто холодний.	► Установіть інструмент на робочу поверхню та дайте йому попрацювати на холостому ходу. За необхідності повторіть операцію, доки ударний механізм не почне працювати.
Інструмент або акумуляторна батарея сильно перегріваються.	Електрична несправність.	► негайно вимкніть інструмент. Дістаньте акумуляторні батареї та поспостерігайте за ними. Зачекайте, доки вони не охолонуть. Зверніться до сервісної служби компанії Hilti .
Інструмент вимикається під час роботи, або його не вдається увімкнути	Інструмент або акумуляторні батареї занадто гарячі, або акумуляторні батареї занадто холодні.	► Вимкніть інструмент та зачекайте, доки інструмент або акумуляторні батареї не охолонуть. ► Акумуляторні батареї занадто холодні. Зачекайте, доки температура акумуляторних батарей не досягне рекомендованого для експлуатації значення.

11 Утилізація

ПОПЕРЕДЖЕННЯ

Ризик отримання травм внаслідок неналежної утилізації! Небезпека для здоров'я внаслідок контакту з газами або рідинами, що виходять з акумуляторної батареї.

- Пошкоджені акумуляторні батареї забороняється пересилати поштою або кур'єрською службою!
- Закрийте контакти акумуляторних батарей електронепровідним матеріалом, щоб запобігти короткому замиканню.
- Утилізуйте акумуляторні батареї таким чином, щоб вони не потрапили до рук дітей.
- Щоб утилізувати акумуляторну батарею, передайте її до найближчого магазину **Hilti Store** або зверніться до представника відповідної компанії з утилізації відходів.

Більшість матеріалів, з яких виготовлено інструменти компанії **Hilti**, придатні для вторинної переробки. Передумовою для їхньої вторинної переробки є належне сортування відходів за типом матеріалу. У багатьох країнах світу компанія **Hilti** приймає старі інструменти для їхньої утилізації. Щоб отримати додаткову інформацію, звертайтеся до сервісної служби компанії **Hilti** або до свого торгового консультанта.



- Не викидайте електроінструменти, електронні пристрої та акумуляторні батареї у баки для побутового сміття!

12 Гарантійні зобов'язання виробника

- Із питань гарантії, будь ласка, звертайтеся до Вашого місцевого партнера компанії **Hilti**.

13 Додаткова інформація

Щоб ознайомитися із додатковою інформацією про застосування й технічне обслуговування інструмента, його вплив на навколишнє середовище, а також про його утилізацію, будь ласка, скористайтеся цим посиланням: qr.hilti.com/manual/?id=2301751&id=2301753

Це посилання також наведене наприкінці документа у вигляді QR-коду.



Түпнұсқа пайдалану бойынша нұсқаулық**1 Құжаттама бойынша деректер****1.1 Бұл құжаттама туралы****Импорттауыш және өндірушінің өкілетті ұйымы**

- (RU) Ресей Федерациясы
"Хилти Дистрибьюшн ЛТД" АҚ, 141402, Мәскеу облысы, Химки қ., Ленинградская көш., ғим. 25
- (BY) Беларусь Республикасы
222750, Минск облысы, Дзержинский ауданы, Р-1, 18-ші км, 2 (Слободка ауылының жанында), 1-34 бөлімі
- (KZ) Қазақстан Республикасы
Қазақстан Республикасы, индекс 050011, Алматы қ., Пугачев көш., 4-үй
- (KG) Қырғыз Республикасы
"Т AND Т" ЖШҚ, 720021, Қырғызстан, Бішкек қ., Ибраимов көш., 29 А үйі
- (AM) Армения Республикасы
Эйч-Кон ЖШҚ, Армения Республикасы, Ереван қ., Бабаян көш., 10/1 үйі

Өндірілген елі: жабдықтағы белгілеу тақтайшасын қараңыз.

Өндірілген күні: жабдықтағы белгілеу тақтайшасын қараңыз.

Тиісті сертификатты мына мекенжай бойынша табуға болады: www.hilti.ru

Сақтау, тасымалдау және пайдалану шарттарына пайдалану бойынша нұсқаулықта белгіленгеннен басқа арнайы талаптар қойылмайды.

Өнімнің қызмет ету мерзімі 5 жыл.

- Іске қосу алдында осы құжаттаманы оқып шығыңыз. Бұл қауіпсіз жұмыс пен ақаусыз басқару үшін алғышарт болып табылады.
- Осы құжаттамадағы және өнімдегі қауіпсіздік және ескерту нұсқауларын орындаңыз.
- Пайдалану бойынша нұсқаулықты әрдайым өнімде сақтаңыз және оны басқа тұлғаларға тек осы нұсқаулықпен бірге тапсырыңыз.

1.2 Шартты белгілердің анықтамасы**1.2.1 Ескерту**

Ескертулер өнімді қолдану барысындағы қауіптер туралы ескертеді. Төмендегі сигналдық сөздер пайдаланылады:

 ҚАУІПТІ**ҚАУІПТІ !**

- ▶ Ауыр жарақаттарға әкелетін немесе өмірге қауіп төндіретін тікелей қауіпті жағдайдың жалпы белгіленуі.

 ЕСКЕРТУ**ЕСКЕРТУ !**

- ▶ Ауыр жарақаттарға әкелуі немесе өмірге қауіп төндіруі мүмкін ықтимал қауіпті жағдайдың жалпы белгіленуі.

 АБАЙПАҢЫЗ**АБАЙПАҢЫЗ !**

- ▶ Жарақат алуға немесе мүліктің зақымдалуына әкелуі мүмкін ықтимал қауіпті жағдайдың жалпы белгіленуі.

1.2.2 Пайдалану бойынша нұсқаулықтағы белгілер

Бұл пайдалану бойынша нұсқаулықта төмендегі белгілер пайдаланылады:



	Пайдалану бойынша нұсқаулықты ұстану
	Аспапты пайдалану бойынша нұсқаулар және басқа пайдалы ақпарат
	Қайта пайдалануға болатын материалдармен жұмыс істеу
	Электр аспаптарды және аккумуляторларды тұрмыстық қоқысқа тастамаңыз
	Hilti Li-Ion аккумуляторы
	Hilti зарядтағыш құрылғысы

1.2.3 Суреттердегі белгілер

Суреттерде төмендегі белгілер қолданылады:

	Бұл сандар осы пайдалану бойынша нұсқаулықтың басындағы тиісті суретке сәйкес келеді.
3	Нөмірлеу суреттегі жұмыс қадамдарының реттілігін білдіреді және мәтіндегі жұмыс қадамдарынан өзгешеленуі мүмкін.
	Позиция нөмірлері Шолу суретінде қолданылады және Өнімге шолу мақаласындағы шартты белгілердің нөмірлеріне сілтейді.
	Аталмыш белгілер өнімді қолдану барысында айрықша назарыңызды аудартады.

1.3 Өнімге қатысты белгілер

1.3.1 Өнімдегі белгілер

Өнімде төмендегі белгілер пайдаланылуы мүмкін:

	Кранмен тасымалдауға тыйым салынады
	Өнім iOS және Android платформаларымен үйлесімді NFC технологиясын қолдайды.
Li-Ion	Литий-иондық аккумулятор
	Аккумуляторды еш жағдайда соқпа құрал ретінде пайдаланбаңыз.
	Аккумуляторды құлатып жібермеңіз. Соққы тиген немесе басқа жолмен зақымдалған аккумуляторды пайдаланбаңыз.

1.4 Өнім туралы ақпарат

HILTI өнімдері кәсіби пайдаланушыларға арналған және оларды тек қана өкілетті, білікті қызметкерлер пайдалануы, күтім және техникалық қызмет көрсетуі тиіс. Қызметкерлер қауіпсіздік техникасы бойынша арнайы нұсқау алуы керек. Өнім мен оның қосалқы құралдарын басқа мақсатта қолдану немесе олардың оқытылмаған қызметкерлердің тарапынан пайдаланылуы қауіпті.

Түр сипаттамасы мен сериялық нөмір фирмалық тақтайшада берілген.

- Сериялық нөмірді төмендегі кестеге көшіріп қойыңыз. Өнім туралы мәліметтерді өкілдігімізге немесе қызмет көрсету бөлімімізге сұрау беру арқылы алуға болады.

Өнім туралы мәліметтер

Қашайтын балға	TE 2000-22
Буын	01
Сериялық нөмір	



1.5 Сәйкестілік декларациясы

Өндіруші осы нұсқаулықта сипатталған өнімнің қолданыстағы заңнамаға және қолданыстағы стандарттарға сәйкес екендігін толық жауапкершілікпен жариялайды. Сәйкестілік декларациясының суреті осы құжаттамадың соңында орналасқан.

Техникалық құжаттама мына жерде сақталған:

Hilti Entwicklungsgesellschaft mbH | Zulassung Geräte | Hiltistraße 6 | 86916 Kaufering, DE

2 Қауіпсіздік

2.1 Электр құралдары үшін қауіпсіздік техникасы бойынша жалпы нұсқаулар

⚠ ЕСКЕРТУ Бұл электр құралына арналған барлық қауіпсіздік нұсқауларын, нұсқауларды, суреттерді және техникалық деректерді оқып шығыңыз. Төменде берілген нұсқауларды орындамау электр тогының соғуына, өртке әкелуі мүмкін және/немесе ауыр жарақаттарды тудыруы мүмкін.

Қауіпсіздік техникасы бойынша барлық нұсқауларды және нұсқауларды келесі пайдаланушы үшін сақтаңыз.

Қауіпсіздік нұсқауларында қолданылатын «электр құралы» термині электр желісінен (желілік кабельмен) және аккумулятордан (желілік кабельсіз) жұмыс істейтін электр құралын білдіреді.

Жұмыс орны

- ▶ **Жұмыс орнындағы тазалықты және тәртіпті қадағалаңыз.** Жұмыс орнындағы ретсіздік және нашар жарық сәтсіз жағдайларға әкелуі мүмкін.
- ▶ **Жанғыш сұйықтықтар, газдар немесе шаң бар жарылыс қаупі бар аймақта электр құралын қолданбаңыз.** Жұмыс кезінде электр құралдары ұшқындар шығады және ұшқындар шаңды немесе буларды тұтандыруы мүмкін.
- ▶ **Балалардың және бөгде адамдардың жұмыс істеп тұрған электр құралына жақындауына рұқсат етпеңіз.** Жұмысқа көңіл бөлмегенде, электр құралын бақылау жоғалуы мүмкін.

Электр қауіпсіздігі

- ▶ **Электр құралдың байланыс ашасы электр желісінің розеткасына сай болуы керек. Айырдың конструкциясын өзгертпеңіз. Қорғауыш жерге қосуы бар электр құралдарымен бірге өтпелі айырларды қолданбаңыз.** Түпнұсқа айырлар және оларға сай розеткалар электр тогының соғу қаупін азайтады.
- ▶ **Жерге қосылған беттерге, мысалы, құбырларға, жылыту құралдарына, пештерге (плиталарға) және тоназытқыштарға тікелей тиюді болдырмаңыз.** Жерге қосылған заттарға тигенде электр тогының соғуының үлкен қаупі туындайды.
- ▶ **Электр құралдарды жаңбырдан немесе ылғал әсерінен сақтаңыз.** Электр құралға су тиюі нәтижесінде электр тогының соғу қаупі артады.
- ▶ **Байланыс сымын басқа мақсатта қолданбаңыз, мысалы, электр құралды тасымалдау, оны іліп қою немесе электр желісінің розеткасынан айырды шығару үшін.** Байланыс сымын жылу, май, өткір жиектер немесе жылжымалы бөліктерден алшақ ұстаңыз. Байланыс сымының зақымдалуы немесе қабаттасуы нәтижесінде электр тогының соғу қаупі артады.
- ▶ **Егер жұмыстар ашық ауада орындалса, тек бөлмелерден тыс қолдануға рұқсат етілген ұзартқыш сымдарды пайдаланыңыз.** Бөлмелерден тыс қолдануға жарамды ұзартқыш сымды пайдалану электр тогының соғу қаупін азайтады.
- ▶ **Егер электр құралмен ылғалдылық жағдайларында жұмыс істеуді болдырмау мүмкін емес болса, шығып кететін токтан қорғау автоматын қолданыңыз.** Шығып кететін токтан қорғау автоматын қолдану электр тогының соғу қаупін азайтады.

Адамдардың қауіпсіздігі

- ▶ **Ұқыпты болыңыз, әрекеттеріңізге көңіл бөліңіз және электр құралымен жұмыс істеуге дұрыс қараңыз.** Шаршаған кезде немесе есірткі, алкоголь не дәрі қабылдаған соң электр құралын қолданбаңыз. Электр құралын қолданған кездегі зейінсіздік ауыр жарақаттарға апарып соғуы мүмкін.
- ▶ **Жеке қорғану құралдарын пайдаланыңыз және әрқашан міндетті түрде қорғауыш көзілдірікті киіңіз.** Электр құралының түріне және пайдалану жағдайларына байланысты жеке қорғану құралдарын, мысалы, шаңнан қорғайтын респираторды, сырғымайтын аяқ киімді, қорғауыш шлемді, естуді қорғау құралдарын қолдану жарақаттану қаупін азайтады.
- ▶ **Электр құралының кездейсоқ қосылуын болдырмаңыз.** Электр қуатына қосу және/немесе аккумуляторды қою, көтеру немесе тасымалдау алдында электр құралы өшірілгеніне көз жеткізіңіз. Электр құралын тасымалдағанда саусақтар сөндіргіште болатын немесе қосылған электр құралы желіге қосылатын жағдайлар сәтсіз жағдайларға әкелуі мүмкін.



- ▶ **Электр құралын қосу алдында реттеуші құрылғыларды және гайка кілтін алыңыз.** Электр құралының айналатын бөлігіндегі аспап немесе кілт жарақаттарға әкелуі мүмкін.
- ▶ **Жұмыс кезінде ыңғайсыз қалыптарға тұрмауға тырысыңыз. Үнемі тұрақты күйді және тепе-теңдікті сақтаңыз.** Бұл күтпеген жағдайларда электр құралын жақсырақ басқаруға мүмкіндік береді.
- ▶ **Арнайы киімді киіңіз. Өте бос киімді немесе әшекейлерді кимеңіз. Шашты, киімді және қолғапты электр құралының айналатын түйіндерінен сақтаңыз.** Бос киім, әшекейлер және ұзын шаш оларға ілінуі мүмкін.
- ▶ **Егер шаңды жинау және кетіруге арналған құрылғыларды қосу қарастырылған болса, олар қосылғанына және мақсаты бойынша қолданылып жатқанына көз жеткізіңіз.** Шаңды кетіру модулін пайдалану шаңның зиянды әсерін азайтады.
- ▶ **Өз мойныңызға қате қауіпсіздік сезімін алмаңыз және электр құралына арналған қауіпсіздік ережелерін бұзбаңыз, тіпті электр құралын жиі қолданатын тәжірибелі пайдаланушы болсаңыз.** Мұқиятсыз қолдану бірнеше секундта ауыр жарақаттануға апарып соғуы мүмкін.

Электр құралын қолдану және оған қызмет көрсету

- ▶ **Аспапқа шамадан тыс жүктеме түсугін болдырмаңыз. Нақ осы жұмысқа арналған электр құралын қолданыңыз.** Бұл ережені сақтау көрсетілген қуат диапазонында жоғарырақ жұмыс сапасын және қауіпсіздігін қамтамасыз етеді.
- ▶ **Сөндіргіші бұзылған электр құралын қолданбаңыз.** Қосу немесе өшіру қиын электр құралы қауіпті және оны жөндеу керек.
- ▶ **Электр құралын реттеуге, саймандарды ауыстыруға кірісу алдында немесе жұмыстағы үзіліс алдында розеткадан ашаны және/немесе электр құралынан алмалы-салмалы аккумуляторды шығарыңыз.** Бұл сақтық шарасы электр құралының кездейсоқ қосылуын болдырмайды.
- ▶ **Қолданылмайтын электр құралдарын балалар жетпейтін жерде сақтаңыз. Аспаппен таныс емес немесе осы нұсқауларды оқып шықпаған адамдарға аспапты пайдалануға рұқсат бермеңіз.** Электр құралдары тәжірибесі жоқ пайдаланушылардың қолында қауіпті болады.
- ▶ **Электр құралдары мен керек-жарақтарға ұқыпты қараңыз. Айналымды бөліктердің мүлтіксіз қызмет ететінін, олардың жүрісінің жеңілдігін, барлық бөліктердің тұтастығын және электр құралының жұмысына теріс әсер етуі мүмкін зақымдардың жоқтығын тексеріңіз. Аспаптың зақымдалған бөліктерін оны қолдану алдында жөндеуге өткізіңіз.** Электр құралына техникалық қызмет көрсету ережелерін сақтамау көп сәтсіз жағдайлардың себебі болып табылады.
- ▶ **Кескіш аспаптардың үшкір және таза болуын қадағалау керек.** Жұмыс күйінде сақталатын кескіш аспаптардың сыналануы сиректеу болады, оларды басқару жеңілдеу.
- ▶ **Электр құралын, саймандарды, көмекші құрылғыларды және т.б. нұсқауларға сай пайдаланыңыз.** Бұл кезде жұмыс жағдайларын және орындалатын жұмыстың сипатын ескеріңіз. Электр құралдарын басқа мақсаттарда қолдану қауіпті жағдайларға әкелуі мүмкін.
- ▶ **Тұтқыштар мен тұтқыш беттерін таза, құрғақ, май іздерінсіз ұстаңыз.** Сырғанақ тұтқыштар мен олардың беттері белгілі бір жағдайларда электр құралының қауіпсіз қолданылуы мен басқарылуына жол бермейді.

Аккумуляторлық аспапты пайдалану және оған қарау

- ▶ **Аккумуляторды тек өндіруші ұсынған зарядтағыш құрылғылардың көмегімен зарядтаңыз.** Зарядтағыш құрылғыны тиісті емес аккумулятор түрлерін зарядтау үшін қолданғанда өрт туындауы мүмкін.
- ▶ **Аспаппен жұмыс істеу үшін тек тиісті аккумуляторларды қолданыңыз.** Басқа аккумуляторларды пайдалану жарақаттарға әкелуі және өрт тудыруы мүмкін.
- ▶ **Пайдаланылмайтын аккумуляторларды контакттардың тұйықталуының себебі болуы мүмкін скрепчалардан, тындардан, кілттерден, инелерден, винттерден және басқа металл заттардан ары сақтаңыз.** Аккумулятор контактарының тұйықталуы күйіктерге немесе тұтануға әкелуі мүмкін.
- ▶ **Аккумулятормен тиісті емес түрде жұмыс істегенде одан электролит ағып шығуы мүмкін. Оған тиюді болдырмаңыз. Кездейсоқ тигенде сумен шайыңыз.** Электролит кезге тигенде дәрігер көмегіне жүгініңіз. Аккумулятордан ағып шыққан электролит тері тітіркенуін немесе күйіктерді тудыруы мүмкін.
- ▶ **Зақымдалған не пішіні өзгертілген аккумуляторларды қолданбаңыз.** Зақымдалған не пішіні өзгертілген аккумуляторларды болжауға болмайды және олар өрт, жарылыс не жарақаттану қауіпін тудырады.
- ▶ **Аккумуляторды өрт не жоғары температуралы аймақтардан алшақ ұстаңыз.** Өрт немесе 130 °C (265 °F) жоғары температуралар жарылыс тудыруы мүмкін.
- ▶ **Зарядтау үшін барлық нұсқауларды орындаңыз және аккумулятор не аккумуляторлық құралды ешқашан пайдалану бойынша нұсқаулықта берілген температура ауқымдарынан**



тыс зарядтамаңыз. Қате зарядтау немесе рұқсатты температура ауқымдарынан тыс зарядтау аккумуляторды бұзуы және өрт қаупін арттыруы мүмкін.

Қызмет

- ▶ **Электр құралын жөндеуді тек түпнұсқа қосалқы бөлшектерді қолданатын білікті қызметкерлерге сеніп тапсырыңыз.** Бұл электр құралын қауіпсіз күйде сақтауды қамтамасыз етеді.
- ▶ **Зақымдалған аккумуляторларға ешқашан қызмет көрсетпеңіз.** Аккумулятордың толық күтімін тек өндіруші немесе өкілетті қызмет көрсету орталықтары орындауы тиіс.

2.2 Перфораторлармен жұмыс істеу кезіндегі қауіпсіздік техникасы бойынша нұсқаулар

Барлық жұмыстарға арналған қауіпсіздік техникасы бойынша нұсқаулар

- ▶ **Қорғауыш құлаққапты киіңіз.** ШУ әсерінің нәтижесінде есту қабілеті жоғалуы мүмкін.
- ▶ **Аспап жинағына кіретін қосымша тұтқыштарды қолданыңыз.** Аспапты басқаруды жоғалту жарақаттарға әкелуі мүмкін.
- ▶ **Пайдаланатын аспабыңыз көзден таса электр желісіне тиіп кетуі мүмкін болса, аспаптың арнайы жеке бөлінген жерінен ұстаңыз.** Электр сымдарына тигенде аспаптың қорғалмаған металл бөліктері кернеу астында болады. Бұл электр тогының соғуына әкелуі мүмкін.

2.3 Қашайтын балғаға арналған қауіпсіздік техникасының қосымша нұсқаулары

Адамдардың қауіпсіздігі

- ▶ Өнімді және керек-жарақтарды тек техникалық мінсіз күйінде қолданыңыз.
- ▶ Өнімде немесе керек-жарақтарда ешқандай манипуляциялар не өзгерістер орындамаңыз.
- ▶ Мүмкіндігінше тасымалдау арбашасын немесе басқа тасымалдау жабдығын пайдаланыңыз. Арбаша немесе тасымалдау жабдығы болмаса, өнімді үнемі екі адам тасымалдауы тиіс. Өнім мен тасымалдау арбашасының өте ауыр екенін ескеріңіз.
- ▶ Төбе, қабырға мен еденді қашау кезінде қауіпсіз және тұрақты күйді сақтаңыз. Кенет жарылу нәтижесінде тепе-теңдігіңіз бұзылуы мүмкін!
- ▶ Тесіп өтетін бұрғылау кезінде қауіпті аймақты қабырғаның қарама-қарсы жағынан қоршаңыз. Сыртқа шығатын және/немесе төмен түсетін сынықтар адамдарға жарақат тигізуі мүмкін.
- ▶ Өнімді пайдаланған кезде сіз және жақын жердегі адамдар қорғаныш көзілдірігін, құлақ қорғанысы мен жеңіл респираторлық қорғаныс тағып жүруі тиіс.
- ▶ Ажарлау, егеуқұм қағазымен тазалау, кесу және бұрғылау кезінде пайда болатын шаңның құрамында қауіпті химиялық заттар болуы мүмкін. Мысалдары келесідей: қорғасын немесе қорғасын негізіндегі бояулар; плитка, бетон және басқа кірпіш қалау өнімдері, табиғи тас және басқа силикаттық өнімдер; өмен, шамшат және химиялық затпен өңделген сүрек сияқты белгілі бір сүрек түрлері; асбест немесе құрамында асбест бар материалдар. Пайдаланушы мен оның айналасындағы адамдарға әсер ету дәрежесін өңдеу орындалатын материалдардың қауіп класы бойынша анықтаңыз. Өсерді қауіпсіз деңгейде сақтау үшін шаң жинайтын жүйелерді пайдалану немесе арнайы тыныс алу органдарының қорғанысын киіп жүру сияқты қажетті шараларды қолданыңыз. Өсер ету дәрежесін азайту бойынша жалпы шараларға төмендегілер жатады:
 - ▶ Жақсы желдетілген аймақта жұмыс істеу,
 - ▶ Шаңның ұзақ уақыт бойы тиюіне жол бермеу,
 - ▶ Шаңды көз бен денеден алыстату,
 - ▶ Қорғаныс киімін киіп жүру және өсер етілген жерлерді сумен және сабынмен жуу.
- ▶ Құралды алмастырған кезде қорғауыш қолғап киіңіз. Алмалы-салмалы аспапқа тию кесіктерге және күйіктерге апарып соғуы мүмкін.
- ▶ Құлап қалған құралдардан және/немесе керек-жарақтардан жарақат алу қаупі бар. Жұмысты бастамас бұрын аккумулятор мен қондырылған керек-жарақтың берік бекітілгеніне көз жеткізіңіз.
- ▶ Желдету саңылауларын әрдайым бос ұстаңыз. Үсті жабылған желдету саңылауларынан өрт қаупі туындайды!
- ▶ Қорғауыш көзілдіріктерді пайдаланыңыз. Материалдың сынықтары денені және көзді жарақаттауы мүмкін.
- ▶ Саусақтың қан айналымын жақсарту үшін жиі үзіліс жасап, жаттығу жасаңыз. Ұзақ уақыт жұмыс істеген кезде, қатты дірілдердің салдарынан саусақ, қол не буындардың қантамыры не жүйкесіне теріс өсер тиюі мүмкін.
- ▶ Өнімнің үнемі қауіпсіз күйде екенін тексеріңіз. Өнімді тегіс, орнықты және діріл мен соққыға төзімді бетке қойыңыз.



Электр қауіпсіздігі

- ▶ Жұмысты бастамас бұрын жұмыс аймағында жасырын сымдардың, газ бен су құбырларының бар-жоғын тексеріп шығыңыз. Қуыт сымына, газ немесе су құбырына зақым келтірген жағдайда, өнімнің сыртындағы металл бөліктер ток соғуға немесе жарылысқа әкелуі мүмкін.

Электр құралмен дұрыс жұмыс істеу және оны дұрыс пайдалану

- ▶ Электр құралды алып тастау алдында оның толығымен тоқтатылған күйге орнатылғанына дейін күтіңіз.
- ▶ Өнімді тек жұмыс күйінде қосыңыз.

2.4 Аккумулятормен дұрыс жұмыс істеу және оны дұрыс пайдалану

- ▶ **Литий-иондық аккумуляторларды пайдалану және күту бойынша төмендегі қауіпсіздік шараларын орындаңыз.** Нұсқауларды орындамау тері тітіркенуіне, ауыр тот басқыш жарақаттарға, химиялық күйіктерге, өртенуге және/немесе жарылысқа апарып соғуы мүмкін.
- ▶ Аккумуляторларды тек техникалық мінсіз күйінде қолданыңыз.
- ▶ Зақымдалуды болдырмау және денсаулыққа қатты зиян келтіре алатын сұйықтықтардың шығуына жол бермеу үшін аккумуляторларды абайлап қолданыңыз!
- ▶ Аккумуляторларды ешбір жағдайда модификациялауға немесе құрылымына өзгеріс енгізуге болмайды!
- ▶ Аккумуляторларды бөлшектеуге, қысуға, 80°C (176°F) жоғары температураға дейін қыздыруға және жағуға тыйым салынады.
- ▶ Соққы тиген немесе басқаша зақымдалған аккумуляторларды пайдаланбаңыз немесе зарядтамаңыз. Аккумуляторларда зақымдалу белгілерінің бар-жоғын жүйелі түрде тексеріп тұрыңыз.
- ▶ Еш жағдайда қайта өңделген немесе жөнделген аккумуляторларды пайдаланбаңыз.
- ▶ Ешқашан аккумуляторды немесе аккумуляторлық электр құралын соқпа құрал ретінде пайдаланбаңыз.
- ▶ Аккумуляторларға ешқашан тікелей күн сәулесі, жоғары температура, ұшқын немесе ашық жалын әсерін тигізбеңіз. Бұл жарылысқа апарып соғуы мүмкін.
- ▶ Батарея полюсіне саусақпен, құралдармен, өшекеймен немесе басқа да электр тогын өткізетін бөгде заттармен тименіз. Бұл аккумуляторға зақым келтіруі, сондай-ақ мүлікке залал келтіруі және жарақат алуға әкелуі мүмкін.
- ▶ Аккумуляторларды жаңбыр, ылғал мен сұйықтықтарда алшақ ұстаңыз. Еніп кеткен ылғал қысқа тұйықталу, ток соғу, күйіп қалу, өртену және жарылыс қаупін тудыруы мүмкін.
- ▶ Тек осы аккумулятор түрі үшін көзделген зарядтағыш құрылғылар мен электр құралдарын пайдаланыңыз. Бұл ретте тиісті пайдалану бойынша нұсқаулықтардағы мәліметтерге назар аударыңыз.
- ▶ Аккумуляторды жарылғыш орталарда пайдаланбаңыз немесе сақтамаңыз.
- ▶ Егер тиген кезде аккумулятор тым ыстық болса, ол ақаулы болуы мүмкін. Аккумуляторды тұтанғыш материалдардан жеткілікті қашықтықта орналасқан, жақсы көрінетін, тұтанбайтын жерге қойыңыз. Аккумуляторды суытыңыз. Аккумулятор бір сағаттан кейін әлі де қолға ыстық болып тұрса, бұл оның ақаулы екендігін білдіреді. **Hilti** қызмет көрсету орталығына жолығыңыз немесе «Қауіпсіздік және **Hilti** Li-Ion аккумуляторын пайдалану бойынша нұсқаулар» атты құжатты оқып шығыңыз.



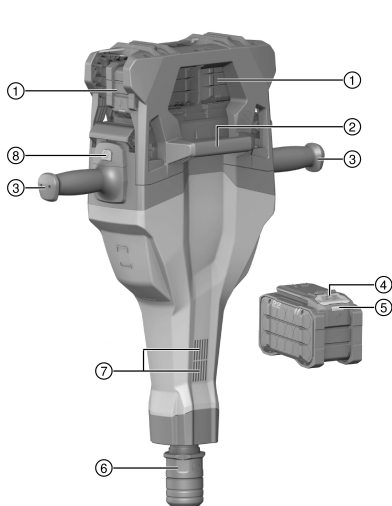
Литий-иондық аккумуляторларды тасымалдау, сақтау және пайдалану үшін қолданылатын арнайы директиваларды ескеріңіз. → Бет 147

Аталмыш пайдалану бойынша нұсқаулықтың соңындағы QR кодын сканерлеу арқылы табуға болатын **Hilti** Li-Ion аккумуляторларына арналған қауіпсіздік және пайдалану бойынша нұсқауларды оқып шығыңыз.



3 Сипаттама

3.1 Өнімге шолу 1



- ① Аккумуляторлар
- ② Тұтқыш
- ③ Тұтқыштар
- ④ Аккумуляторды босату түймесі
- ⑤ Аккумулятордың күй индикаторы
- ⑥ Құрал бекіткіші
- ⑦ Желдету ойықтары
- ⑧ Ажыратқыш

3.2 Тасымалдау арбашасы мен B22/C (XL) қабына (қосымша) шолу 2

- ① Тұтқыш
- ② Жүк сақтандырғышы
- ③ Төжеуіш тұтқа
- ④ B22/C (XL) батарея чемоданына арналған құлып
- ⑤ Пайдаланылатын материал ұстағышы (кескіш)
- ⑥ Дөңгелектер
- ⑦ Дөңгелек қорғанысы (диск, шплинт)
- ⑧ Құрылғының қысқыш жақтауы
- ⑨ Тұтқыш
- ⑩ Аккумулятор
- ⑪ зарядтағыш құрылғысы
- ⑫ B22/C (XL) бөлігі

3.3 Мақсатына сай қолдану

Сипатталған өнім — қолмен басқарылатын аккумуляторлық қашайтын балға. Ол бетонды, кірпіш қалауды және асфальтты қашауға арналған. Сондай-ақ, оны тегістеу және қазу үшін пайдалануға болады.

Өнімді тек жерге бағыттап пайдалануға болады.

- Бұл өнім үшін тек В 22 сериялы **Hilti** Nuron Li-Ion аккумуляторларын пайдаланыңыз. **Hilti** компаниясы бұл өнім үшін оңтайлы қуатқа қол жеткізу мақсатында осы пайдалану бойынша нұсқаулықтың соңындағы кестеде көрсетілген аккумуляторларды пайдалануға кеңес береді.
- Бұл аккумуляторлар үшін тек осы пайдалану бойынша нұсқаулықтың соңындағы кестеде белгіленген серияларға жататын **Hilti** зарядтағыш құрылғыларын қолданыңыз.

3.4 Қате қолданыс

- Өнімді ылғалды ортада орындалатын жұмыстар үшін пайдалануға болмайды.
- Өнімді өрт немесе жарылыс қаупі бар жерде пайдаланбаңыз.
- Денсаулыққа қауіпті материалдарды (мысалы, асбестті) қолдануға тыйым салынады.
- Өнімді тасымалдау үшін кран пайдаланбаңыз.
- Сатыдан жұмыс істеуге тыйым салынған.
- Өнімді қабырғаға қатысты көлденеңінен пайдалануға болмайды.
- Құралдар үшін сақтандыру арқандарын пайдаланбаңыз.



3.5 Active Vibration Reduction

Өнім дірілді айтарлықтай азайтатын қосымша Active Vibration Reduction (AVR) жүйесімен жабдықталған.

3.6 Жеткізілім жинағы

Аккумуляторлық қашайтын балға, пайдалану бойынша нұсқаулық, майлағыш

Тасымалдау арбашасы және аккумуляторлар мен зарядтағыш құрылғы қаптамасы керек-жарақ ретінде беріледі.

Оған қоса өніміңіз үшін рұқсат етілген жүйелік өнімдерді **Hilti Store** дүкенінде немесе мына веб-сайттан табуға болады: www.hilti.group

3.7 Li-Ion аккумуляторларының индикаторлары

Hilti Nuron Li-Ion аккумуляторлары аккумуляторлардың заряд деңгейін, ақаулық туралы хабарларын және күйін көрсете алады.

3.7.1 Заряд деңгейінің және ақаулық туралы хабарлардың индикаторлары

ЕСКЕРТУ

Жарақат алу қаупі аккумулятордың құлауынан!

- ▶ Аккумулятор енгізілген кезде, құлыптан босату түймесін басқаннан кейін аккумулятордың пайдаланылатын өнімге тиісінше бекітілгеніне көз жеткізіңіз.

Төмендегі индикация көрсеткіштерінің біріне қол жеткізу үшін аккумулятордың құлыптан босату түймесін қысқаша басыңыз.

Заряд деңгейі және ықтимал ақаулықтар жалғанған өнім қосылып тұрған кезде үздіксіз көрсетіледі.

Құралдың бөлшектері	Сипаттамасы
Төрт (4) жарық диоды жасыл түспен тұрақты жанып тұр	Заряд деңгейі: 100% және 71% аралығында
Үш (3) жарық диоды жасыл түспен тұрақты жанып тұр	Заряд деңгейі: 70% және 51% аралығында
Екі (2) жарық диоды жасыл түспен тұрақты жанып тұр	Заряд деңгейі: 50% және 26% аралығында
Бір (1) жарық диоды жасыл түспен тұрақты жанып тұр	Заряд деңгейі: 25% және 10% аралығында
Бір (1) жарық диоды жасыл түспен баяу жыпылықтайды	Зарядтау күйі: < 10%
Бір (1) жарық диоды жасыл түспен жылдам жыпылықтайды	Li-Ion аккумуляторларының заряды толықтай таусылды. Аккумуляторды зарядтаңыз. Жарық диоды аккумуляторды зарядтағаннан кейін сонда да жылдам жыпылықтаса, Hilti қызмет көрсету орталығына хабарласыңыз.
Бір (1) жарық диоды сары түспен жылдам жыпылықтайды	Li-Ion аккумуляторлары немесе оған байланысты өнімге артық жүктеме түсті, қатты қызып кетті немесе басқа ақаулық орын алды. Өнім мен аккумуляторды ұсынылған жұмыс температурасына жеткізіңіз және өнімді пайдаланған кезде оған артық жүктеме түсірмеңіз. Хабар көрсетіле берсе, Hilti қызмет көрсету орталығына хабарласыңыз.
Бір (1) жарық диоды сары түспен жанып тұр	Li-Ion аккумуляторлары және оған қосылған өнім үйлесімді емес. Hilti қызмет көрсету орталығына хабарласыңыз.
Бір (1) жарық диоды қызыл түспен жылдам жыпылықтайды	Li-Ion аккумуляторлары құлыптаулы және оны бұдан былай пайдалану мүмкін емес. Hilti қызмет көрсету орталығына хабарласыңыз.



3.7.2 Аккумулятор күйін көрсететін индикаторлар

Аккумулятордың күйін шақыру үшін құлыптан босату түймесін үш секундтан артық басып тұрыңыз. Жүйе құлату, тесу, сыртқы жылуудан зақым келтіру және т.с.с. қате қолданудан туындаған батареяның ақаулығын анықтамайды.

Құралдың бөлшектері	Сипаттамасы
Барлық жарық диодтары жұмыс шамы ретінде жанады, содан кейін бір (1) жарық диоды жасыл түспен тұрақты жанады.	Аккумуляторды ары қарай пайдалануға болады.
Барлық жарық диодтары жұмыс шамы ретінде жанады, содан кейін бір (1) жарық диоды сары түспен жылдам жыпылықтайды.	Аккумулятор күйі туралы сұрауды орындау мүмкін болмады. Әрекетті қайталаңыз немесе Hilti қызмет көрсету орталығына жолығыңыз.
Барлық жарық диодтары жұмыс шамы ретінде жанады, содан кейін бір (1) жарық диоды қызыл түспен тұрақты жанады.	Жалғанған өнімді ары қарай пайдалану мүмкін болса, бұл қалған аккумулятор қуатының 50% шамасынан төмен болғанын білдіреді. Жалғанған өнімді ары қарай пайдалану мүмкін болмаса, бұл аккумулятордың қызмет ету мерзімі аяқталғанын және оны алмастыру керек екендігін білдіреді. Hilti қызмет көрсету орталығына хабарласыңыз.

4 Аккумуляторлық қашайтын балға

	TE 2000-22
ЕРТА Procedure 01 стандарты бойынша аккумуляторсыз салмағы	17,4 кг
Соққы энергиясы (ЕРТА-Procedur 05)	38,2 Дж
Жұмыс кезіндегі қоршаған орта температурасы	-17 °C ... 60 °C
Сақтау температурасы	-20 °C ... 70 °C

4.1 Аккумулятор

Аккумулятордың жұмыс кернеуі	21,6 В
Аккумулятор салмағы	Осы пайдалану бойынша нұсқаулықтың соңында қараңыз
Жұмыс кезіндегі қоршаған орта температурасы	-17 °C ... 60 °C
Сақтау температурасы	-20 °C ... 40 °C
Заряптаудың басындағы аккумулятор температурасы	-10 °C ... 45 °C

4.2 EN 62841 стандарты бойынша шуыл туралы ақпарат және діріл мәні

Осы нұсқауларда көрсетілген дыбыс қысымы мен діріл деңгейі стандартты өлшеу әдісімен өлшенген және оны басқа электр құралдарымен салыстыру үшін пайдалануға болады. Сонымен бірге, ол экспозицияны алдын ала бағалау үшін жарайды.

Берілген деректер электр құралының негізгі жұмысын көрсетеді. Алайда, егер электр құралы басқа мақсаттарда, басқа жұмыс аспаптарымен қолданылса немесе оған қанағаттандырмайтын техникалық қызмет көрсетілсе, деректер өзгеше болуы мүмкін. Осының салдарынан аспаптың бүкіл жұмыс істеу кезеңінде экспозиция айтарлықтай артуы мүмкін.

Экспозицияны дәл анықтау үшін аспап сәндірілген күйде немесе бос жұмыс істейтін уақыт аралықтарын да ескеру керек. Осының салдарынан аспаптың бүкіл жұмыс істеу кезеңінде экспозиция айтарлықтай азаюы мүмкін.

Пайдаланушыны пайда болатын шуылдан және/немесе дірілден қорғау үшін қосымша сақтық шараларын қолданыңыз, мысалы: электр аспабына және жұмыс аспаптарына техникалық қызмет көрсету, қолдардың жылуын сақтау, жұмыс процестерін дұрыс ұйымдастыру.



Шуыл туралы ақпарат

Өлшенген дыбыс күшінің деңгейі (L_{WA})	98 дБ(А)
Дыбыс күшінің деңгейі бойынша дәлсіздік (K_{WA})	3 дБ(А)
Эмиссиялық дыбыс қысымының деңгейі (L_{pA})	87 дБ(А)
Дыбыс қысымының деңгейі бойынша дәлсіздік (K_{pA})	3 дБ(А)

Дірілдің жалпы көрсеткіші

Қашау ($a_{h, Cheq}$)	B 22-170	3,8 м/с ²
	B 22-255	3,8 м/с ²
Дәлсіздік (K)		1,5 м/с ²

5 Жұмысқа дайындық

ЕСКЕРТУ

Жарақат алу қаупі абайсыздан қосылу себебінен!

- ▶ Аккумуляторларды салмай тұрып, өнімнің өшірулі екенін тексеріңіз.
- ▶ Аспап реттеулерін орындау немесе қосалқы бөлшектерді ауыстыру алдында аккумуляторды шығарыңыз.

Осы құжаттамадағы және өнімдегі қауіпсіздік және ескерту нұсқауларын орындаңыз.

5.1 Аккумуляторларды зарядтау

1. Зарядтау алдында зарядтағыш құрылғының пайдалану бойынша нұсқаулығын оқып шығыңыз.
2. Аккумулятордағы және зарядтағыш құрылғыдағы контактілердің таза әрі құрғақ екендігіне көз жеткізіңіз.
3. Аккумуляторды рұқсат етілген зарядтағыш құрылғы ішінде зарядтаңыз. → Бет 142

5.2 Аккумуляторларды салу

ЕСКЕРТУ

Жарақат алу қаупі қысқа тұйықталудан немесе аккумулятордың құлауынан!

- ▶ Аккумуляторларды салмай тұрып, олардың контактілері мен өнімде бөгде заттардың жоқ екеніне көз еткізіңіз.
 - ▶ Аккумуляторлардың дұрыс салынғанын үнемі тексеріңіз.
1. Өнімді бірінші рет қолданбай тұры, аккумуляторларды толықтай зарядтаңыз.
 2. Аккумуляторларды өнімге шерт еткен дыбыс шыққанша салыңыз.
 3. Аккумуляторлардың нық орнатылғанын тексеріңіз.

5.3 Аккумуляторды шығару

1. Аккумулятордың құлыптан босату түймесін басыңыз.
2. Аккумуляторды өнімнен шығарыңыз.

6 Қызмет көрсету

Осы құжаттамадағы және өнімдегі қауіпсіздік және ескерту нұсқауларын орындаңыз.

6.1 Алмалы-салмалы аспапты енгізу

1. Алмалы-салмалы аспап ұшын аздап майлаңыз.



Жарамсыз майды пайдалану нәтижесінде өнім зақымдалуы мүмкін. **Тек Hilti компаниясы ұсынған түпнұсқа жағармай қолданыңыз.**

2. Алмалы-салмалы аспапты құрал бекіткішіне енгізіңіз және оны шерту дыбысы естілгенше сәл басып айналдырыңыз.
3. Қысқыда берік бекітілгеніне көз жеткізу үшін жұмыс аспабын өзіңізге тартыңыз.



6.2 Алмалы-салмалы аспапты шығару

АБАЙЛАҢЫЗ

Жарақат алу қаупі бар! Алмалы-салмалы аспап ыстық және/немесе өткір болуы мүмкін.

- ▶ Алмалы-салмалы аспапты ауыстырған кезде қорғауыш қаптаманы тіреңіз.
- ▶ Ыстық алмалы-салмалы аспапты тұтанғыш беттерге ешқашан қоймаңыз.

1. Құрал құлпын тірелгенше артқа тартыңыз.
2. Алмалы-салмалы аспапты шығарыңыз.

6.3 Қызмет көрсету

Осы құжаттамадағы және өнімдегі қауіпсіздік және ескерту нұсқауларын орындаңыз. Жұмыстарды құрылыс басқармасы толық көлемде мақұлдауы керек!

6.3.1 Қашау

1. Қашауды қалаулы позицияға орнатыңыз.
2. Қуат сөндіргішін басыңыз.



Төмен температуралардағы жұмыс:

Өнім соққы механизмі жұмыс істегенше минималды жұмыс температурасын қажет етеді. Оған қол жеткізу үшін өнімді аз уақытқа астыңғы бетке қойып, бос жүріс күйінде жұмыс істетіңіз. Қажет болса, соққы механизмі іске қосылғанша, әрекетті қайталаңыз.

6.3.2 Өшіру

- ▶ Қуат сөндіргішін басыңыз.

6.3.3 Ескертпелер



Кескішті 6 түрлі позицияға (60° қадамға) орнатуға болады. Осының есебінен жалпақ және қалыпқа түсірілген кескіштерді қажетті жұмыс күйіне орнатуға болады.

- ▶ Кескішті жиіктен шамамен 80-100 мм-ге (3 1/8" - 4") орналастырыңыз.
- ▶ Арматураны пайдаланған кезде қашауды арматураға емес, материал шетіне бағыттаңыз.
- ▶ Қашау процесін бетон бетке 90° жасап бастаңыз да, ұшын шетіне бағыттаңыз. Содан кейін бағыттау бұрышын 70°-тан 80°-ға ауыстырып, материалды сындырып алыңыз.
- ▶ Кескішті жүйелі түрде айналдырыңыз, себебі біркелкі тозу өздігінен өткірлеу барысына қолдау көрсетеді.
- ▶ Тым әлсіз басу кескіштің негізден ыршып кетуіне әкеледі. Тым қатты басу кескіш қуатының төмендеуін тудырады.

7 Тасымалдау арбашасы және қап бар B22/C (XL)

7.1 Тасымалдау

Тасымалдау арбашасы қашайтын балғаның қауіпсіз тасымалын қамтамасыз етеді.

B22/C (XL) чемоданы зарядтау құрылғысы мен аккумуляторды тасымалдау кезінде қорғайды.

- Тасымалдау арбашасының тұрақты күйін қамтамасыз етіңіз.
- Өнімді тасымалдаған кезде оны білдектің арнайы монтаждау өзегіне қойып, тоқтатқыш кронштейнмен бекітіңіз.
- B22/C (XL) чемоданын тасымалдау арбашасына қойып, құлыппен бекітіңіз.
- Қауіпсіз тасымалдау жолын қамтамасыз етіңіз.
- Тасымалдау арбашасын еңіс беттерге қоймаңыз.
- Тасымалдау арбашасы мен B22/C (XL) чемоданын тасымалдау үшін кран қолданбаңыз.
- Кескішті арнайы ұстағышқа тірелгенше енгізіңіз.
- Қауіпсіз тасымалдау жолын қамтамасыз етіңіз.
- Тасымалдау арбашасын еңіс беттерге қоймаңыз.



- Тасымалдау арбашасы мен B22/C (XL) чемоданын тасымалдау үшін кран қолданбаңыз.

8 Күтім және техникалық қызмет көрсету

ЕСКЕРТУ

Аккумуляторларды салған кезде жарақат алу қаупі !

- ▶ Қызмет немесе техникалық қызмет көрсетпей тұрып, аккумуляторларды шығарып алыңыз.

Өнімге қызмет көрсету

- Қатты жабысқан кірді мұқият кетіріңіз.
- Бар болса, желдету саңылауларын құрғақ қылшақпен абайлап тазалаңыз.
- Корпусты тек сәл суланған шүберекпен тазалаңыз. Ешқандай силикон қамтитын күтім құралдарын пайдаланбаңыз, өйткені олар пластмасса бөлшектерін зақымдауы мүмкін.

Литий-иондық аккумуляторға қызмет көрсету

- Еш жағдайда желдету саңылаулары бітелген батареяны қолданбаңыз. Желдету саңылауларын құрғақ, жұмсақ қылшақпен жақсылап тазалаңыз.
- Аккумуляторға шаңның немесе кірдің қажетсіз тиюіне жол бермеңіз. Аккумуляторға қатты ылғалдың тиюіне ешқашан жол бермеңіз (мысалы, суға батыру немесе жаңбыр астына қою арқылы).
- Аккумулятор су болса, оны зақымдалған аккумулятор ретінде қарастырыңыз. Оны тұтанбайтын контейнерге оқшаулап, **Hilti** қызмет көрсету орталығына хабарласыңыз.
- Аккумуляторды май мен майлағыштан таза ұстаңыз. Аккумуляторда шаң не кірдің қажетсіз жиналуына жол бермеңіз. Аккумуляторды құрғақ, жұмсақ қылшақпен немесе таза, құрғақ шүберекпен тазалаңыз. Ешқандай силикон қамтитын күтім құралдарын пайдаланбаңыз, себебі олар пластик бөліктерге зақым келтіре алады.
- Корпусты тек сәл суланған шүберекпен тазалаңыз. Ешқандай силикон қамтитын күтім құралдарын пайдаланбаңыз, өйткені олар пластмасса бөлшектерін зақымдауы мүмкін.

Техникалық қызмет көрсету

- Барлық көзге көрінетін бөлшектерде зақымдардың бар-жоғын және басқару элементтерінің ақаусыз жұмысын жиі тексеріп тұрыңыз.
- Өнім зақымдалған және/немесе ақаулы болған жағдайда оны пайдаланушы болмаңыз. Бірден **Hilti** қызмет көрсету орталығына жөндетіңіз.
- Күтім және техникалық қызмет көрсету жұмыстарынан кейін барлық қорғауш құрылғыларды орнатып, жұмысын тексеріңіз.



Қауіпсіз қолдану үшін тек түпнұсқа қосалқы бөлшектер мен жұмсалатын материалдарды қолданыңыз. Біз рұқсат еткен қосалқы бөлшектер, шығын материалдары мен өнімге арналған керек-жарақтар **Hilti Store** дүкенінде немесе келесі веб-сайтта қолжетімді: www.hilti.group.

9 Аккумуляторлық құралдар мен аккумуляторларды тасымалдау және сақтау

Тасымалдау

АБАЙЛАҢЫЗ

Тасымалдау кезіндегі кенет іске қосылу !

- ▶ Өніміңізді әрдайым аккумуляторын шығарып алып тасымалдаңыз!
- ▶ Аккумулятор(лар)ды шығарыңыз.
- ▶ Аккумуляторларды ешқашан үймеде тасымалдамаңыз. Тасымалдау барысында аккумуляторларды шамадан артық соқтық мен дірілден қорғау және олардың басқа батарея полюстерімен жанасуына және қысқа тұйықталудың туындауына жол бермеу үшін кез келген ток өткізгіш материалдардан немесе басқа аккумуляторлардан оқшаулау керек. **Аккумуляторларға арналған жергілікті тасымалдау ережелерін сақтаңыз.**
- ▶ Аккумуляторларды поштамен жіберуге болмайды. Зақымдалмаған аккумуляторларды жіберу қажет болғанда, жеткізуші кәсіпорындарға хабарласыңыз.
- ▶ Өнім мен аккумуляторларды әр пайдаланбас бұрын және ұзақ уақыт бойы тасымалдағаннан кейін зақымдардың бар-жоғын тексеріп шығыңыз.



Бүлінген немесе заряды таусылған аккумуляторлардан күтілмеген зақымдалу!

- ▶ Өніміңізді әрдайым аккумуляторын шығарып алып сақтаңыз!

- ▶ Өнім мен аккумуляторларды салқын және құрғақ жерде сақтаңыз. Техникалық деректерде көрсетілген температураның шектік мәндерін ескеріңіз.
- ▶ Аккумуляторларды зарядтағыш құрылғыда сақтамаңыз. Аккумуляторды зарядтағаннан кейін әрдайым зарядтағыш құрылғыдан шығарыңыз.
- ▶ Аккумуляторларды еш жағдайда күн мен жылу көздерінің астында немесе шыны өйнек артында сақтамаңыз.
- ▶ Өнім мен аккумуляторларды балалар мен рұқсаты жоқ адамдардың қолы жетпейтін жерде сақтаңыз.
- ▶ Өнім мен аккумуляторларды әр пайдаланбас бұрын және ұзақ уақыт бойы сақтағаннан кейін зақымдардың бар-жоғын тексеріп шығыңыз.

10 Ақаулардағы көмек

Кез келген ақаулар орын алған жағдайда, аккумулятордың заряд деңгейі мен ақау индикаторына назар аударыңыз. **Li-Ion аккумуляторларының индикаторлары** ін қараңыз.

Бұл кестеде келтірілмеген немесе өзіңіз түзете алмайтын ақаулар орын алғанда, **Hilti** қызмет көрсету орталығына хабарласыңыз.

Ақаулық	Ықтимал себеп	Шешім
Аккумулятор шерту дыбысымен тіреліп бекітілмейді.	Аккумулятор ысырмасы немесе құрылғы интерфейсі ластанған.	▶ Ысырмаларды тазалап, аккумуляторларды қайта салыңыз.
Аккумулятор заряды әдеттегіден тезірек бітеді.	Аккумулятор зарядының деңгейі оңтайлы емес.	▶ Аккумулятордың зарядының деңгейі туралы ақпаратты шақырыңыз. → Бет 143
Өнім жұмыс істемейді.	Тек бір зарядталған аккумулятор салынған.	▶ Екінші зарядталған аккумуляторды салыңыз.
Соққымен бұрғылау орындалмайды.	Өнім тым суық.	▶ Өнімді астыңғы бетке қойып, оны бос жүріс күйінде жұмыс істетіңіз. Қажет болса, соққы механизмі жұмыс істегенше әрекетті қайталаңыз.
Өнімде немесе аккумуляторда қатты ыстық пайда болды.	Электр бөлігі бойынша ақау.	▶ Өнімді дереу өшіріңіз. Аккумуляторларды шығарып алып, тексеріңіз. Олардың суығанын күтіңіз. Hilti қызмет көрсету орталығына хабарласыңыз.
Өнім қолданған өшіп қалады немесе іске қосылмайды	Өнім/аккумулятор тым ыстық немесе аккумулятор тым суық.	▶ Өшіріп, құрылғының/аккумулятордың суығанын күтіңіз. ▶ Аккумуляторларды тым салқын. Аккумуляторлардың ұсынылған жұмыс температурасына дейін жылығанын күтіңіз.




11 Кәдеге жарату

⚠ ЕСКЕРТУ

Қате жолмен кәдеге жаратудан жарақат алу қаупі бар! Газдардың немесе сұйықтықтардың шығуынан денсаулыққа зиян келтіру қаупі бар.

- ▶ Зақымдалған аккумуляторларды жіберуге немесе жөнелтуге болмайды!
- ▶ Қысқа тұйықталуға жол бермеу үшін, қосылымдарды ток өткізбейтін материалмен жауып қойыңыз.
- ▶ Аккумуляторларды балалардың қолына жетпейтіндей етіп кәдеге жаратыңыз.
- ▶ Аккумуляторды **Hilti Store** дүкенінде кәдеге жаратыңыз немесе жергілікті кәдеге жарату кәсіпорнына хабарласыңыз.

 **Hilti** өнімдері қайта өңдеу үшін жарамды көптеген материалдардың санынан тұрады. Кәдеге жарату алдында материалдарды мұқият сұрыптау керек. Көптеген елдерде **Hilti** компаниясы ескі аспаптарды кәдеге жарату үшін қабылдайды. **Hilti** қызмет көрсету орталығынан немесе дилерден сұраңыз.



- ▶ Электр құралдарды, электрондық құрылғылар мен аккумуляторларды тұрмыстық қоқыспен бірге тастамаңыз!

12 Өндіруші кепілдігі

- ▶ Кепілдік шарттары туралы сұрақтарыңыз болса, жергілікті **Hilti** серіктесіне хабарласыңыз.

13 Қосымша ақпарат

Басқару, техника, қоршаған орта және қайта өңдеу туралы қосымша ақпаратты мына сілтеме бойынша қараңыз: qr.hilti.com/manual/?id=2301751&id=2301753

Бұл сілтеме құжаттаманың соңында QR коды ретінде қолжетімді.

Orijinal kullanım kılavuzu

1 Dokümantasyon verileri

1.1 Bu doküman için

- Çalıştırmadan önce bu dokümanı okuyunuz. Bu, güvenli çalışma ve arızasız kullanım için ön koşuldur.
- Bu dokümanda ve ürün üzerinde bulunan güvenlik ve uyarı bilgilerine dikkat ediniz.
- Kullanım kılavuzunu her zaman ürün üzerinde bulundurunuz ve ürünü sadece bu kılavuz ile birlikte başka kişilere veriniz.

1.2 Resim açıklaması

1.2.1 Uyarı bilgileri

Uyarı bilgileri, ürün ile çalışırken ortaya çıkabilecek tehlikelere karşı uyarır. Aşağıdaki uyarı metinleri kullanılır:

⚠ TEHLİKE

TEHLİKE !

- ▶ Ağır vücut yaralanmalarına veya doğrudan ölüme sebep olabilecek tehlikeler için.

⚠ İKAZ

İKAZ !

- ▶ Ağır yaralanmalara veya ölüme neden olabilecek tehlikeler için.

⚠ DİKKAT






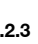
DİKKAT !

- ▶ Vücut yaralanmalarına veya maddi hasarlara yol açabilecek olası tehlikeli durumlar için.




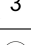


1.2.2 Kullanım kılavuzundaki semboller

Bu kullanım kılavuzunda aşağıdaki semboller kullanılmıştır:

	Kullanım kılavuzuna dikkat edilmelidir
	Kullanım uyarıları ve diğer gerekli bilgiler
	Geri dönüşümlü malzemeler ile çalışma
	Elektrikli aletleri ve aküleri evdeki çöplere atmayınız
	Hilti Lityum İyon akü
	Hilti Şarj cihazı

1.2.3 Resimlerdeki semboller






Resimlerde aşağıdaki semboller kullanılmıştır:

	Bu sayılar, kullanım kılavuzunun başlangıcındaki ilgili çizime atanmıştır.
	Numaralandırma, resimdeki çalışma adımlarının sırasını göstermektedir ve metindeki çalışma adımlarından farklı olabilir.
	Pozisyon numaraları Genel bakış resminde kullanılır ve Ürüne genel bakış bölümündeki açıklama numaralarına referans niteliğindedir.
	Bu işaret, ürün ile çalışırken dikkatinizi çekmek için koyulmuştur.

1.3 Ürüne bağlı semboller

1.3.1 Üründeki semboller

Üründe aşağıdaki semboller kullanılabilir:

	Vinç ile taşımak yasaktır
	Ürün, iOS ve Android platformları ile uyumlu NFC teknolojisini destekler.
	Lityum İyon akü
	Aküyü asla darbe aleti olarak kullanmayınız.
	Aküyü düşürmeyiniz. Darbe almış veya hasar görmüş bir aküyü kullanmayınız.

1.4 Ürün bilgileri

HILTI ürünleri profesyonel kullanıcıların kullanımı için öngörülmüştür ve sadece yetkili personel tarafından kullanılabilir ve bakımı yapılabilir. Bu personel, meydana gelebilecek tehlikeler hakkında özel olarak eğitim görmüş olmalıdır. Aletin ve ilgili yardımcı gereçlerin eğitimsiz personel tarafından usulüne uygun olmayan şekilde kullanılması ve amaçları dışında çalıştırılması sonucu tehlikeli durumlar söz konusu olabilir.

Tip tanımı ve seri numarası, tip plakası üzerinde belirtilmiştir.

- Seri numarasını aşağıdaki tabloya aktarınız. Ürün bilgileri acente veya servis merkezini aradığınızda sorulabilir.

Ürün bilgileri

Keski tabancası	TE 2000-22
Nesil	01
Seri no.	



1.5 Uygunluk beyanı

Üretici burada tanımlanan ürünün geçerli yasalara ve standartlara uygun olduğunu kendi sorumluluğunda beyan eder. Bu dokümanın sonunda uygunluk beyanının bir kopyasını bulabilirsiniz.

Teknik dokümantasyonlar eklidir:

Hilti Entwicklungsgesellschaft mbH | Zulassung Geräte | Hiltistraße 6 | 86916 Kaufering, DE

2 Güvenlik

2.1 Elektrikli el aletleri için genel güvenlik uyarıları

⚠ İKAZ Bu elektrikli el aletine yönelik tüm güvenlik uyarılarını, talimatları, resimli açıklamaları ve teknik verileri dikkatlice okuyunuz. Aşağıdaki talimatlara uyulmaması durumunda elektrik çarpması, yangın ve/veya ağır yaralanmalar söz konusu olabilir.

Tüm güvenlik uyarılarını ve kullanım talimatlarını muhafaza ediniz.

Güvenlik uyarılarında kullanılan "Elektrikli el aleti terimi, şebeke işletimli elektrikli el aletleri (şebeke kablosu ile) veya akü işletimli elektrikli el aletleri (şebeke kablosu olmadan) ile ilgilidir.

İş yeri güvenliği

- ▶ **Çalışma alanınızı temiz ve aydınlık tutunuz.** Düzensiz veya aydınlatma olmayan çalışma alanları kazalara yol açabilir.
- ▶ **Yanıcı sıvıların, gazların veya tozların bulunduğu patlama tehlikesi olan yerlerde elektrikli el aleti ile çalışmayınız.** Elektrikli el aletleri, toz veya buharı yakabilecek kıvılcım oluşturur.
- ▶ **Elektrikli el aletini kullanırken çocukları ve diğer kişileri uzak tutunuz.** Dikkatiniz dağılırsa aletin kontrolünü kaybedebilirsiniz.

Elektrik güvenliği

- ▶ **Elektrikli el aletinin bağlantı fişi prize uygun olmalıdır. Fiş hiçbir şekilde değiştirilmemelidir. Adaptör fişini topraklama korumalı elektrikli el aletleri ile birlikte kullanmayınız.** Değiştirilmemiş fişler ve uygun prizler elektrik çarpması riskini azaltır.
- ▶ **Borular, radyatörler, fırınlar ve buzdolapları gibi toprağa temas eden üst yüzeylere vücudunuzla temas etmekten kaçınınız.** Vücudunuzun toprakla teması var ise yüksek bir elektrik çarpması riski söz konusudur.
- ▶ **Elektrikli el aletini yağmurdan veya ıslaklıktan uzak tutunuz.** Elektrikli el aletine su girmesi, elektrik çarpması riskini artırır.
- ▶ **Elektrikli el aletini taşımak, asmak veya fişi prizden çekmek için bağlantı kablosunu kullanım amacı dışında kullanmayınız. Bağlantı kablosunu sıcaktan, yağdan, keskin kenarlardan ve hareketli parçalardan uzak tutunuz.** Hasarlı veya dolanmış bağlantı kabloları elektrik çarpması riskini artırır.
- ▶ **Elektrikli bir el aleti ile açık alanda çalışacaksanız, sadece dışarıda kullanımına izin verilen uzatma kabloları kullanınız.** Dış mekanlar için uygun olan uzatma kablolarının kullanılması elektrik çarpması riskini azaltır.
- ▶ **Elektrikli el aleti işletiminin nemli ortamda yapılması kaçınılmaz ise bir kaçak akım koruma şalteri kullanınız.** Bir kaçak akım koruma şalterinin kullanımı elektrik çarpması riskini azaltır.

Kişilerin güvenliği

- ▶ **Dikkatli olunuz, ne yaptığınıza dikkat ediniz ve elektrikli el aleti ile mantıklı bir şekilde çalışınız. Yorgunsanız veya uyuşturucu, alkol veya ilaç etkisi altında olduğunuzda elektrikli el aleti kullanmayınız.** Elektrikli el aletini kullanırken bir anlık dikkatsizlik ciddi yaralanmalara neden olabilir.
- ▶ **Kişisel koruyucu donanım ve her zaman bir koruyucu gözlük takınız.** Elektrikli el aletinin türüne ve kullanımına göre toz maskesi, kaymayan güvenlik ayakkabısı, koruyucu kask veya kulaklık gibi kişisel koruyucu donanımların kullanılması yaralanma riskini azaltır.
- ▶ **İstem dışı çalışmayı önleyiniz. Güç kaynağına ve/veya aküyü bağlamadan, girişini yapmadan veya taşımadan önce elektrikli el aletinin kapalı olduğundan emin olunuz.** Elektrikli el aletini taşıırken parmağınız şalterde ise veye alet açık konumda güç kaynağına takılırsa bu durum kazalara yol açabilir.
- ▶ **Elektrikli el aletini devreye almadan önce ayar aletlerini veya vidalama anahtarlarını çıkartınız.** Dönen bir alet parçasında bulunan bir alet veya anahtar yaralanmalara yol açabilir.
- ▶ **Aşırı bir vücut hareketinden sakınınız. Güvenli bir duruş sağlayınız ve her zaman dengeli tutunuz.** Böylece beklenmedik durumlarda elektrikli el aletini daha iyi kontrol edebilirsiniz.
- ▶ **Uygun kıyafetler giyiniz. Bol kıyafetler giymeyiniz veya takı takmayınız. Saçları, kıyafetleri ve eldivenleri hareket eden parçalardan uzak tutunuz.** Bol kıyafetler, takı veya uzun saçlar hareket eden parçalara takılabilir.
- ▶ **Toz emme ve tutma tertibatları monte edilebiliyorsa bunların bağlı olduğundan ve doğru kullanıldığından emin olunuz.** Bu toz emme tertibatının kullanımı tozdan kaynaklanabilecek tehlikeleri azaltabilir.



- ▶ **Kendi güvenliğinizi riske atmayınız ve elektrikli el aletleri kullanımında son derece tecrübeli olsanız bile ilgili güvenlik kurallarını ihlal etmeyiniz.** Dikkatsiz kullanım saniyeler içerisinde ciddi yaralanmalara neden olabilir.

Elektrikli el aletinin kullanımı ve çalıştırılması

- ▶ **Aleti çok fazla zorlamayın. Çalışmanız için uygun olan elektrikli el aletini kullanın.** Uygun elektrikli el aleti ile bildirilen hizmet alanında daha iyi ve güvenli çalışırsınız.
- ▶ **Şalteri bozuk olan elektrikli el aletini kullanmayınız.** Açılıp kapatılmayan bir elektrikli el aleti tehlikelidir ve tamir edilmesi gerekir.
- ▶ **Alet ayarlarını yapmadan, aksesuar parçalarını değiştirmeden veya aleti bir yere koymadan önce fişi prizden ve/veya (çıkarılabilir) aküyü aletten çıkarınız.** Bu önlem, elektrikli el aletinin istem dışı çalışmasını engeller.
- ▶ **Kullanılmayan elektrikli el aletlerini çocukların erişemeyeceği yerde muhafaza edin. Aleti iyi tutanmayan veya bu talimatları okumamış kişilere aleti kullanırmayınız.** Elektrikli el aletleri bilgisiz kişiler tarafından kullanılırsa tehlikelidir.
- ▶ **Elektrikli el aletlerinin ve aksesuarlarının bakımını titizlikle yapınız. Hareketli parçaların kusursuz çalıştığı ve sıkışmadığı, parçaların kırılıp kırılmadığı veya hasar görüp görmediği, elektrikli el aleti fonksiyonlarının kısıtlanma durumlarını kontrol ediniz. Hasarlı parçaları aleti kullanmadan önce tamir ettiriniz.** Birçok kazanın nedeni bakım kötü yapılan elektrikli el aletleridir.
- ▶ **Kesme aletlerini keskin ve temiz tutun.** Özenle bakımı yapılmış keskin bıçak kenarı olan kesme aletleri daha az sıkışır ve kullanımı daha rahattır.
- ▶ **Elektrikli el aletini, aksesuarları, ek aletleri vb. bu talimatlara göre kullanın. Çalışma şartlarını ve yapılacak işi de ayrıca göz önünde bulundurun.** Elektrikli el aletlerinin öngörülen kullanımı dışında kullanılması tehlikeli durumlara yol açabilir.
- ▶ **Tutamağı ve tutamak yüzeylerini daima temiz ve yağ ve gresten arındırılmış durumda tutunuz.** Kaygan tutamaklar ve tutamak yüzeyleri güvenli bir kullanımı ve öngörülemez durumlarda elektrikli el aletinin kontrolünü engeller.

Aküli el aletinin kullanımı ve çalıştırılması

- ▶ **Aküleri sadece üretici tarafından tavsiye edilen şarj cihazları ile şarj ediniz.** Belirli bir akü için uygun olan bir şarj cihazı, başka akülerle kullanılırsa yanma tehlikesi vardır.
- ▶ **Elektrikli el aletlerinde sadece bunun için öngörülen aküler kullanılmalıdır.** Başka akülerin kullanılması yaralanmalara ve yanma tehlikelerine yol açabilir.
- ▶ **Kullanılmayan aküleri, kontakların köprülmesine sebep olabilecek ataçlar, madeni paralar, anahtarlar, çiviler, vidalar veya diğer küçük metal cisimlerden uzak tutunuz.** Akü kontakları arasındaki kısa devre yanmalara veya alev oluşumuna sebep olabilir.
- ▶ **Yanlış kullanımda aküden sıvı çıkabilir. Bunlar ile temas önleyiniz. Yanlışlıkla temasta su ile durulayınız. Sıvı gözlerle temas ederse ayrıca doktor yardımı isteyiniz.** Dışarı akan akü sıvısı cilt tahrişine ve yanmalara yol açabilir.
- ▶ **Hasarlı veya değiştirilmiş aküleri kullanmayınız.** Hasarlı veya değiştirilmiş aküler öngörülemez şekilde yangın, patlama veya yaralanma tehlikesi içeren tutumlara neden olabilir.
- ▶ **Aküleri açık ateş yakınına koymayınız veya yüksek sıcaklıklara maruz bırakmayınız.** Açık ateş veya 130°C'nin (265°F) üzerinde sıcaklıklar patlama tehlikesine neden olabilir.
- ▶ **Tüm şarj talimatlarına uyunuz ve aküyü veya akülü aleti kullanım kılavuzunda öngörülen sıcaklık aralığının dışında şarj etmeyiniz.** Hatalı şarj veya öngörülen sıcaklık aralığının dışındaki şarj işlemleri akünün zarar görmesine ve yangın tehlikesine neden olabilir.

Servis

- ▶ **Elektrikli el aletinizi sadece kalifiye uzman personele ve sadece orijinal yedek parçalar ile tamir ettiriniz.** Böylece aletin güvenliğinin korunduğundan emin olunur.
- ▶ **Hasarlı akülere bakım yapmayınız.** Akülere yönelik tüm bakım çalışmaları sadece üretici veya yetkili müşteri hizmetleri tarafından yapılmalıdır.

2.2 Kırcı-delici için güvenlik uyarıları

Tüm çalışmalara yönelik güvenlik uyarıları

- ▶ **Kulaklık takınız.** Aşırı sestense dolayı duyma kaybı meydana gelebilir.
- ▶ **Aletle birlikte verilen ek tutamakları kullanın.** Kontrol kaybı yaralanmalara yol açabilir.
- ▶ **Kullandığınız aletin gizli elektrik hatlarına temas edebileceği yerlerde çalışıyorsanız ek aleti izolasyonlu tutamaklardan tutun.** Elektrik ileten bir hat ile temasta metal parçalar da gerilim altında kalır ve elektrik çarpmasına neden olabilir.



2.3 Keski tabancası ek güvenlik uyarıları

Kişilerin güvenliği

- ▶ Ürün ve aksesuarı sadece teknik açıdan sorunsuz durumdayken kullanınız.
- ▶ Ürün veya aksesuar üzerinde asla manipülasyon veya değişiklik yapılmamalıdır.
- ▶ İmkanlar el verdiği taşıma arabası veya diğer taşıma araçlarını kullanınız. Bir taşıma arabası veya taşıma aracı mevcut değilse, ürün her zaman iki kişi tarafından taşınmalıdır. Taşıma arabası ile birlikte ürünün çok ağır olduğunu dikkate alınız.
- ▶ Tavanda, duvarda ve zeminde kesikleme yaparken güvenli ve sabit bir duruş sağlamaya dikkat ediniz. Ani bir kırma hareketi dengeyi bozabilir!
- ▶ Kırma çalışmalarında, çalışılacak yerin karşı tarafında bulunan bölgeyi emniyete alınız. Kırılan parçalar dışarı ve / veya yere düşebilir ve diğer kişilerin yaralanmasına sebep olabilir.
- ▶ Aletin kullanımı sırasında siz ve yakında bulunan kişilerin bir koruyucu gözlük, koruyucu kask, kulaklık ve hafif solunum koruma maskesi takması gerekir.
- ▶ Taşlama, zımparalama, kesme ve delme işlemleri sonucunda oluşan tozlar tehlikeli kimyasallar içerebilir. Bazı örnekler şunlardır: Kurşun temelli kurşun veya boya; Tuğla, beton ve diğer duvar ürünleri, doğal taş ve diğer silikat içeren ürünler; Meşe, kayın gibi belirli ahşaplar ve kimyasal işlem görmüş ahşap; Asbest veya asbest içerikli malzemeler. Çalışılan malzemenin tehlike sınıfına göre kullanıcının ve çevredeki kişilerin maruziyetini belirleyiniz. Maruziyeti güvenli bir seviyede tutmak için bir toz toplama sisteminin kullanımı veya uygun bir solunum koruma maskesinin kullanımı gibi gerekli önlemleri alınız. Maruziyeti azaltmaya yönelik genel önlemler aşağıdakilerdir:
 - ▶ İyi havalandırılan bir alanda çalışma,
 - ▶ Toz ile uzun süreli temastan kaçınma,
 - ▶ Yüz ve vücuttaki tozları giderme,
 - ▶ Koruyucu kıyafet kullanma ve maruz kalan alanları su ve sabunla yıkama.
- ▶ Alet değişimi sırasında koruyucu eldiven takılmalıdır. Ek alete takılan uçlara dokunmak kesik ve yanık türünde yaralanmalara yol açabilir.
- ▶ Aletlerin ve/veya aksesuarların düşmesi nedeniyle yaralanma tehlikesi. Çalışmaya başlamadan önce akünün monte edilmiş olan aksesuarın emniyetli bir şekilde sabitlenip sabitlenmediğini kontrol ediniz.
- ▶ Havalandırma deliklerini her zaman açık bırakınız. Üzeri kapatılan havalandırma delikleri nedeniyle yanma tehlikesi!
- ▶ Koruyucu gözlük kullanınız. Etrafa sıçrayan malzeme vücudu ve gözleri yaralayabilir.
- ▶ Parmaklarınızdaki kan dolaşımının daha iyi olması için sık sık molalar veriniz ve parmak egzersizleri yapınız. Uzun süren çalışmalarda yüksek titreşim, parmaklar, eller veya bileklerdeki sinir sisteminde veya kan damarlarında rahatsızlıklara neden olabilir.
- ▶ Ürünün her zaman güvenli bir konumda olmasını sağlayın. Ürünü her zaman düz, sabit, titreşimsiz ve darbe almayan bir yüzeyin üzerine yerleştiriniz.

Elektrik güvenliği

- ▶ Çalışmaya başlamadan önce çalışma alanında üzeri örtülü elektrik kablosu, gaz ve su borusu bulunup bulunmadığını kontrol ediniz. Bir elektrik hattına, bir gaz veya su borusuna zarar verilmesi halinde, ürünün dışındaki metal parçalar elektrik çarpmasına veya patlamaya neden olabilir.

Elektrikli el aletleri ile dikkatli çalışılması ve aletin doğru kullanılması

- ▶ Yere koymadan önce elektrikli el aletinin tamamen durmasını bekleyiniz.
- ▶ Ürünü çalışma pozisyonunda çalıştırmaya başlayınız.

2.4 Akülü aletlerin özenli çalıştırılması ve kullanımı

- ▶ **Lityum İyon akülerin kullanılması sırasında aşağıda belirtilen güvenlik uyarılarını dikkate alınız.** Bunlara dikkate alınmaması ciltte tahrişlere, ağır korozif yaralanmalara, kimyasal yanıklara, yangın ve / veya patlamalara neden olabilir.
- ▶ Aküyü sadece teknik olarak kusursuz durumdayken kullanınız.
- ▶ Hasarları önlemek için ve sağlığa ciddi zarar verici sıvıları engellemek için akülere itinalı davranınız!
- ▶ Akülere asla müdahale edilmemeli ve üzerlerinde onarım yapılmamalıdır!
- ▶ Aküler parçalarına ayrılmamalı, ezilmemeli, 80°C (176°F) üzerine ısıtılmamalı veya yakılmamalıdır.
- ▶ Darbeye maruz kalmış veya başka bir hasar görmüş aküleri kullanmayınız. Akülerinizi hasar belirtilerine karşı düzenli olarak kontrol ediniz.
- ▶ Geri dönüştürülmüş veya onarılmış aküleri asla kullanmayınız.
- ▶ Aküyü veya aküyle çalışan bir elektrikli el aletini asla bir şeyi çakmak veya bir şeye vurma için kullanmayınız.



- ▶ Aküleri asla doğrudan güneş ışığına, aşırı sıcaklık, kıvılcım veya açık ateşe maruz bırakmayınız. Bu durum patlamalara neden olabilir.
- ▶ Akünün kutbuna parmaklarınız, aletler, takılar veya diğer elektriksel olarak iletken nesnelere dokunmayınız. Bu durum aküye hasar verebilir, maddi hasarlara ve yaralanmalara neden olabilir.
- ▶ Aküleri yağmurdan, ıslaklıktan ve sıvılardan uzak tutunuz. Akülerin içine nemin girmesi, kısa devrelere, elektrik çarpmalarına, yanıklara, yangına veya patlamalara neden olabilir.
- ▶ Sadece akü tipi için öngörülmüş olan şarj cihazlarını ve elektrikli el aletlerini kullanınız. Bunun için ilgili kullanım kılavuzlarındaki verileri dikkate alınız.
- ▶ Aküyü patlama tehlikesi olan ortamlarda kullanmayınız veya depolamayınız.
- ▶ Akü tutulamayacak kadar sıcaksa arızalı olabilir. Pili, yanıcı malzemelere yeterli mesafede, görünür ve yanıcı olmayan bir yere yerleştiriniz. Aküyü soğumaya bırakınız. Akü bir saat sonra hala dokunulamayacak kadar sıcaksa, arızalı demektir. **Hilti** servisiyle irtibat kurunuz veya "**Hilti** Lityum İyon aküler için güvenlik ve kullanım uyarıları" dokümanını okuyunuz.

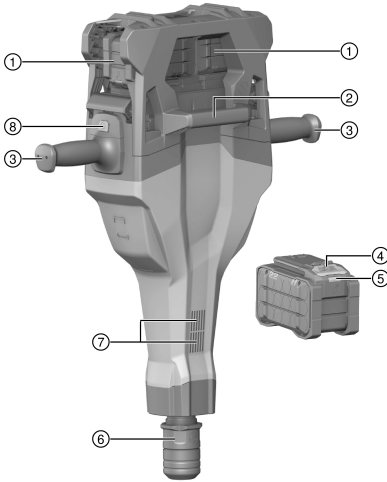


Lityum İyon aküleri taşıma, depolama ve kullanım için geçerli özel yönetmelikleri dikkate alınız.
→ Sayfa 159

Bu kullanım kılavuzunun sonundaki QR kodu tarayarak ulaşabileceğiniz, **Hilti** Lityum İyon aküler için güvenlik ve kullanım uyarılarını okuyunuz.

3 Tanımlama

3.1 Ürüne genel bakış 1



- 1 Aküler
- 2 Taşıma tutamağı
- 3 Tutamaklar
- 4 Akü kilidi açma tuşu
- 5 Akü durum göstergesi
- 6 Alet bağlantı yeri
- 7 Havalandırma delikleri
- 8 Açma/Kapatma şalteri

3.2 Taşıma aracı ve takım çantası B22/C (XL) (opsiyonel) için genel bakış 2

- 1 Tutamak
- 2 Yük emniyeti
- 3 Kavrama kelepçesi
- 4 Akü çantası B22/C (XL) için kilit
- 5 Sarf malzemesi için tutucu (keski)
- 6 Tekerlekler
- 7 Tekerlek emniyeti (disk, kopyıya)
- 8 Makine bağlantı mandreli
- 9 Taşıma tutamağı
- 10 Akü
- 11 Şarj cihazı
- 12 Takım çantası B22/C (XL)

3.3 Usulüne uygun kullanım

Tanımlanan ürün elle kumandalı akülü bir keski tabancasıdır. Beton, duvar ve asfalt yüzeylerdeki kesileme işleri için tasarlanmıştır. Tokmaktama ve kazıma işleri için de kullanılabilir.

Ürün sadece zemin yönünde kullanılabilir.



- Bu ürün için sadece B 22 tip serisi **Hilti** Nuron Lityum İyon aküleri kullanınız. Optimum performans için **Hilti**, bu ürüne yönelik olarak bu kullanım kılavuzunun sonundaki tabloda belirtilen akülerin kullanılmasını önerir.
- Bu aküler için sadece **Hilti** şarj cihazlarının bu kullanım kılavuzunun sonundaki tabloda belirtilen tip serilerini kullanınız.

3.4 Hatalı kullanım

- Ürün nemli ortamlardaki çalışmalarda kullanılmamalıdır.
- Yangın ve patlama tehlikesi olan yerlerde ürünü kullanmayınız.
- Sağlığa zarar verebilecek malzemeler (örn. asbest) üzerinde çalışma yapılmamalıdır.
- Ürünü bir vinç vasıtasıyla taşımayınız.
- Merdiven üzerinde çalışmayınız.
- Ürün duvara yatay çalışma yönünde kullanılmamalıdır.
- Takım bağlama ipleri kullanmayınız.

3.5 Active Vibration Reduction

Üründe opsiyonel olarak titreşimleri önemli ölçüde azaltan Active Vibration Reduction (AVR) sistemi mevcuttur.

3.6 Teslimat kapsamı

Akülü keski tabancası, kullanım kılavuzu, gres

Taşıma aracı ile akü ve şarj cihazı takım çantaları aksesuar olarak sunulmaktadır.

Ürün için izin verilen diğer sistem ürünlerini **Hilti Store**'da veya şu adreste bulabilirsiniz: www.hilti.group

3.7 Lityum İyon akü göstergeleri

Hilti Nuron Lityum İyon aküler şarj durumunu, hata mesajlarını ve akünün durumunu gösterebilir.

3.7.1 Şarj durumu ve hata mesajları göstergeleri

İKAZ

Düşen akü nedeniyle yaralanma tehlikesi!

- ▶ Akü takılıken, kilit açma tuşuna bastıktan sonra, kullandığınız üründe akünün yerine oturduğundan emin olunuz.

Aşağıdaki göstergelerden birini görüntülemek için akünün kilit açma tuşuna kısa süreli basınız.

Bağlı olan ürün açık olduğu sürece, şarj durumu ve olası arızalar da sürekli görüntülenir.

Durum	Anlamı
Dört (4) LED sürekli yeşil yanıyor	Şarj durumu: % 100 ila % 71 arası
Üç (3) LED sürekli yeşil yanıyor	Şarj durumu: % 70 ila % 51 arası
İki (2) LED sürekli yeşil yanıyor	Şarj durumu: % 50 ila % 26 arası
Bir (1) LED sürekli yeşil yanıyor	Şarj durumu: % 25 ila % 10 arası
Bir (1) LED yavaşça yeşil renkte yanıp sönüyor	Şarj durumu: < % 10
Bir (1) LED hızlıca yeşil yanıp sönüyor	Lityum İyon akü tamamen deşarj olmuş. Aküyü şarj ediniz. Akünün şarj işleminden sonra LED hala hızlı yanıp sönüyorsa, lütfen Hilti servisiyle irtibat kurunuz.
Bir (1) LED hızlıca sarı yanıp sönüyor	Lityum İyon akü veya buna bağlı ürün aşırı yüklenmiş, çok sıcak, çok soğuk veya başka bir hata mevcut. Ürünü ve aküyü önerilen çalışma sıcaklığına getiriniz ve kullanırken ürünü aşırı yükte maruz bırakmayınız. Mesaj devam ediyorsa Hilti servisiyle irtibat kurunuz.



Durum	Anlamı
Bir (1) LED sarı yanıyor	Lityum İyon akü ve bağlantılı ürün uyumlu değildir. Lütfen Hilti servisine başvurunuz.
Bir (1) LED hızlıca kırmızı yanıp sönüyor	Lityum İyon akü bloke olmuş ve kullanılamaz. Lütfen Hilti servisine başvurunuz.

3.7.2 Akü durumunun göstergeleri

Akü durumunu sorgulamak için, kilit açma tuşuna üç saniyeden fazla basılı tutunuz. Sistem; düşme, delinme, harici ısı hasarları vb. gibi usulüne uygun olmayan kullanım nedeniyle pilde potansiyel hatalı fonksiyon algılamıyor.

Durum	Anlamı
Tüm LED'ler çalışma ışığı olarak yanıyor ve ardından bir (1) LED sürekli yeşil yanıyor.	Akü kullanımına devam edilebilir.
Tüm LED'ler çalışma ışığı olarak yanıyor ve ardından bir (1) LED hızlıca sarı yanıp sönüyor.	Akünün durumuna ilişkin sorgu tamamlanmadı. İşlemi tekrarlayınız veya Hilti servisiyle irtibat kurunuz.
Tüm LED'ler çalışma ışığı olarak yanıyor ve ardından bir (1) LED sürekli kırmızı yanıyor.	Bağlı bir ürünün kullanımına devam edilebiliyorsa, kalan akü kapasitesi %50'nin altındadır. Bağlı bir ürünün kullanımına devam edilemiyorsa, akünün kullanım ömrü dolmuştur ve akü değiştirilmelidir. Lütfen Hilti servisine başvurunuz.

4 Akülü keski tabancası

	TE 2000-22
EPTA Procedure 01 uyarınca aküsüz ağırlık	17,4 kg
Tek darbe enerjisi (EPTA-Procedure 05)	38,2 J
İşletim sırasındaki ortam sıcaklığı	-17 °C ... 60 °C
Depolama sıcaklığı	-20 °C ... 70 °C

4.1 Akü

Akü çalışma gerilimi	21,6 V
Akü ağırlığı	Bu kullanım kılavuzunun sonuna bakınız
İşletim sırasındaki ortam sıcaklığı	-17 °C ... 60 °C
Depolama sıcaklığı	-20 °C ... 40 °C
Şarj başlangıcında akü sıcaklığı	-10 °C ... 45 °C

4.2 EN 62841 uyarınca ses bilgisi ve titreşim değerleri

Bu talimatlarda belirtilen ses basıncı ve titreşim değerleri, ilgili normlara uygun bir ölçüm metodu ile ölçülmüştür ve elektrikli el aletlerinin birbirleri ile karşılaştırılması için kullanılabilir. Zorlanmaların geçici olarak değerlendirilmesine de uygundur.

Belirtilen değerler, elektrikli el aletinin ana kullanım alanlarını temsil eder. Elektrikli el aletinin, farklı ek aletlerle veya yetersiz bakım yapılmış şekilde kullanılması durumunda, veriler sapma gösterebilir. Bu durum, toplam çalışma süresi boyunca zorlanmayı belirgin şekilde yükseltebilir.

Doğru bir zorlanma değerlendirmesi için aletin kapatıldığı veya çalışır konumda olduğu ve ayrıca kullanımda olmadığı zamanlar da dikkate alınmalıdır. Bu durum, toplam çalışma süresi boyunca zorlanmayı belirgin şekilde azaltabilir.

Kullanıcıyı ses ve/veya titreşimin etkilerinden koruyacak ek güvenlik önlemleri belirleyiniz, örneğin: Elektrikli el aletinin ve ek aletlerin bakımının yapılması, ellerin sıcak tutulması, iş akışlarının düzenlenmesi.

Gürültü bilgileri

Ölçülen ses gücü seviyesi (L_{WA})	98 dB(A)
Ses gücü seviyesi için emniyetsizlik (K_{WA})	3 dB(A)



Emisyon ses basıncı seviyesi (L_{pA})	87 dB(A)
Ses basıncı seviyesi için emniyetsizlik (K_{pA})	3 dB(A)

Toplam titreşim değerleri

Kesikleme ($a_{h, Cheq}$)	B 22-170	3,8 m/sn ²
	B 22-255	3,8 m/sn ²
Emniyetsizlik (K)		1,5 m/sn ²

5 Çalışma hazırlığı

⚠ İKAZ

Yaralanma tehlikesi kazara çalışmaya başlama nedeniyle!

- ▶ Aküleri takmadan önce ilgili ürünün kapalı konumda olduğundan emin olunuz.
- ▶ Cihazın ayarlarını yapmadan veya aksesuarları değiştirmeden önce aküleri çıkartınız.

Bu dokümanda ve ürün üzerinde bulunan güvenlik ve uyarı bilgilerine dikkat ediniz.

5.1 Akülerin şarj edilmesi

1. Şarj etmeden önce şarj cihazının kullanım kılavuzunu okuyunuz.
2. Akü ve şarj cihazının kontaklarının temiz ve kuru olmasına dikkat ediniz.
3. Aküyü izin verilen şarj cihazında şarj ediniz. → Sayfa 154

5.2 Akülerin yerleştirilmesi

⚠ İKAZ

Yaralanma tehlikesi kısa devre veya akünün düşmesi nedeniyle!

- ▶ Aküleri yerleştirmeden önce, akü kontaklarında ve ürün içindeki kontaklarda yabancı cisim bulunmadığından emin olunuz.
 - ▶ Akülerin her zaman doğru şekilde yerine oturduğundan emin olunuz.
1. İlk kullanım öncesinde aküler tamamen şarj edilmelidir.
 2. Aküleri ürünün içine doğru, yerlerine oturduğu işitsel olarak algılanana kadar itiniz.
 3. Akülerin ürünün içine emniyetli bir şekilde yerleşip yerleşmediğini kontrol ediniz.

5.3 Akünün çıkartılması

1. Akünün serbest bırakma düğmelerine basıniz.
2. Aküyü üründen çıkartınız.

6 Kullanım

Bu dokümanda ve ürün üzerinde bulunan güvenlik ve uyarı bilgilerine dikkat ediniz.

6.1 Ek aletin yerleştirilmesi

1. Ek aletin giriş ucunu gresle hafifçe yağlayınız.



Uygun olmayan bir gres kullanılması, üründen hasarlara neden olabilir. **Sadece Hilti marka orijinal gres kullanınız.**

2. Ek aleti alet bağlantı yerine takınız ve hafifçe bastırarak duyulur şekilde yerine oturana kadar döndürünüz.
3. Aleti çekerek güvenli kilitleme durumunu kontrol ediniz.



6.2 Ek aletin çıkarılması 4

DİKKAT

Yaralanma tehlikesi! Ek alet sıcak ve/veya keskin kenarlı olabilir.

- ▶ Ek aleti değiştirirken koruyucu eldiven takınız.
- ▶ Sıcak ek aleti asla yanıcı zeminlere bırakmayınız.

1. Alet kilidini dayanak noktasına kadar geri çekiniz.
2. Ek aleti çıkarınız.

6.3 Kullanım

Bu dokümanda ve ürün üzerinde bulunan güvenlik ve uyarı bilgilerine dikkat ediniz. İşleri tam kapsamlı olarak inşaat bölümüne onaylatınız!

6.3.1 Keskileme

1. Keskiyi istediğiniz pozisyona ayarlayınız.
2. Açma/kapatma şalterine basınız.



Düşük sıcaklıklarda çalışma:

Darbe mekanizması çalışana kadar ürünün minimum bir çalışma sıcaklığına ihtiyacı vardır. Buna erişmek için ürünü kısa bir süre yere koyunuz ve boşta çalıştırınız. Gerekirse darbe mekanizması çalışana kadar bu işlemi tekrarlayınız.

6.3.2 Kapatılması

- ▶ Açma/ kapatma şalterine basınız.

6.3.3 Çalışma uyarıları 5



Keski, 6 farklı konumda (60°'lik kademelerle) ayarlanabilir. Böylece yassı ve kalıp keskiler ile her zaman en uygun çalışma konumunda çalışılabilir.

- ▶ Keskiyi kenara yakl. 80-100 mm (3¹/₈" - 4") mesafede konumlandırınız.
- ▶ Donatı demiri mevcutsa keskiyi her zaman malzeme kenarına karşı konumlandırınız, donatı demirine karşı konumlandırmayınız.
- ▶ Keskileme işlemine, beton üst yüzey ile 90°'lik bir açıyla başlayınız ve ucu kenara doğru yönlendiriniz. Ardından açiyı 70° ile 80°'arasına getiriniz ve malzemeyi kırınız.
- ▶ Keskiyi düzenli şekilde döndürünüz, bu sayede eşit dağılımlı aşınma etkisinin kendi kendini bileme prosesini desteklemesini sağlarsınız.
- ▶ Çok düşük baskı basıncı keskinin sıçramasına neden olur. Çok yüksek baskı basıncı keskileme gücünde azalmaya neden olur.

7 Taşıma aracı ve takım çantası B22/C (XL)

7.1 Taşıma

Taşıma aracı, keski tabancasının tehlikesiz biçimde taşınmasını sağlar.

Takım çantası B22/C (XL) şarj cihazının ve akünün tehlikesiz şekilde taşınmasını sağlar.

- Nakliye aracının sabit bir konumda kalmasını sağlayınız.
- Ürünü öngörülen makine bağlantı mandrenine yerleştiriniz ve taşıma sırasında daima kavrama kelepçesini emniyete alınız.
- Takım çantası B22/C (XL)'yi taşıma aracına yerleştiriniz ve kilitle emniyete alınız.
- Güvenli taşıma yolları kullanmaya dikkat ediniz.
- Nakliye aracını eğimli yüzeyler üzerinde bırakmayınız.
- Taşıma aracını ve takım çantası B22/C (XL)'yi vinç ile taşımayınız.
- Keskileri, yerine oturana kadar öngörülen tutucuya yerleştiriniz.
- Güvenli taşıma yolları kullanmaya dikkat ediniz.



- Nakliye aracını eğimli yüzeyler üzerinde bırakmayınız.
- Taşıma aracını ve takım çantası B22/C (XL)'yi vinç ile taşımayınız.

8 Bakım ve onarım

⚠ İKAZ

Aküler takılıyken yaralanma tehlikesi vardır !

- ▶ Herhangi bir bakım ve onarım çalışmasından önce daima aküleri çıkartınız!

Ürün bakımı

- Yapışmış olan kir dikkatlice çıkarılmalıdır.
- Eğer varsa, havalandırma deliklerini kuru bir fırça ile dikkatlice temizleyiniz.
- Gövde sadece hafif nemli bir bezle temizlenmelidir. Plastik parçalara yapışabileceğinden silikon içerikli bakım maddeleri kullanılmamalıdır.

Lityum İyon akülerin bakımı

- Bir pili asla havalandırma delikleri takılıyken kullanmayınız. Havalandırma deliklerini kuru, yumuşak bir fırça ile dikkatlice temizleyiniz.
- Akünün gereksiz toz veya kire maruz kalmasını önleyiniz. Aküyü asla yüksek neme maruz bırakmayınız (örn. suya daldırma veya yağmurda bırakma). Bir akü ıslandıysa, bu aküye hasarlı akü muamelesi yapınız. Yanmayan bir kabın içinde izole ediniz ve **Hilti** servisiyle irtibat kurunuz.
- Aküyü yağ ve gresten uzak tutunuz. Gereksiz toz veya kirin aküde birikmesini önleyiniz. Aküyü kuru, yumuşak bir fırça veya temiz, kuru bir bezle temizleyiniz. Plastik parçalara yapışabileceğinden silikon içerikli bakım maddeleri kullanmayınız.
- Gövde sadece hafif nemli bir bezle temizlenmelidir. Plastik parçalara yapışabileceğinden silikon içerikli bakım maddeleri kullanılmamalıdır.

Bakım

- Görünür tüm parçalarda hasar olup olmadığı ve kumanda elemanlarının sorunsuz şekilde çalıştığı kontrol edilmelidir.
- Hasar ve/veya fonksiyon arızaları durumunda ürün çalıştırılmamalıdır. Derhal **Hilti** servisi tarafından onarılmalıdır.
- Bakım ve onarım çalışmalarından sonra tüm koruma tertibatları yerleştirilmeli ve fonksiyonları kontrol edilmelidir.



Güvenli çalışma için sadece orijinal yedek parçalar ve sarf malzemeleri kullanınız. Tarafımızdan onaylanmış, yedek parçaları, aksesuarları ve sarf malzemelerini **Hilti Store** veya şu adreste bulabilirsiniz: www.hilti.group.

9 Akülü aletlerin ve akülerin taşınması ve depolanması

Taşıma

⚠ DİKKAT

Taşıma sırasında aletin istem dışı çalışması !

- ▶ Ürünlerinizi her zaman aküler takılı olmadan taşıyınız!
- ▶ Aküleri çıkartınız.
- ▶ Aküleri kesinlikle sıkıca bağlanmamış koruma ile nakletmeyiniz. Nakliye sırasında, aküler aşırı şok ve titreşimlerden korunmalı ve başka akü kutupları ile temas ederek kısa devreye neden olmaları için, her türlü iletken malzeme veya diğer akülerden izole edilmiş olmalıdır. **Aküler için yerel taşıma talimatlarını dikkate alınız.**
- ▶ Aküler posta ile gönderilmemelidir. Hasarsız aküleri sevk etmek istememiz halinde, bir nakliye şirketine başvurunuz.
- ▶ Ürünün ve akülerin hasar görmüş olup olmadığını her kullanımdan önce olduğu gibi uzun taşımaldan önce ve sonra kontrol ediniz.



Depolama**İKAZ****Arızalı veya akan aküler nedeniyle beklenmeyen hasar oluşumu !**

- ▶ Ürünlerinizi her zaman aküleri yerleştirmeden depolayınız!
- ▶ Ürünü ve aküleri serin ve kuru bir yerde muhafaza ediniz. Teknik verilerde belirtilen sıcaklık sınır değerlerini dikkate alınız.
- ▶ Aküleri şarj cihazının üzerinde muhafaza etmeyiniz. Şarj işleminden sonra her zaman aküyü şarj cihazından çıkartınız.
- ▶ Aküleri kesinlikle güneşte, ısı kaynakları üzerinde veya cam arkasında muhafaza etmeyiniz.
- ▶ Ürünü ve aküleri çocukların ve yetkisiz kişilerin ulaşamayacağı yerlerde muhafaza ediniz.
- ▶ Ürünün ve akülerin hasar görmüş olup olmadığını her kullanımdan önce olduğu gibi uzun süreli depolamalardan önce ve sonra kontrol ediniz.

10 Arıza durumunda yardım

Tüm arızalarda akünün şarj durumu ve hata göstergesini dikkate alınız. Bkz. Bölüm **Lityum İyon akü göstergeleri**.


Bu tabloda listelenmemiş veya kendi başınıza gideremediğiniz arızalarda lütfen yetkili **Hilti** servisimiz ile irtibat kurunuz.

Arıza	Olası sebepler	Çözüm
Akü duyulabilir bir "klik" sesi ile yerine oturmuyor.	Akü veya cihaz ara birimindeki kilit tırnakları kirlenmiş.	▶ Kilit tırnaklarını temizleyiniz ve aküleri yeniden yerlerine oturtunuz.
Akü normalden daha hızlı boşalıyor.	Akünün durumu uygun değil.	▶ Akünün durumunu kontrol ediniz. → Sayfa 155
Ürün çalıştırılmıyor.	Sadece bir şarjlı akü takılmış.	▶ İkinci şarjlı aküyü de takınız.
Darbe yok.	Ürün çok soğuk.	▶ Ürünü zemine yerleştiriniz ve rölantide çalıştırınız. Darbe mekanizması çalışmaya kadar gerektiği kadar tekrarlayınız.
Üründe veya aküde yüksek ısı oluşumu.	Elektrik arızası.	▶ Ürünü derhal kapatınız. Aküler çıkarınız ve kontrol ediniz. Akülerin soğumasını bekleyiniz. Hilti servisi ile iletişim kurunuz.
Ürün işletim sırasında kapanıyor veya çalışmıyor	Ürün / aküler çok sıcak veya aküler çok soğuk.	▶ Kapatınız, aletin / akülerin soğumasını bekleyiniz. ▶ Aküler çok soğuk. Aküleri tavsiye edilen çalışma sıcaklığına getiriniz.

11 İmha**İKAZ**

Usulüne uygun olmayan imha nedeniyle yaralanma tehlikesi! Dışarı çıkan gaz ve sıvılar nedeniyle sağlık sorunları.

- ▶ Hasar görmüş aküleri hiç bir şekilde göndermeyiniz!
- ▶ Kısa devreleri önlemek için, akünün bağlantılarını iletken olmayan bir malzeme ile kapatınız.
- ▶ Aküleri, çocukların ellerine geçmeyecek şekilde imha ediniz.
- ▶ Aküyü size en yakın **Hilti Store**'da imha ediniz veya imha etmek için yetkili şirketinize başvurunuz.

 **Hilti** ürünleri yüksek oranda tekrar kullanılabilen malzemelerden üretilmiştir. Geri dönüşüm için gerekli koşul, usulüne uygun malzeme ayrımıdır. Çoğu ülkede **Hilti** eski aletlerini yeniden değerlendirmek üzere geri alır. Bu konuda **Hilti** müşteri hizmetlerinden veya satış temsilcilerinizden bilgi alabilirsiniz.



- ▶ Elektrikli el aletlerini, elektronik cihazları ve aküleri evdeki çöplere atmayınız!



12 Üretici garantisi

- Garanti koşullarına ilişkin sorularınız için lütfen yerel **Hilti** iş ortağınıza başvurunuz.

13 Diğer bilgiler

Kullanım, teknoloji, çevre ve geri dönüşüm hakkında daha fazla bilgi aşağıdaki bağlantıda bulunabilir:
qr.hilti.com/manual/?id=2301751&id=2301753

Bu bağlantıya dokümanın sonunda bulunan QR kodu taratarak da ulaşabilirsiniz.



دليل الاستعمال الأصلي

1 بيانات المستند

1.1 حول هذا المستند

- اقرأ هذه المستندات بالكامل قبل التشغيل. يعتبر هذا شرطا للعمل بشكل آمن والاستخدام بدون اختلالات.
- تراعى إرشادات الأمان والإرشادات التحذيرية الواردة في هذا المستند وعلى الجهاز.
- احتفظ بدليل الاستعمال دائما مع المنتج، ولا تعطي الجهاز لآخرين إلا مرفقا بهذا الدليل.

2.1 شرح العلامات

1.2.1 إرشادات تحذيرية

تنبه الإرشادات التحذيرية إلى الأخطار الناشئة عند التعامل مع الجهاز. يتم استخدام الكلمات الدلالية التالية:



خطر !

◀ تشير لخطر مباشر يؤدي لإصابات جسدية خطيرة أو إلى الوفاة.



تحذير !

◀ تشير لخطر محتمل قد يؤدي لإصابات جسدية خطيرة أو إلى الوفاة.



احترس !

◀ تشير لموقف خطر محتمل يمكن أن يؤدي لإصابات جسدية أو أضرار مادية.

2.2.1 الرموز في دليل الاستعمال

يتم استخدام الرموز التالية في دليل الاستعمال هذا:

يُرَاعَى دليل الاستعمال	
إرشادات الاستخدام ومعلومات أخرى مفيدة	
التعامل مع مواد قابلة لإعادة التدوير	
لا تتخلص من الأجهزة الكهربائية البطاريات ضمن القمامة المنزلية	
Hilti بطارية أيونات الليثيوم	
Hilti جهاز الشحن	

3.2.1 الرموز في الصور

تستخدم الرموز التالية في الرسوم التوضيحية:

2	تشير هذه الأعداد إلى الصورة المعنية في بداية دليل الاستعمال هذا.
3	ترقيم الصور يمثل ترتيب خطوات العمل في الصور، وقد يختلف عن ترقيم خطوات العمل في النص.
11	يتم استخدام أرقام المواضع في صورة العرض العام وهي تشير إلى أرقام تعليق الصورة في فصل عرض عام للمنتج.
	هذه العلامة من شأنها أن تثير انتباهك جيداً عند التعامل مع المنتج.



3.1 الرموز المرتبطة بالمنتج

1.3.1 الرموز على المنتج

قد تكون الرموز التالية مستخدمة على المنتج:

يُحظر النقل بالرافعة	
يُدعم المنتج تقنية NFC المتوافقة مع أنظمة التشغيل iOS و Android.	
بطارية أيونات الليثيوم	Li-Ion
لا تستخدم البطارية أبداً كمطرقة.	
لا تدع البطارية تسقط. لا تستخدم بطارية تعرضت لصدمات أو أي نوع آخر من التلفيات.	

4.1 معلومات المنتج

منتجات **حيتا** مصممة للمستخدمين المحترفين ويقصر استعمالها وصيانتها وإصلاحها على الأشخاص المعتمدين والمدربين جيداً. هؤلاء الأشخاص يجب أن يكونوا قد تلقوا تدريباً خاصاً على الأخطار الطارئة. قد يتسبب الجهاز وأدواته المساعدة في حدوث أخطار إذا تم التعامل معها بشكل غير سليم فنياً من قبل أشخاص غير مدربين أو تم استخدامها بشكل غير مطابق للتعليمات. يوجد مسمى الطراز والرقم المسلسل على لوحة الصنع.

انقل الرقم المسلسل في الجدول التالي. ستحتاج إلى بيانات المنتج في حالة الاستفسارات الموجهة إلى ممثلينا أو مركز الخدمة.

بيانات المنتج

الإزميل الدقاق	TE 2000-22
الجيل	01
الرقم المسلسل	

5.1 بيان المطابقة

تعلن الجهة الصانعة على مسؤوليتها وحدها بأن المنتج المشروح هنا يتوافق مع التشريعات والمعايير المعمول بها. تجد صورة لبيان المطابقة في نهاية هذا المستند.

المستندات الفنية محفوظة هنا:

Hilti Entwicklungsgesellschaft mbH | Zulassung Geräte | Hiltistraße 6 | 86916 Kaufering, DE

2 السلامة

1.2 إرشادات السلامة العامة المتعلقة بالأدوات الكهربائية

⚠ تحذير احرص على قراءة جميع إرشادات السلامة، التوجيهات، الصور التوضيحية والمواصفات الفنية المرفقة مع هذه الأداة الكهربائية. أي تقصير أو إهمال في الالتزام بالتعليمات التالية قد يتسبب في حدوث صعق كهربائي، نشوب حريق و/أو وقوع إصابات خطيرة.

احتفظ بجميع مستندات إرشادات السلامة والتعليمات لاستخدامها عند الحاجة إليها فيما بعد.

يقصد بمصطلح «الأداة الكهربائية» المذكور في إرشادات السلامة الأدوات الكهربائية المشغلة بالكهرباء (باستخدام كابل الكهرباء) أو الأدوات الكهربائية المشغلة بالبطاريات (بدون كابل الكهرباء).

سلامة مكان العمل

- حافظ على نطاق عملك نظيفاً ومضاءً بشكل جيد. الفوضى أو أماكن العمل غير المضاءة يمكن أن تؤدي لوقوع حوادث.
- لا تعمل بالأداة الكهربائية في محيط معرض لخطر الانفجار يتواجد به سوائل أو غازات أو أنواع غبار قابلة للاشتعال. الأدوات الكهربائية تولد شرراً يمكن أن يؤدي لإشعال الغبار والأبخرة.
- احرص على إبعاد الأطفال والأشخاص الآخرين أثناء استخدام الأداة الكهربائية. في حالة انصراف انتباهك قد تفقد السيطرة على الجهاز.



السلامة الكهربائية

- ◀ يجب أن يكون قابس توصيل الأداة الكهربائية متلائماً مع المقبس. لا يجوز تعديل القابس بأي حال من الأحوال. لا تستخدم قوايس مهايأة مع أدوات كهربائية ذات وصلة أرضي محمية. القوايس غير المعدلة والمقابس الملائمة تقلل من خطر حدوث صدمة كهربائية.
- ◀ تجنب حدوث تلامس للجسم مع أسطح مؤرضة مثل الأسطح الخاصة بالمواسير وأجهزة التدفئة والمواقد والثلاجات. ينشأ خطر متزايد من حدوث صدمة كهربائية عندما يكون جسمك متصلاً بالأرض.
- ◀ أبعد الأدوات الكهربائية عن الأمطار أو البلى. تسرب الماء إلى داخل الأداة الكهربائية يزيد من خطر حدوث صدمة كهربائية.
- ◀ لا تستخدم كابل التوصيل لحمل الأداة الكهربائية أو تعليقها أو لسحب القابس من المقبس. احتفظ بكابل التوصيل بعيداً عن السخونة والزيت والمواف الماددة والأجزاء المتحركة. كابلات التوصيل التالفة أو المتشابكة تزيد من خطر حدوث صعق كهربائي.
- ◀ عندما تعمل بأداة كهربائية في مكان مكشوف، فلا تستخدم سوى كابلات الإطالة المناسبة للعمل في النطاق الخارجي. استخدام كابل إطالة مناسب للعمل في النطاق الخارجي يقلل من خطر حدوث صعق كهربائي.
- ◀ إذا تعذر تجنب تشغيل الأداة الكهربائية في محيط رطب، فاستخدم مفتاح حماية من تسرب التيار. استخدام مفتاح الحماية من تسرب التيار يقلل خطر حدوث صدمة كهربائية.

سلامة الأشخاص

- ◀ كن يقظاً وانتبه لما تفعل وتعامل مع الأداة الكهربائية بتعقل عند العمل بها. لا تستخدم الأداة الكهربائية عندما تكون متعباً أو تحت تأثير المخدرات أو الكحوليات أو العقاقير. فقد يتسبب عدم الانتباه للحظة واحدة أثناء الاستخدام في حدوث إصابات بالغة.
- ◀ ارتد تجهيزات وقاية شخصية وارتد دائماً نظارة واقية. ارتداء تجهيزات وقاية شخصية، مثل قناع الوقاية من الغبار وأحذية الأمان المضادة للانزلاق وخوذة الوقاية أو واقى السمع، تبعاً لنوع واستخدام الأداة الكهربائية، يقلل من خطر الإصابات.
- ◀ تجنب التشغيل بشكل غير مقصود. تأكد أن الأداة الكهربائية مطفاة قبل توصيلها بالكهرباء و/أو بالبطارية وقبل رفعها أو حملها. إذا كان إصبعك على المفتاح عند حمل الأداة الكهربائية أو كان الجهاز في وضع التشغيل عند التوصيل بالكهرباء، فقد يؤدي ذلك لوقوع حوادث.
- ◀ أبعد أدوات الضبط أو مفاتيح ربط البراغي قبل تشغيل الأداة الكهربائية. الأداة أو المفتاح المتواجد في جزء دوار من الجهاز يمكن أن يؤدي لحدوث إصابات.
- ◀ تجنب اتخاذ وضع غير طبيعي للجسم. احرص على أن تكون واقفاً بأمان وحافظ على توازنك في جميع الأوقات. من خلال ذلك تستطيع السيطرة على الأداة الكهربائية بشكل أفضل في المواقف المفاجئة.
- ◀ ارتد ملابس مناسبة. لا ترتد ملابس فضفاضة أو حلي. احرص على أن يكون الشعر والملابس والقفازات بعيدة عن الأجزاء المتحركة. الملابس الفضفاضة أو الحلي أو الشعر الطويل يمكن أن تشبك في الأجزاء المتحركة.
- ◀ إذا أمكن تركيب تجهيزات شطف وتجميع الغبار، فتأكد أنها موصلة ومستخدمة بشكل سليم. استخدام تجهيزة شطف الغبار يمكن أن يقلل الأخطار الناتجة عن الغبار.
- ◀ لا تعتقد بأنك في مأمن عن الخطر ولا تتجاهل تحذيرات السلامة المعنية للأدوات الكهربائية، حتى وإن كنت على دراية بالأداة الكهربائية بعد تكرار استخدامها. التعامل مع الجهاز بدون حذر قد يؤدي إلى وقوع إصابات بالغة في جزء من الثانية.

استخدام الأداة الكهربائية والتعامل معها

- ◀ لا تفرط في التحميل على الجهاز. استخدم الأداة الكهربائية المناسبة للعمل الذي تقوم به. استخدام الأداة الكهربائية المناسبة يتبع لك العمل بشكل أفضل وأكثر أماناً في نطاق العمل المقرر.
- ◀ لا تستخدم أداة كهربائية ذات مفتاح تالف. الأداة الكهربائية التي لم يعد يمكن تشغيلها أو إطفائها تمثل خطورة ويجب إصلاحها.
- ◀ اسحب القابس من المقبس و/أو اخلع البطارية القابلة للخلع من الجهاز قبل إجراء عمليات الضبط، أو استبدال أجزاء الملحقات أو عند ترك الجهاز. هذا الإجراء الوقائي يمنع بدء تشغيل الأداة الكهربائية دون قصد.
- ◀ احتفظ بالأدوات الكهربائية غير المستخدمة بعيداً عن متناول الأطفال. لا تسمح باستخدام الجهاز من قبل أشخاص ليسوا على دراية به أو لم يقرأوا هذه التعليمات. الأدوات الكهربائية خطيرة في حالة استخدامها من قبل أشخاص ليست لديهم الخبرة الواجبة.
- ◀ اعتني جيداً بالأدوات الكهربائية والملحقات. افحص الأجزاء المتحركة من حيث أداؤها لوظيفتها بدون مشاكل وعدم انحصارها وافحصها من حيث وجود أجزاء مكسورة أو متعرضة للضرر يمكن أن تؤثر



- سلبا على وظيفة الأداة الكهربائية. اعمل على إصلاح الأجزاء التالفة قبل استخدام الجهاز. الكثير من الحوادث مصدرها الأدوات الكهربائية التي تم صيانتها بشكل ردي.
- حافظ على أدوات القطع حادة ونظيفة. تتميز أدوات القطع ذات حواف القطع المادة المعتنى بها بدقة بأنها أقل عرضة للتعثُر وأسهل في التعامل.
- استخدم الأداة الكهربائية والملحقات وأدوات العمل وخلافه طبقا لهذه التعليمات. احرص في هذه الأثناء على مراعاة اشتراطات العمل والمهمة المراد تنفيذها. استخدام الأدوات الكهربائية في تطبيقات غير تلك المقررة لها يمكن أن يؤدي لمواقف خطيرة.
- حافظ على المقابض ومواضع المسك في حالة جافة ونظيفة وخالية من الزيت والشحم. المقابض ومواضع المسك الانزلاقية تحول دون استعمال الأداة الكهربائية والتحكم بها بشكل آمن في المواقف غير المتوقعة.

استخدام الأداة العاملة بالبطارية والتعامل معها

- لا تشحن البطارية إلا في أجهزة شحن موصى بها من قبل الجهة الصانعة. بالنسبة لجهاز الشحن المناسب لنوع معين من البطاريات، ينشأ خطر الحريق عند استخدامه مع بطاريات أخرى.
- لا تضع في الأدوات الكهربائية سوى البطاريات المخصصة لها. استخدام بطاريات أخرى يمكن أن يؤدي لوقوع إصابات وخطر الحريق.
- أبعد البطارية غير المستخدمة عن مشابك الورق وقطع النقود المعدنية والمفاتيح والمسامير والبراغي أو الأشياء المعدنية الصغيرة الأخرى التي يمكن أن تتسبب في توصيل الملامسين لبعضهما. حدوث قفلة كهربائية بين أطراف توصيل البطارية يمكن أن ينتج عنه حدوث حروق أو نشوب حريق.
- عند الاستخدام بشكل خاطئ يمكن أن يتسرب سائل من البطارية. تجنب ملامسته. اشطفه بالماء في حالة ملامسته عن طريق الخطأ. إذا وصل السائل للعينين، فتوجه للطبيب علاوة على ذلك. سائل البطارية المتسرب يمكن أن يؤدي لتبيح البشرة أو حدوث حروق.
- لا تستخدم بطارية تالفة أو مختلفة. البطاريات التالفة أو المختلفة قد تتفاعل مع نفسها بشكل غير متوقع مما يؤدي لنشوب حريق أو حدوث انفجار أو وقوع إصابات.
- لا تعرض البطارية للنار أو لدرجات حرارة مرتفعة للغاية. حيث قد تؤدي النار ودرجات الحرارة الزائدة عن 130 م° (265 ف°) إلى حدوث انفجار.
- الترم بكافة التعليمات المعنية بالشحن، ولا تقم أبدا بشحن البطارية أو الأداة العاملة بالبطارية خارج نطاق درجة الحرارة الوارد ذكره في دليل التشغيل. الشحن بشكل خاطئ أو خارج نطاق درجة الحرارة المسموح به قد يتلف البطارية ويزيد من خطر الحريق.

الخدمة

- اعمل على إصلاح أدواتك الكهربائية على أيدي فنيين معتمدين فقط والاقصر على استخدام قطع الغيار الأصلية. وبذلك تتأكد من الحفاظ على سلامة الجهاز.
- لا تقم أبدا بصيانة البطاريات التالفة. يجب أن تتم جميع أعمال الصيانة بمعرفة الجهة الصانعة فقط أو من خلال مراكز خدمة العملاء المعتمدين.

2.2 إرشادات السلامة الخاصة بالمطابق

إرشادات السلامة لجميع الأعمال

- استخدم واقيا للسمع. لذا يرجى مراعاة أن الضجيج الصاخب يمكن أن يُفقد القدرة على السمع.
- استخدم المقابض الإضافية الموردة مع الجهاز. فقدان السيطرة يمكن أن يؤدي لوقوع إصابات.
- أمسك الجهاز من مواضع المسك المعزولة عند إجراء أعمال يحتمل فيها أن تتلامس أداة الشغل مع أسلاك كهربائية مخفية. حيث أن ملامسة سلك يسري فيه التيار الكهربائي يمكن أن ينقل الجهد الكهربائي للأجزاء المعدنية بالجهاز ويؤدي لحدوث صدمة كهربائية.

3.2 إرشادات السلامة الإضافية المتعلقة بالإزميل الدقاق

سلامة الأشخاص

- اقتصر على استخدام المنتج والملحقات وهم في حالة سليمة من الناحية الفنية.
- لا تقم أبداً بتدخلات أو تغييرات على المنتج أو الملحقات.
- استخدم قدر الإمكان العربة الناقلة أو أية وسيلة نقل أخرى. ينبغي دائما حمل المنتج عن طريق شخصين في حالة عدم توفر عربة ناقلة أو وسيلة نقل. يُرعى أن المنتج بالإضافة إلى العربة الناقلة يمثل وزنا كبيرا.
- يجب مراعاة الوقوف بشكل ثابت وآمن عند النقر بالإزميل في الأسقف والجدران والأرضيات. الاختراق المفاجئ يمكن أن يتسبب في إخلال توازنك!



- ◀ أثناء أعمال الثقب قم بتأمين النطاق الواقع على الجهة المقابلة للعمل. الشظايا المتناثرة يمكن أن تتطاير و/أو تسقط وتصيب الآخرين.
- ◀ احرص أنت والأشخاص الواقفون بالقرب منك أثناء تشغيل المنتج على ارتداء نظارة واقية وخوذة حماية وواق للأذنين وكمامة خفيفة.
- ◀ يمكن أن يحتوي الغبار الناتج عن التليخ والسفرة والقطع والثقب على مواد كيميائية خطرة. بعض الأمثلة: الرصاص أو الدهانات التي تحتوي على الرصاص، القرميد والخرسانة ومنتجات البناء الأخرى وأحجار البناء الطبيعية والمنتجات الأخرى المحتوية على السيليكات، بعض الأخشاب مثل البلوط والزان والأخشاب المعالجة كيميائياً، الأسبستوس أو الخامات المحتوية على الأسبستوس. قم بتحديد مدى تعرض المستخدم والأشخاص المحيطين لفترة خطر الغامات التي يجري العمل عليها. اتخذ التدابير اللازمة للحفاظ على مدى التعرض في مستوى آمن، على سبيل المثال، استخدام نظام تجميع الغبار أو ارتداء كمامة مناسبة للتنفس. تشمل التدابير العامة للحد من مدى التعرض ما يلي:
 - ◀ العمل في نطاق جيد التهوية،
 - ◀ تجنب ملامسة الغبار لفترة طويلة،
 - ◀ إزالة الغبار عن الوجه والجسم،
 - ◀ ارتداء بزة واقية وغسل المناطق المكشوفة بالماء والصابون.
- ◀ قم بارتداء قفازا واقيا أثناء تغيير الأدوات. ملامسة أداة الشغل قد تؤدي لوقوع إصابات بجروح قطعية وإصابة بحروق.
- ◀ خطر الإصابة من جراء سقوط الأدوات و/أو الملحقات. تأكد قبل بدء العمل أن البطارية والملحقات المُرَكبة مثبتة بشكل آمن.
- ◀ احتفظ بفتحات التهوية مكشوفة دائماً. خطر حدوث حرائق بسبب فتحات التهوية المغطاة!
- ◀ استخدم واقياً للعينين. الشظايا المتطايرة يمكن أن تصيب الجسم والعينين.
- ◀ خذ قسطاً من الراحة بشكل متكرر و قم بتمارين استرخاء لسريان الدم في الأصابع بشكل أفضل. عند القيام بأعمال لفترات طويلة، فقد تحدث اضطرابات في الأوعية الدموية أو الجهاز العصبي بسبب كثرة الاهتزازات على الأصابع أو الأيدي أو معصم اليد.
- ◀ تأكد دائماً من وجود المنتج في وضع آمن. اضبط المنتج دائماً على سطح مستو وثابت وخال من الاهتزازات.

السلامة الكهربائية

- ◀ قبل بدء الأعمال افحص نطاق العمل من حيث وجود توصيلات كهربائية مدفونة أو مواسير للغاز والماء. الأجزاء المعدنية الخارجية بالمنتج يمكن أن تتسبب في صدمة كهربائية أو انفجار، إذا قمت بإتلاف إحدى توصيلات التيار أو ماسورة الغاز أو الماء.

الاستخدام والتعامل بعناية مع الأدوات الكهربائية

- ◀ قبل التخزين انتظر إلى أن تتوقف الأداة الكهربائية تماما.
- ◀ اقتصر على تشغيل المنتج في وضع العمل فقط.

4.2 التعامل بعناية مع الأجهزة العاملة بالبطاريات واستخدامها

- ◀ احرص على مراعاة إرشادات السلامة التالية للتعامل والاستخدام الآمن لبطاريات أيونات الليثيوم. وعدم مراعاة ذلك قد يؤدي إلى حدوث تهيجات للبشرة، إصابات آكلة بالغة، حروق كيميائية، حرائق و/ أو انفجارات.
- ◀ اقتصر على استخدام البطاريات وهي في حالة سليمة من الناحية الفنية.
- ◀ احرص على التعامل مع البطاريات بعناية لتجنب وقوع أضرار ومنع تسرب السوائل التي قد تضر بالصحة بصورة كبيرة!
- ◀ لا يجوز بأي حال من الأحوال تعديل البطاريات أو العبث بها!
- ◀ لا يجوز تفكيك البطاريات أو سحقها أو وضعها في درجة حرارة أعلى من 80°م (176°ف) أو حرقها.
- ◀ لا تقم باستخدام أو شحن بطاريات تعرضت لصدمة أو أي نوع آخر من الأضرار. افحص البطاريات بشكل دوري بحثاً عن علامات التلف.
- ◀ لا تقم مطلقاً باستخدام بطاريات مُعاد تدويرها أو التي تم إصلاحها.
- ◀ لا تستخدم أبداً البطارية أو أية أداة كهربائية مشغلة بالبطارية كمطرقة.
- ◀ لا تقم مطلقاً بتعرض البطاريات لأشعة الشمس المباشرة أو درجات الحرارة المرتفعة أو تولد الشرر أو اللهب المكشوف. فقد يؤدي ذلك إلى حدوث انفجارات.
- ◀ لا تلمس أقطاب البطارية بأصابعك، أدوات، حُلَي أو أية أشياء أخرى موصلة للكهرباء. فقد يؤدي ذلك إلى إلحاق الضرر بالبطارية وحدوث أضرار مادية والإصابات.
- ◀ احتفظ بالبطاريات بعيداً عن الأمطار والبلل والسوائل. فالرطوبة المتسربة قد تتسبب في حدوث قفلات كهربائية، صدمات كهربائية، حرائق وانفجارات.



- اقتصر على استخدام الشواحن والأدوات الكهربائية المقررة لهذه البطارية. يلزم مراعاة المعلومات الواردة في دليل الاستعمال المعني.
- لا تقم باستخدام أو تخزين البطارية في المناطق المعرضة لخطر الانفجار.
- في حالة سخونة الشديدة للبطارية بحيث يتعذر الإمساك بها، فقد تكون تالفة. احرص على وضع البطارية في مكان مرئي وغير قابل للاشتعال مع وجود مسافة كافية من الخامات القابلة للاشتعال. اترك البطارية تبرد. إذا ظلت البطارية ساخنة بعد مرور ساعة لدرجة تعذر لمسها، فهذا يعني أنها تالفة. توجه إلى مركز خدمة Hilti أو اقرأ المستند "إرشادات لسلامة واستخدام بطاريات أيونات الليثيوم Hilti".

احرص على مراعاة اللوائح الخاصة التي تسري على نقل وتخزين واستخدام بطاريات أيونات الليثيوم.

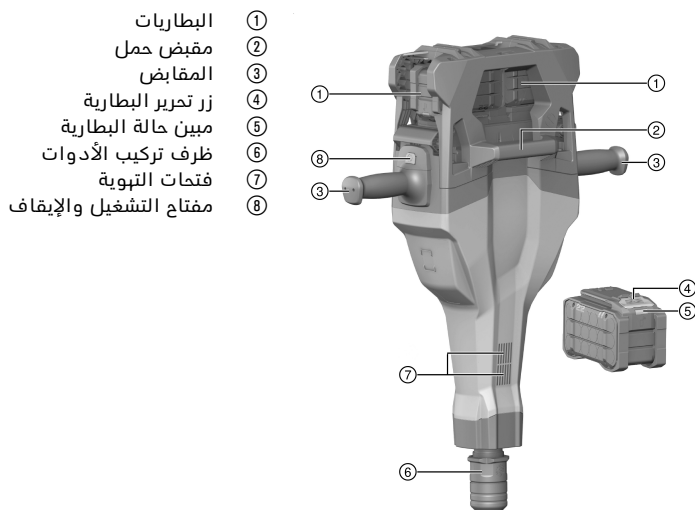


← صفحة 172

اقرأ إرشادات سلامة واستخدام بطاريات أيونات الليثيوم Hilti، التي يمكنك العثور عليها عن طريق مسح كود الاستجابة السريعة الموجود في نهاية دليل الاستعمال هذا.

3 الشرح

1.3 نظرة عامة على المنتج 1



- 1 البطاريات
- 2 مقبض حمل
- 3 المقابض
- 4 زر تحرير البطارية
- 5 مبيّن حالة البطارية
- 6 طرف تركيب الأدوات
- 7 فتحات التهوية
- 8 مفتاح التشغيل والإيقاف

2.3 عرض عام للعبة الناقله والحقيبة B22C (XL) (تجهيز اختياري) 2

- | | | | |
|---|------------------------------|----|--------------------------------------|
| 1 | المقبض | 7 | وسيلة تأمين العجلة (قرص، تيلة خابور) |
| 2 | واقية العمولة | 8 | طرف تركيب الماكينة |
| 3 | مشبك التثبيت | 9 | مقبض حمل |
| 4 | قفل حقيبة البطارية B22C (XL) | 10 | البطارية |
| 5 | حامل لأدوات الشغل (الأزاميل) | 11 | جهاز الشحن |
| 6 | العجلات | 12 | الحقيبة B22C (XL) |

3.3 الاستخدام المطابق للتعليمات

المنتج المشروح عبارة عن إزميل دقاق عامل بالبطارية يستعمل يدويًا. وهو مخصص للنقر بالإزميل في الخرسانة والجدران والأسفلت. ويمكن استخدامه أيضًا للدك والنقب. لا يجوز تشغيل المنتج إلا في اتجاه الأرضية.

- اقتصر مع هذا المنتج على استخدام بطاريات أيونات الليثيوم Hilti Nuron من النوع B 22. لضمان مستوى نموذجي للقدرة، توصي Hilti باستخدام البطاريات المذكورة في نهاية دليل الاستعمال هذا مع هذا المنتج.



- اقتصر مع هذه البطاريات على استخدام شواحن Hilti من الأنواع المذكورة في نهاية دليل الاستعمال هذا.

4.3 استخدام خاطئ

- لا يجوز استخدام المنتج لإجراء أعمال في محيط رطب.
- لا تستخدم المنتج في مكان مُعرض لخطر الحريق والانفجار.
- يحظر التعامل مع المواد الخطيرة على الصحة (مثل الأسبستوس).
- لا تنقل المنتج باستخدام رافعة.
- لا تقم بإجراء الأعمال وأنت واقف على سُلّم.
- لا يجوز استخدام المنتج في اتجاه عمل أفقي بالنسبة للجدار.
- لا تستخدم أحزمة تثبيت الأدوات.

5.3 Active Vibration Reduction

المنتج مجهو بنظام Active Vibration Reduction (AVR) والذي يقوم بخفض الاهتزازات بشكل ملحوظ.

6.3 مجموعة التجيزات الموردة

الإزميل الدقاق العامل بالبطارية، دليل الاستعمال، الشمع تتوفر العربة الناقلة وحقيبة البطاريات والشاحن كملحقات. تجد المزيد من منتجات النظام المسموع بها للمنتج الخاص بك لدى متجر **Hilti Store** أو على موقع الإنترنت: www.hilti.group

7.3 بيانات بطارية أيونات الليثيوم

يمكن لبطاريات أيونات الليثيوم Hilti Nuron عرض حالة الشحن وبلاغات الأخطاء وحالة البطارية.

1.7.3 عرض حالة الشحن وبلاغات الأخطاء



خطر الإصابة بسبب سقوط البطارية!

- بينما البطارية مركبة، تأكد بعد الضغط على زر التحرير أنك قمت بإعادة تثبيت البطارية بشكل صحيح في المنتج المُستخدم.

لكي يتسنى الحصول على أحد البيانات التالية، اضغط لوهلة قصيرة على زر تحرير البطارية. وأيضًا يتم باستمرار عرض حالة الشحن وكذلك الاختلالات المُحتملة طوال فترة تشغيل المنتج الموصّل.

الحالة	الاستعمال
تضيء أربع لمبات LED (4) باستمرار باللون الأخضر	حالة الشحن: 100 % إلى 71 %
تضيء ثلاث لمبات LED (3) باستمرار باللون الأخضر	حالة الشحن: 70 % إلى 51 %
تضيء لمبة LED (2) باستمرار باللون الأخضر	حالة الشحن: 50 % إلى 26 %
تضيء لمبة LED واحدة (1) باستمرار باللون الأخضر	حالة الشحن: 25 % إلى 10 %
تومض لمبة LED واحدة (1) ببطء باللون الأخضر	حالة الشحن: > 10 %
تومض لمبة LED واحدة (1) بسرعة باللون الأخضر	بطارية أيونات الليثيوم فارغة الشحنة تمامًا. اشحن البطارية. إذا استمر وميض لمبة LED بسرعة بعد شحن البطارية، توجه إلى مركز خدمة Hilti.
تومض لمبة LED واحدة (1) بسرعة باللون الأصفر	هناك تمثيل زائد على بطارية أيونات الليثيوم أو المنتج المرتبط بها أو بهما سخونة زائدة أو برودة زائدة أو بهما خطأ آخر. اعمل على توفير درجة حرارة العمل الموصى بها للمنتج وللبطارية، واحرص على ألا يتعرض المنتج للتحميل الزائد عند استخدامه. إذا استمر وجود البلاغ، توجه إلى مركز خدمة Hilti.



الحالة	الاستعمال
تضيء لمبة LED واحدة (1) باللون الأصفر	بطارية أيونات الليثيوم والمنتج المرتبط بها ليسا متوافقين. يُرجى التوجه إلى مركز خدمة Hilti.
تومض لمبة LED واحدة (1) بسرعة باللون الأحمر	تم تعطيل بطارية أيونات الليثيوم ولا يمكن مواصلة استخدامها. يُرجى التوجه إلى مركز خدمة Hilti.

2.7.3 عرض حالة البطارية

للاستفسار عن حالة البطارية، احتفظ بزر التمرير مضغوطاً لمدة تزيد على ثلاث ثوانٍ. لا يكتشف النظام أي عطل محتمل في البطارية بسبب سوء الاستخدام، على سبيل المثال السقوط أو الثقب أو الأضرار الخارجية بفعل الحرارة، وما إلى ذلك

الحالة	الاستعمال
تضيء جميع لمبات LED كخط إضاءة متتابع، وبعد ذلك تضيء لمبة LED واحدة (1) باستمرار باللون الأخضر.	لا يزال من الممكن استخدام البطارية.
تضيء جميع لمبات LED كخط إضاءة متتابع، وبعد ذلك تومض لمبة LED واحدة (1) بسرعة باللون الأصفر.	تعذر إتمام الاستعلام عن حالة البطارية. كرر العملية أو توجه إلى مركز خدمة Hilti.
تضيء جميع لمبات LED كخط إضاءة متتابع، وبعد ذلك تضيء لمبة LED واحدة (1) باستمرار باللون الأحمر.	إذا كان لا يزال من الممكن استخدام منتج موصل، تكون قدرة البطارية المتبقية أقل من 50%. إذا لم يعد من الممكن استخدام منتج موصل، فهذا يعني أن البطارية في نهاية عمرها الافتراضي ويجب تغييرها. يُرجى التوجه إلى مركز خدمة Hilti.

4 الإزميل الدقاق العامل بالبطارية

الوزن حسب EPTA Procedure 01 بدون البطارية	TE 2000-22
17.4 كجم	
طاقة الطرق الفردي (EPTA-Procedure 05)	38.2 جول
درجة الحرارة المحيطة أثناء التشغيل	17° م ... 60° م
درجة حرارة التخزين	20° م ... 70° م

1.4 البطارية

جدد تشغيل البطارية	21.6 فلت
وزن البطارية	انظر نهاية هذا الدليل
درجة الحرارة المحيطة أثناء التشغيل	17° م ... 60° م
درجة حرارة التخزين	20° م ... 40° م
درجة حرارة البطارية عند بدء الشحن	10° م ... 45° م

2.4 قيم الضوضاء والاهتزاز طبقاً للمواصفة EN 62841

تم قياس ضغط الصوت وقيم الاهتزاز الواردة في هذا الدليل طبقاً لأحد معايير القياس المحددة ويمكن الاستعانة بها في إجراء مقارنة بين الأدوات الكهربائية مع بعضها البعض. وهي مناسبة أيضاً لتقدير حجم المخاطر بصورة أولية.

المواصفات الواردة تتعلق بالاستخدامات الأساسية للأداة الكهربائية. أما إذا تم استخدام الأداة الكهربائية في تطبيقات أخرى مع أدوات شغل مخالفة للمواصفات أو دون صيانة كافية، ففي هذه الحالة قد تختلف المواصفات. وقد يزيد هذا من نسبة المخاطر طوال مدة العمل بصورة واضحة.

وللحصول على تقدير دقيق لحجم المخاطر ينبغي أيضاً مراعاة الأوقات التي يتم فيها إيقاف الجهاز أو التي يتم فيها تشغيل الجهاز ولكن دون استخدام حقيقي. وقد يقلل هذا من نسبة المخاطر طوال مدة العمل بصورة واضحة. احرص على اتخاذ إجراءات إضافية للسلامة من شأنها حماية المستخدم من تأثير الضجيج وأو الاهتزازات مثل: صيانة الأداة الكهربائية وأدوات الشغل والمفاظ على الأيدي في حالة دافئة وتنظيم مراحل العمل.



معلومات الضجيج

98 ديسيبل (A)	قياس مستوى شدة الصوت (L_{WA})
3 ديسيبل (A)	نسبة التفاوت لمستوى شدة الصوت (K_{WA})
87 ديسيبل (A)	مستوى ضغط الصوت المنبعث (L_{pA})
3 ديسيبل (A)	نسبة التفاوت لمستوى ضغط الصوت (K_{pA})

قيم الاهتزاز الإجمالية

3.8 م/ثانية ²	B 22-170	النقر بالإزميل ($a_{h, Choc}$)
3.8 م/ثانية ²	B 22-255	
1.5 م/ثانية ²		نسبة التفاوت (K)

5 التحضير للعمل

تحذير

خطر الإصابة من خلال التشغيل غير المقصود!

- تأكد قبل تركيب البطاريات أن المنتج ذا الصلة متوقف.
- اخلع البطارية قبل إجراء إعدادات الجهاز أو تغيير أجزاء الملحقات.

تراجع إرشادات الأمان والإرشادات التحذيرية الواردة في هذا المستند وعلى الجهاز.

1.5 شحن البطاريات

- قبل الشحن، قم بقراءة دليل استعمال جهاز الشحن.
- احرص على أن تكون أطراف تلامس البطارية وجهاز الشحن نظيفة وجافة.
- قم بشحن البطارية باستخدام شاحن مصرح به. ← صفحة 167

2.5 تركيب البطاريات

تحذير

خطر الإصابة من خلال قفلة كهربائية أو سقوط البطارية!

- تأكد قبل تركيب البطاريات أن أطراف التوصيل للبطاريات وأطراف التوصيل بالمنتج خالية من أية أجسام غريبة.
- تأكد دائماً من التثبيت الصحيح للبطاريات.
- اشحن البطاريات لآخرها تماماً قبل التشغيل لأول مرة.
- أدخل البطاريات في المنتج، إلى أن تثبت بصوت مسموع.
- افحص البطاريات من حيث تثبيتها بشكل آمن.

3.5 خلع البطارية

- اضغط على زر تحرير البطارية.
- اسحب البطارية من المنتج.

6 الاستعمال

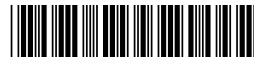
تراجع إرشادات الأمان والإرشادات التحذيرية الواردة في هذا المستند وعلى الجهاز.

1.6 تركيب أداة الشغل

- قم بتزليق طرف إدخال أداة الشغل قليلاً.

قد يؤدي استخدام شحم غير مناسب إلى تعرض المنتج للضرر. اقتصِر على استخدام الشحم الأصلي من Hilti.

- قم بتركيب أداة التقليل في ظرف تركيب الأدوات وأدره مع الضغط الخفيف عليه حتى يثبت في موضعه بصوت مسموع.
- اختبر مدى إحكام القفل من خلال شد الأداة.



2.6 فك أداة الشغل

⚠️ احترس:

- خطر الإصابة! قد تكون أداة الشغل ساخنة و/أو حادة الحواف.
- ارتد قفازات واقية عند تغيير أداة الشغل.
- لا تقم أبداً بوضع أداة الشغل الساخنة على أرضيات قابلة للاشتعال.

1. قم بإرجاع وسيلة تأمين الأداة حتى النهاية.
2. قم بفك أداة الشغل.

3.6 الاستعمال

تراجعى إرشادات الأمان والإرشادات التحذيرية الواردة في هذا المستند وعلى الجهاز. يتعين الحصول على تصريح من إدارة المنشأة بإجراء الأعمال كاملة.

1.3.6 النقر بالإزميل

1. قم بتركيب الإزميل في الوضع المرغوب.
2. اضغط على مفتاح التشغيل/الإيقاف.

إجراء أعمال في درجات الحرارة المنخفضة:

يحتاج المنتج للوصول إلى حد أدنى من درجة حرارة التشغيل حتى يعمل الطارق. وللوصول إلى الحد الأدنى هذا، ضع الجهاز على الأرضية لفترة قصيرة ودعه يعمل على الوضع الممايد. عند اللزوم، كرر هذه العملية إلى أن يعمل الطارق.

2.3.6 الإيقاف

- اضغط على مفتاح التشغيل/الإيقاف.

3.3.6 إرشادات العمل

يمكن ضبط الإزميل على 6 أوضاع مختلفة (في خطوات مقدار كل منها 60 درجة). وبذلك يمكن دائما العمل بالإزميل المفلطح وإزميل التشكيل في وضع العمل المثالي المناسب.

- ضع الإزميل على مسافة حوالي 80-100 مم (3%-4 بوصة) من الحافة.
- في حالة قضبان حديد التسليح، قم دائماً بتوجيه الإزميل جهة حافة الغامة وليس جهة قضيب حديد التسليح.
- ابدأ عملية النقر بالإزميل بزواوية مقدراها 90° بالنسبة لسطح الخرسانة و قم بتوجيه سن الإزميل جهة الحافة. بعد ذلك، حرك الزاوية باتجاه 70° إلى 80° و قم بتكسير الغامة.
- أدر الإزميل بصورة منتظمة، نظراً لأن التآكل المتساوي يساعد في عملية الشد الذاتي.
- الضغط الضئيل للغاية يؤدي إلى حدوث قفزات للإزميل. الضغط الزائد للغاية يؤدي إلى تقليل قدرة الإزميل.

7 العربية الناقلة والحقيبة B22/C (XL)

1.7 النقل

- تضمن العربية الناقلة نقل الإزميل الدقاق بدون مخاطر.
- تعلم الحقيبة B22/C (XL) على تأمين عملية النقل الخالية من المخاطر لجهاز الشحن والبطارية.
- اعمل على توفير وضع مستقر للعربة الناقلة.
- ضع المنتج على طرف مرتكز الماكينة المخصص لذلك، واحرص دائماً على تأمين المنتج أثناء نقله بواسطة مشبك التثبيت.
- اضبط الحقيبة B22/C (XL) على العربية الناقلة و قم بتأمينها باستخدام القفل.
- تحقق من أمان طرق النقل.
- احرص ألا تتوقف العربية الناقلة على أسطح مائلة.
- لا تقم بنقل العربة الناقلة أو الحقيبة B22/C (XL) باستخدام رافعة.
- أدخل الإزميل في الحامل المخصص له حتى يثبت.



- تحقق من أمان طرق النقل.
- احرص ألا تتوقف العربة الناقلة على أسطح مائلة.
- لا تقم بنقل العربة الناقلة أو الحقيبة B22/C (XL) باستخدام رافعة.

8 العناية والصيانة

تحذير

خطر الإصابة عند تركيب البطاريات !

احرص دائماً على خلع البطاريات قبل جميع أعمال العناية والإصلاح!

العناية بالمنتج

- قم بإزالة الاتساخ الملتصق بحرص.
- في حالة وجودها، قم بتنظيف فتحات التهوية بحرص باستخدام فرشاة جافة.
- نظف جسم الجهاز باستخدام قطعة قماش مبللة بعض الشيء. لا تستخدم مواد عناية تحتوي على السيليكون لما قد تتسبب فيه من الإضرار بالأجزاء البلاستيكية.

العناية ببطاريات أيونات الليثيوم

- لا تقم مطلقاً باستخدام بطارية ذات فتحات تهوية مسدودة. قم بتنظيف فتحات التهوية بحرص باستخدام فرشاة جافة وناعمة.
- تجنب تعريض البطارية للغبار أو الاتساخات دون داع. لا تقم مطلقاً بتعرض البطارية للرطوبة المرتفعة (على سبيل المثال، غمرها في الماء أو تركها تحت الأمطار).
- في حالة بلل البطارية، تعامل معها كبطارية تالفة. اعزل البطارية في وعاء غير قابل للاشتعال وتوجه إلى مركز خدمة Hilti.
- حافظ على البطارية خالية من الزيوت والشحوم. لا تسمح للغبار أو الاتساخات بالتراكم دون داع على البطارية. قم بتنظيف البطارية باستخدام فرشاة جافة وناعمة أو قطعة قماش نظيفة وجافة.
- لا تستخدم مواد عناية متوتية على سيليكون، نظراً لأنها قد تؤدي إلى تلف الأجزاء البلاستيكية.
- نظف جسم الجهاز باستخدام قطعة قماش مبللة بعض الشيء. لا تستخدم مواد عناية تحتوي على السيليكون لما قد تتسبب فيه من الإضرار بالأجزاء البلاستيكية.

الصيانة

- افحص جميع الأجزاء المرئية من حيث وجود أضرار وافحص عناصر الاستعمال من حيث كفاءتها الوظيفية.
- في حالة وجود أضرار وأو اختلالات وظيفية لا تقم بتشغيل المنتج. احرص على الفور على إصلاحه لدى مركز خدمة Hilti.
- بعد أعمال العناية والإصلاح قم بتركيب جميع تجهيزات الحماية وافحصها من حيث الأداء الوظيفي.

للتشغيل الآمن اقتصِر على استخدام قطع الغيار الأصلية و خامات الشغل. تجد قطع الغيار وخامات الشغل والملحقات المصراع بها من قبلنا للمنتج الخاص بك في متجر **Hilti Store** أو على موقع الإنترنت: www.hilti.group

9 نقل وتخزين أدوات الشغل العاملة ببطارية والبطاريات

النقل

احترس:

التشغيل غير مقصود عند النقل !

- قم بنقل المنتج دائماً بدون البطاريات!
- اخلع البطارية/البطاريات.
- لا تقم بنقل البطاريات بكميات كبيرة. ينبغي أثناء النقل حماية البطاريات من الاصطدام العنيف والاهتزازات، وكذلك عزلها عن أية مواد موصلة للكهرباء أو أية بطاريات أخرى، وذلك حتى لا تتلامس مع أقطاب بطاريات أخرى ومن ثم حدوث قفلة كهربائية. احرص على مراعاة تعليمات النقل المحلية للبطاريات.
- لا يجوز إرسال البطاريات عن طريق البريد. توجه إلى شركة شحن، إذا كنت ترغب في إرسال بطاريات غير تالفة.
- افحص المنتج والبطاريات من حيث وجود أضرار قبل كل استخدام وقبل وبعد النقل لمسافة طويلة.




أضرار غير مقصودة بسبب البطاريات التالفة أو التي بها تسريب!

- ◀ قم بتخزين المنتج دائماً بدون البطاريات!
- ◀ احرص على تخزين المنتج والبطاريات في مكان بارد وجاف. احرص على مراعاة القيم الحدية لدرجات الحرارة الواردة في المواصفات الفنية.
- ◀ لا تمتص بالبطاريات على جهاز الشحن. قم دائماً بإزالة البطارية من الشاحن بعد انتهاء عملية الشحن.
- ◀ لا تقم أبداً بتخزين البطاريات تحت أشعة الشمس أو في مصادر الحرارة أو خلف الزجاج.
- ◀ احرص على تخزين المنتج والبطاريات والاحتفاظ به بعيداً عن تناول الأطفال والأشخاص غير المصرح لهم.
- ◀ افصص المنتج والبطاريات من حيث وجود أضرار قبل كل استخدام وقبل وبعد التخزين لفترة طويلة.

10 المساعدة في حالات الاختلالات

في حالات حدوث الاختلالات، قم بمراقبة بيان حالة الشحن وبيان الأخطاء للبطارية. انظر الفصل **بيانات بطارية أيونات الليثيوم**.
 عند حدوث اختلالات غير مذكورة في الجدول أو يتعذر عليك معالجتها بنفسك، فيرجى التوجه إلى مركز خدمة Hilti.

الخلل	السبب المحتمل	الحل
البطارية لا تثبت بصوت «طقطقة» مسموع.	يوجد اتساخ بطرف تثبيت البطارية أو واجهة للجهاز.	◀ قم بتنظيف أطراف التثبيت وتركيب البطاريات مجدداً.
شحنة البطارية تفرغ بشكل أسرع من المعتاد.	حالة البطارية ليست مثالية.	◀ استفسر عن حالة البطارية. ← صفحة 168
المنتج لا يبدأ في العمل.	تم تركيب بطارية مشحونة واحدة فقط.	◀ قم بتركيب البطارية المشحونة الثانية.
لا يتولد طرق.	المنتج بارد للغاية.	◀ ضع المنتج على الأرضية ودعه يدور على الوضع المعاكس. عند اللزوم كرر هذه العملية حتى يعمل الطارق.
تنشأ سخونة شديدة في المنتج أو البطارية.	عطل كهربائي.	◀ قم بإيقاف المنتج على الفور. اخلع البطاريات وراقبها جيداً. دعها حتى تبرد. اتصل بخدمة Hilti.
المنتج يتوقف أثناء التشغيل أو لا يبدأ في العمل	المنتج/البطاريات ساخنة للغاية أو البطاريات باردة للغاية.	◀ أوقف الجهاز، دع الجهاز/البطاريات حتى تبرد. ◀ البطارية باردة للغاية. اعمل على توفير درجة حرارة العمل الموصى بها للبطارية.

11 التكبين


- خطر الإصابة من جراء التكبين غير المطابق للتعليمات! خطر على الصحة من جراء الغازات والسوائل المتسربة.**
- ◀ لا تقم بإرسال أو توريد بطاريات تالفة!
 - ◀ قم بتغطية التوصيلات باستخدام مادة غير موصلة للكهرباء وذلك لتجنب حدوث قفلات كهربائية.
 - ◀ تخلص من البطاريات بحيث لا تصل إلى تناول الأطفال.
 - ◀ تخلص من البطارية لدى متجر **Hilti Store** أو توجه إلى مركز التخلص من النفايات المختص.

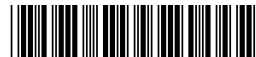
منتجات **Hilti** مصنوعة بنسبة كبيرة من مواد قابلة لإعادة التدوير. يشترط إعادة التدوير أن يتم فصل الغامات بشكل سليم فنياً. في كثير من الدول تقوم **Hilti** باستعادة جهازك القديم لإعادة الانتفاع به. توجه بأسئلتك لخدمة عملاء **Hilti** أو لمستشار المبيعات.

◀ لا تعلق الأدوات الكهربائية، الأجهزة الإلكترونية والبطاريات ضمن القمامة المنزلية!



◀ في حالة وجود أية استفسارات بخصوص شروط الضمان، يرجى التوجه إلى وكيل Hilti المحلي الذي تتعامل معه.

تجد مزيداً من المعلومات حول الاستعمال والتقنية والبيئة وإعادة التدوير تحت الرابط التالي:
qr.hilti.com/manual/?id=2301751&id=2301753
تجد هذا الرابط أيضاً في نهاية المستند ككود QR.



オリジナル取扱説明書

1 文書について

1.1 本書について

- ご使用前に本書をすべてお読みください。このことは、安全な作業と問題のない取扱いのための前提条件となります。
- 本書および製品に記載されている安全上の注意と警告表示に注意してください。
- 取扱説明書は常に製品とともに保管し、他の人が使用する場合には、製品と取扱説明書を一緒にお渡しください。

1.2 記号の説明

1.2.1 警告表示

警告表示は製品の取扱いにおける危険について警告するものです。以下の注意喚起語が使用されています：



危険

危険！

- ▶ この表記は、重傷あるいは死亡事故につながる危険性がある場合に注意を促すために使われます。



警告

警告！

- ▶ この表記は、重傷あるいは死亡事故につながる可能性がある場合に注意を促すために使われます。



注意

注意！

- ▶ この表記は、身体の負傷あるいは物財の損傷が発生する可能性がある場合に使われます。

1.2.2 取扱説明書の記号

この取扱説明書では、以下の記号が使用されています：

	取扱説明書に注意してください
	本製品を効率良く取り扱うための注意事項や役に立つ情報
	リサイクル可能な部品の取扱い
	電動工具およびバッテリーを一般ゴミとして廃棄してはなりません
	Hilti Li-Ion バッテリー
	Hilti 充電器

1.2.3 図中の記号

図中では以下の記号が使用されています：

	この数字は本取扱説明書冒頭にある該当図を示しています。
3	付番は図中の作業手順の順序に対応していて、本文の作業手順とは一致しない場合があります。
	概要図には項目番号が付されていて、製品概要セクションの凡例の番号に対応しています。
	この記号は、製品の取扱いの際に特に注意が必要なことを示しています。



1.3 製品により異なる記号

1.3.1 製品に表示されている記号

製品には以下の記号が使用されている場合があります：

	クレーンによる搬送禁止
	本製品は、iOS および Android プラットフォームと互換性のある NFC テクノロジーをサポートしています。
Li-Ion	Li-Ionen バッテリー
	バッテリーは決して打撃工具として使用しないでください。
	バッテリーは落下させないでください。ぶついたり、あるいはその他の理由で損傷しているバッテリーは使用しないでください。

1.4 製品情報

HILTI 製品はプロ仕様で製作されており、その使用、保守、修理を行うのは、認定を受けトレーニングされた人のみに限ります。これらの人は、遭遇し得る危険に関する情報を入手していなければなりません。製品およびアクセサリの使用法を知らない者による誤使用、あるいは規定外の使用は危険です。機種名および製造番号は銘板に表示されています。

▶ 製造番号を以下の表に書き写しておいてください。ヒルティ代理店やサービスセンターへお問い合わせの際には、製品データが必要になります。

製品データ

電動ハツリ機	TE 2000-22
製品世代	01
製造番号：	

1.5 適合宣言

製造者は、単独の責任において本書で説明している製品が有効な法規と有効な標準規格に適合していることを宣言します。適合宣言書の複写は本書の末尾にあります。

技術資料は本書の後続の頁に記載されています：

Hilti Entwicklungsgesellschaft mbH | Zulassung Geräte | Hiltistraße 6 | 86916 Kaufering, DE

2 安全

2.1 電動工具の一般安全注意事項

⚠ 警告事項 本電動工具に付属のすべての安全上の注意、指示事項、図、および製品仕様をお読みください。以下の指示を守らないと、感電、火災および / または重傷事故の危険があります。

安全上の注意および指示事項が書かれた説明書はすべて大切に保管してください。

安全上の注意で使用する用語「電動工具」とは、お手持ちの電動ツール（電源コード使用）またはバッテリーツール（コードレス）を指します。

作業環境に関する安全

- ▶ 作業場はきれいに保ち、十分に明るくしてください。ちらかった暗い場所での作業は事故の原因となります。
- ▶ 爆発の危険性のある環境（可燃性液体、ガスおよび粉じんのある場所）では電動工具を使用しないでください。電動工具から火花が飛散し、粉じんや揮発性ガスに引火する恐れがあります。
- ▶ 電動工具の使用で、子供や無関係者を作業場へ近づけないでください。作業中に気がそらされると、本体のコントロールを失ってしまう恐れがあります。

電気に関する安全注意事項

- ▶ 電動工具の接続プラグは電源コンセントにきちんと適合しなければなりません。プラグは絶対に変更しないでください。保護接地した電動工具と一緒にアダプタープラグを使用しないでください。オリジナルのプラグと適切なコンセントを使用することにより、感電の危険を小さくすることができます。
- ▶ パイプ、ラジエーター、電子レンジ、冷蔵庫などのアースされた面に体の一部が触れないようにしてください。体が触れると感電の危険が大きくなります。



- ▶ 電動工具を雨や湿気から保護してください。電動工具に水が浸入すると、感電の危険が大きくなります。
- ▶ 電動工具を持ち運んだり、吊り下げたり、コンセントからプラグを抜いたりするときは、必ず本体を持ち、電源コードを持って引張ったりしないでください。電源コードを火気、オイル、鋭利な刃物、可動部に触れる場所に置かないでください。電源コードが損傷したり絡まったりしていると、感電の危険が大きくなります。
- ▶ 屋外工事の場合には、必ず屋外専用の延長コードを使用してください。屋外専用の延長コードを使用すると、感電の危険が小さくなります。
- ▶ 湿った場所で電動工具を作業させる必要がある場合は、漏電遮断器を使用してください。漏電遮断器を使用すると、感電の危険が小さくなります。

作業者に関する安全

- ▶ 電動工具を使用の際には、油断せずに十分注意し、常識をもった作業をおこなってください。疲れている場合、薬物、医薬品服用およびアルコール飲用による影響下にある場合には電動工具を使用しないでください。電動工具使用中の一瞬の不注意が重傷の原因となることがあります。
- ▶ 個人用保護具および保護メガネを常に着用してください。負傷の危険を低減するために、電動工具の使用状況に応じた粉じんマスク、耐滑性の安全靴、ヘルメット、耳栓などの個人用保護具を着用してください。
- ▶ 電動工具の意図しない始動を防止して下さい。電動工具を電源および / またはバッテリーに接続する前や本体を持ち上げたり運んだりする前に、本体がオフになっていることを必ず確認してください。オン / オフスイッチが入っている状態で電動工具のスイッチに指を掛けたまま運んだり、電源に接続したりすると、事故の原因となる恐れがあります。
- ▶ 電動工具のスイッチを入れる前に、必ず調節キーやレンチを取り外してください。調節キーやレンチが本体の回転部に装着されたままでは、けがの原因となる恐れがあります。
- ▶ 作業中は不安定な姿勢をとらないでください。足元を安定させ、常にバランスを保つようにしてください。これにより、万一電動工具が異常状況に陥った場合にも、適切な対応が可能となります。
- ▶ 作業に適した作業着を着用してください。だぶだぶの衣服や装身具を着用しないでください。髪、衣服、手袋を本体の可動部に近づけないでください。だぶだぶの衣服、装身具、長い髪が可動部に巻き込まれる恐れがあります。
- ▶ 吸じんシステムの接続が可能な場合には、これらのシステムが適切に接続、使用されていることを確認してください。吸じんシステムを利用することにより、粉じん公害を防げます。
- ▶ 電動工具の取扱いに熟練している場合にも、正しい安全対策を遵守し、電動工具に関する安全規則を無視しないでください。不注意な取扱いは、ほんの一瞬で重傷事故を招くことがあります。

電動工具の使用および取扱い

- ▶ 無理のある使用を避けてください。作業用途に適した電動工具を使用してください。適切な電動工具の使用により、効率よく、スムーズかつ安全な作業が行えます。
- ▶ スイッチが故障している場合には、電動工具を使用しないでください。スイッチで始動および停止操作のできない電動工具は危険ですので、修理が必要です。
- ▶ 本体の設定やアクセサリーの交換を行う前や本体を保管する前には電源プラグをコンセントから抜き、および / または脱着式のバッテリーを取り外してください。この安全処置により、電動工具の意図しない始動を防止することができます。
- ▶ 電動工具をご使用にならない場合には、子供の手の届かない場所に保管してください。電動工具に関する知識のない方、本説明書をお読みでない方による本体のご使用は避けてください。未経験者による電動工具の使用は危険です。
- ▶ 電動工具とアクセサリーは慎重に手入れしてください。可動部分が引っ掛かりなく正常に作動しているか、電動工具の運転に影響を及ぼす各部分が破損・損傷していないかを確認してください。電動工具をご使用になる前に、損傷部分の修理を依頼してください。事故の多くは保守管理の不十分な電動工具の使用が原因となっています。
- ▶ 先端工具は鋭利で汚れない状態を保ってください。お手入れのゆきとどいた先端工具を使用すると、作業が簡単かつ、スムーズになります。
- ▶ 電動工具、アクセサリー、先端工具などは、それらの説明書に記載されている指示に従って使用してください。その際は、作業環境および用途についてもご注意ください。指定された用途以外に電動工具を使用すると危険な状況をまねく恐れがあります。
- ▶ グリップとグリップ面は乾燥した清潔な状態に保ち、オイルやグリスの付着がないようにしてください。グリップやグリップ面が滑りやすい状態になっていると、予期していない状況が発生した際に電動工具を安全に使用 / 制御できません。

バッテリー工具の使用および取扱い

- ▶ バッテリーを充電する場合は、必ずメーカー推奨の充電器を使用してください。特定タイプのバッテリー専用の充電器を他のバッテリーに使用すると、火災の恐れがあります。
- ▶ 電動工具には、必ず指定されたバッテリーを使用してください。指定以外のバッテリーを使用すると、負傷や火災の恐れがあります。



- ▶ 使用されていないバッテリーの近くに、事務用クリップ、硬貨、キー、釘、ネジ、その他の小さな金属物を置かないでください。電気接点の短絡が起こることがあります。バッテリーの電気接点間が短絡すると、火傷や火災が発生する危険があります。
- ▶ 正しく使用しないと、液漏れが発生することがあります。その場合、漏れた液には触れないでください。もしも触れてしまった場合は、水で洗い流してください。バッテリー液が眼に入った場合は、水で洗い流してから医師の診察を受けてください。流出したバッテリー液により、皮膚が刺激を受けたり火傷を負う恐れがあります。
- ▶ 損傷したあるいは変更が加えられたバッテリーは使用しないでください。損傷したあるいは変更が加えられたバッテリーは、予測不可能な挙動により爆発あるいは負傷事故を発生させる危険があります。
- ▶ バッテリーは火気あるいは高温に曝さないでください。火気あるいは 130 °C (265 °F) を超える高温は、爆発の原因となることがあります。
- ▶ 充電に関するすべての指示事項に従い、バッテリーあるいはバッテリー工具は、決して取扱説明書に記載された温度範囲外で充電しないでください。正しくない充電あるいは許容温度範囲外での充電により、バッテリーが破壊され火災が発生する危険があります。

サービス

- ▶ 電動工具の修理は必ず認定サービスセンターにお申し付けください。また、必ず純正部品を使用してください。これにより電動工具の安全性が確実に維持されます。
- ▶ 損傷したバッテリーは決して手入れや保守を行わないでください。バッテリーの保守作業はすべて、メーカーあるいは権限のあるお客様サービスセンターが行うものとします。

2.2 ハンマーに関する安全上の注意

すべての作業に関する安全上の注意

- ▶ 耳栓を着用してください。騒音により、聴覚に悪影響が出る恐れがあります。
- ▶ 本体と一緒に納品された補助ハンドルを使用してください。これ以外のハンドルを使用すると、コントロールを失ってけがをする恐れがあります。
- ▶ 先端工具が隠れた電線に接触する可能性のある作業を行う場合は、必ず本体の絶縁されたグリップを持ってください。通電しているケーブルと接触すると、本体の金属部分にも電圧がかかり、感電の危険があります。

2.3 電動ハツリ機のその他の安全上の注意

作業に関する安全

- ▶ 本製品とアクセサリーは、必ず技術的に問題のない状態で使用してください。
- ▶ 本製品あるいはアクセサリーには、決して加工や改造を加えないでください。
- ▶ 可能であれば、搬送ワゴンあるいはその他の搬送具を使用してください。本製品は、搬送ワゴンあるいは搬送具を使用できない場合は常に 2 人の人員により搬送するようにしてください。本製品と搬送ワゴンの合計重量はかなり重くなることに注意してください。
- ▶ 天井、壁および床のハツリ作業の際には、足元がしっかりと安定していることを確認してください。足場が突然に壊れると、バランスを失う危険があります！
- ▶ 剥がし作業の場合には、作業側と反対の領域を保護してください。剥がれた部分が脱落、落下して他の人を負傷させる危険があります。
- ▶ 本製品の使用中は、作業者および現場で直近に居合わせる人々は、アイシールド、保護ヘルメット、耳栓、および防じんマスクを着用しなければなりません。
- ▶ 研磨、紙やすり研磨、切断および穿孔の際に発生する粉じんは、化学物質を含んでいる場合があります。これには、鉛、あるいは鉛ベースの塗料、レンガ、コンクリートおよびその他の壁用資材、自然石およびその他の珪酸塩含有製品、樫、樺などの特定の木材、および化学処理の施された木材、アスベストあるいはアスベストが含まれる母材、などが考えられます。作業対象の資材の危険等級により、作業者および周囲の人員の曝露を確認してください。曝露を安全なレベルに維持するために、粉じん吸引システムの使用、あるいは適切な防じんマスクの着用などの必要な処置を取ってください。曝露の低減のための一般的な処置としては、以下のようなものがあります：
 - ▶ 十分に換気された領域での作業
 - ▶ 粉じんと長時間の接触の回避
 - ▶ 粉じんを顔や体から遠ざける
 - ▶ 保護服を着用し、水と石鹼で曝露領域を洗浄する
- ▶ 先端工具の交換時には保護手袋を着用してください。先端工具に触れると、切創事故や火傷の原因となることがあります。
- ▶ 落下する先端工具および / またはアクセサリーによる負傷の危険。作業を開始する前に、バッテリーおよび取り付けられたアクセサリーが確実に固定されていることを確認してください。
- ▶ 通気溝は常にふさがないようにしてください。通気溝が覆われることによる火傷の危険！



- ▶ アイシールドを着用してください。破片が身体の一部、眼などを傷つけることもあります。
- ▶ 頻繁に休憩を取って、指を動かして血行を良くするように心がけてください。長時間作業の際には、強い振動により指、手あるいは手首の関節の血管あるいは神経系に障害が発生する可能性があります。
- ▶ 本製品は常に安定した場所に置くよう、十分注意してください。本製品は常に、水平で安定した、振動のない場所に置くようにしてください。

電気に関する安全注意事項

- ▶ 作業を開始する前に、作業領域に埋設された電線、ガス管や水道管がないかを調査してください。電線、ガス管あるいは水道管を損傷すると、本製品外側の金属部分での感電事故、あるいは爆発が発生する可能性があります。

電動工具の慎重な取扱いおよび使用

- ▶ 電動工具は停止するまで置かないでください。
- ▶ 本製品の電源は必ず作業場で入れてください。

2.4 バッテリーの慎重な取扱いおよび使用

- ▶ **Li-Ion** バッテリーの安全な取扱いと使用のために、以下の安全上の注意を遵守してください。これを守らないと、皮膚の炎症、重篤な腐食負傷、化学火傷、火災および / あるいは爆発の原因となることがあります。
- ▶ バッテリーは、必ず技術的に問題のない状態で使用してください。
- ▶ 損傷を防止して健康にとってきわめて危険なバッテリー液の漏出を防ぐため、バッテリーは慎重に取り扱ってください！
- ▶ バッテリーは決して改造したり手を加えたりしないでください！
- ▶ バッテリーを分解したり、挟んだり、80°C (176°F) 以上に加熱したり、燃やしたりしないでください。
- ▶ ぶつかけたり、あるいはその他の損傷を受けたバッテリーは、使用したり充電したりしないでください。バッテリーは、損傷の痕跡がないか定期的に点検してください。
- ▶ リサイクルあるいは修理されたバッテリーは、決して使用しないでください。
- ▶ バッテリーまたはバッテリー式電動工具は、決して打撃工具として使用しないでください。
- ▶ バッテリーは、決して直射日光、高温、火花の発生、裸身に曝さないでください。これを守らないと、爆発の原因となることがあります。
- ▶ バッテリーの電極に、指、工具、装身具あるいはその他の導電性のある物体で触れないようにしてください。これを守らないと、バッテリーの損傷、物財の損傷および負傷の原因となることがあります。
- ▶ バッテリーを雨、湿気、液体から保護してください。バッテリー内に湿気が入り込むと、短絡、感電、火傷、火災あるいは爆発の原因となることがあります。
- ▶ 必ずご使用のバッテリータイプ用に指定された充電器と電動工具を使用してください。これについては、充電器や電動工具の取扱説明書の記述を確認してください。
- ▶ バッテリーは、爆発の可能性がある場所で使用あるいは保管しないでください。
- ▶ バッテリーが掴むことのできないほどに熱くなっている場合は、故障している可能性があります。バッテリーを、目視確認が可能で可燃物のない場所に、可燃性の資材から十分な距離を設けて置いてください。バッテリーを冷ます。1時間の経過後にも掴むことのできないほどに熱い場合は、そのバッテリーは故障している可能性があります。Hilti サービスセンターにご連絡いただくか、あるいは「Hilti の Li-Ion バッテリーの安全と使用についての注意事項」をお読みください。

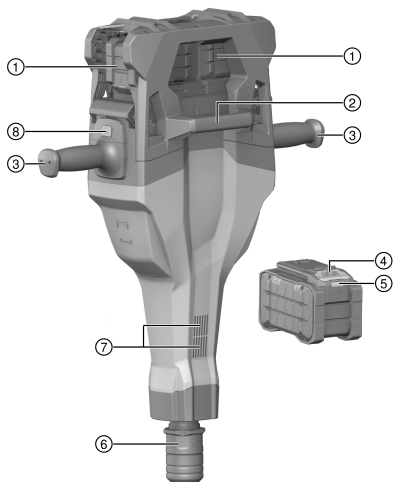


Li-Ion バッテリーの搬送、保管および使用に適用される特別の規則を遵守してください。→ 頁 185
 本取扱説明書巻末の QR コードをスキャンして、Hilti の Li-Ion バッテリーの安全と使用についての注意事項をお読みください。



3 製品の説明

3.1 製品概要 1



- ① バッテリー
- ② キャリンググリップ
- ③ グリップ
- ④ バッテリーリリースボタン
- ⑤ バッテリーステータス表示
- ⑥ チャック
- ⑦ 通気溝
- ⑧ ON/OFF スイッチ

3.2 搬送ワゴンおよび本体ケース B22C (XL) (オプション) の概要 2

- ① グリップ
- ② 積載固定具
- ③ 固定フレーム
- ④ バッテリーケース B22C (XL) のロック
- ⑤ 消耗品 (チゼル) 用ホルダー
- ⑥ 車輪
- ⑦ 車輪ロック機構 (ディスク、割ピン)
- ⑧ 工具位置決めピン
- ⑨ キャリンググリップ
- ⑩ バッテリー
- ⑪ 充電器
- ⑫ 本体ケース B22C (XL)

3.3 正しい使用

本書で説明している製品は、手持ち式のバッテリーハツリ機です。本製品は、コンクリート、石材およびアスファルトへのハツリ作業用の工具です。締固め (タンピング) および溝掘りにも使用できます。本製品は、床面方向にのみ使用することができます。

- 本製品には、必ずHilti Nuron の B 22 シリーズの Li-Ion バッテリーを使用してください。最適な出力を得るため、Hilti は本製品に対して本取扱説明書の巻末の表に記載されているバッテリーをお勧めします。
- これらのバッテリーには、必ず本取扱説明書の巻末の表に記載されているシリーズのHilti の充電器を使用してください。

3.4 誤った使用

- 本製品は、湿気が多い環境での作業には使用できません。
- 火災や爆発の恐れがあるような状況では、本製品を使用しないでください。
- 健康を損なう危険のある物質 (アスベストなど) に使用してはなりません。
- 本製品をクレーンで搬送しないでください。
- 梯子上で作業してはなりません。
- 本製品は、壁面に対して水平な作業方向で使用してはなりません。
- 工具保持ロープを使用しないでください。



3.5 Active Vibration Reduction

本製品は、振動を大幅に低減させるActive Vibration Reduction (AVR) システムを装備しています。

3.6 本体標準セット構成

バッテリーハツリ機、取扱説明書、グリス

搬送ワゴンとバッテリー用ケース、および充電器はアクセサリとして提供されています。

その他のご使用の製品用に許可されたシステム製品については、弊社営業担当または **Hilti Store** にお問い合わせいただくか、あるいは www.hilti.group でご確認ください。

3.7 Li-Ion バッテリーのインジケータ

Hilti Nuron Li-Ion バッテリーは、充電状態、エラーメッセージ、およびバッテリーの状態を表示することができます。

3.7.1 充電状態およびエラーメッセージの表示



警告

負傷の危険 バッテリーの落下!

- ▶ バッテリーを装着した状態でリリースボタンを押した後は、バッテリーを確実に正しく使用する製品に再ロックするようにしてください。

次の表示を確認するには、バッテリーのリリースボタンを短く押してください。
充電状態および不具合は、接続されている製品がオンになっている間常時表示されます。

状態	意味
4 個の LED (4) が常時緑色で点灯	充電状態: 100 %...71 %
3 個の LED (3) が常時緑色で点灯	充電状態: 70 %...51 %
2 個の LED (2) が常時緑色で点灯	充電状態: 50 %...26 %
1 個の LED (1) が常時緑色で点灯	充電状態: 25 %...10 %
1 個の LED (1) がゆっくり緑色で点滅	充電状態: < 10 %
1 個の LED (1) が高速で緑色で点滅	Li-Ion バッテリーは完全に放電しています。バッテリーを充電してください。 バッテリーの充電の後にも LED が高速で点滅する場合は、 Hilti サービスセンターにご連絡ください。
1 個の LED (1) が高速で黄色で点滅	Li-Ion バッテリーまたは接続されている製品が過負荷、過熱、低温の状態にあるか、あるいはその他の不具合が発生しています。 製品とバッテリーを推奨動作温度にし、使用時に製品が過負荷にならないようにしてください。 メッセージが引き続き出力される場合は、 Hilti サービスセンターにご連絡ください。
1 個の LED (1) が黄色で点灯	Li-Ion バッテリーとそれと接続されている製品とに互換性がありません。 Hilti サービスセンターにご連絡ください。
1 個の LED (1) が高速で赤色で点滅	Li-Ion バッテリーはロックされていて、使用できません。 Hilti サービスセンターにご連絡ください。

3.7.2 バッテリーの状態に関する表示

バッテリーの状態を確認するには、リリースボタンを 3 秒を超えて押し続けてください。システムは、落下、異物の買入、外部の熱源による損傷などの誤った使用に起因するバッテリーの機能異常については検知しません。

状態	意味
すべての LED がチェイサーライトとして点灯し、続いて 1 個の LED (1) が常時緑色で点灯。	バッテリーは引き続き使用することができます。
すべての LED がチェイサーライトとして点灯し、続いて 1 個の LED (1) が速く黄色で点滅。	バッテリーの状態確認を終了することができませんでした。手順を繰り返すか、 Hilti サービスセンターにご連絡ください。



状態	意味
すべてのLEDがチェイサーライトとして点灯し、続いて1個のLED(1)が常時赤色で点灯。	接続されている製品を引き続き使用できる場合、バッテリーの残り容量は50%未満です。 接続されている製品を引き続き使用することができない場合、バッテリーは寿命に達していて交換の必要があります。Hilti サービスセンターにご連絡ください。

4 バッテリー式電動ハツリ機

	TE 2000-22
EPTA Procedure 01 に準拠した重量 (バッテリーなし)	17.4 kg
1 回当たりの打撃力 (EPTA-Procedure 05)	38.2 J
作動時の周囲温度	-17 °C ... 60 °C
保管温度	-20 °C ... 70 °C

4.1 バッテリー

バッテリー作動電圧	21.6 V
バッテリー重量	本取扱説明書の巻末を参照してください
作動時の周囲温度	-17 °C ... 60 °C
保管温度	-20 °C ... 40 °C
充電開始時のバッテリー温度	-10 °C ... 45 °C

4.2 騒音および振動値について (EN 62841 準拠)

本説明書に記載されているサウンドプレッシャー値および振動値は、規格に準拠した測定方法に基づいて測定したものです。電動工具を比較するのにご使用いただけます。曝露値の暫定的な予測にも適しています。記載されているデータは、電動工具の主要な使用方法に対する値です。電動工具を他の用途で使用したり、異なる先端工具を取り付けて使用したり、手入れや保守が十分でないまま使用した場合には、データが異なることがあります。このような相違により、作業時間全体で曝露値が著しく高くなる可能性があります。曝露値を正確に予測するためには、本体のスイッチをオフにしている時間や、本体が作動していても実際には使用していない時間も考慮しなければなりません。このような相違により、作業時間全体で曝露値が著しく低くなる可能性があります。

作業者を騒音および / または振動による作用から保護するために、他にも安全対策を立ててください (例: 電動工具および先端工具の手入れや保守、手を冷やさないようにする、作業手順の編成)。

騒音について

測定サウンドパワーレベル (L_{WA})	98 dB(A)
サウンドパワーレベルの不確か性 (K_{WA})	3 dB(A)
排出サウンドプレッシャーレベル (L_{pA})	87 dB(A)
サウンドプレッシャーレベルの不確か性 (K_{pA})	3 dB(A)

合計振動値

ハツリ作業 ($a_{h, Cheq}$)	B 22-170	3.8 m/s ²
	B 22-255	3.8 m/s ²
不確か性 (K)		1.5 m/s ²

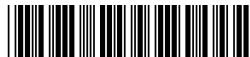
5 作業準備



警告

負傷の危険 意図しない始動!

- ▶ バッテリーを装着する前に、バッテリーを装着する製品のスイッチがオフになっていることを確認してください。
- ▶ 本体の設定、またはアクセサリーの交換の前にバッテリーを取り外してください。



本書および製品に記載されている安全上の注意と警告表示に注意してください。

5.1 バッテリーを充電する

1. 充電の前に充電器の取扱説明書をお読みください。
2. バッテリーと充電器の電気接点は汚れがなく、乾燥していることを確認してください。
3. バッテリーは許可された充電器で充電してください。→ 頁 180

5.2 バッテリーを装着する



警告

負傷の危険 短絡あるいはバッテリーの落下！

- ▶ バッテリーを装着する前に、バッテリーの電気接点と製品の電気接点に異物がないことを確認してください。
 - ▶ バッテリーが正しくロックされていることを常に確認してください。
-
1. はじめてお使いになる前にはバッテリーをフル充電してください。
 2. バッテリーをロックする音が聞こえるまで本製品へと装着します。
 3. バッテリーが確実に固定されていることを確認してください。

5.3 バッテリーを取り外す

1. バッテリーのリリースボタンを押します。
2. 製品からバッテリーを抜き取ります。

6 ご使用方法

本書および製品に記載されている安全上の注意と警告表示に注意してください。

6.1 先端工具を装着する

1. 先端工具のコネクションエンドにグリスを軽く塗布します。



適切でないグリスを使用すると、製品の損傷の原因となることがあります。必ずHiltiの純正グリスを使用してください。

2. 先端工具をチャックに挿入し、軽く押し付けながらカチッとかみ合う音がするまで回します。
3. 先端工具を引っ張り、しっかりと固定されているか確認します。

6.2 先端工具を取り外す



注意

負傷の危険！ 先端工具は熱くなっていること、および / またはエッジが鋭くなっていることがあります。

- ▶ 先端工具を交換する際には保護手袋を着用してください。
- ▶ 熱くなっている先端工具は可燃物の上に置かないでください。

1. チャックロックスリーブをストップ位置まで戻します。
2. 先端工具を取り外します。

6.3 ご使用方法

本書および製品に記載されている安全上の注意と警告表示に注意してください。

作業の全般について現場監督者の許可を得てください！

6.3.1 ハツリ作業

1. チゼルを希望の位置にします。
2. ON/OFF スイッチを押します。



低温での作業：

打撃機構を作動させるためには、本製品が最低運転温度に達している必要があります。この温度まで上げるには、本製品を短時間母材に当てて本体をアイドル回転させます。必要であれば、打撃機構が始動するまでこの動作を繰り返します。



6.3.2 スイッチオフ

- ▶ ON/OFF スイッチを押します。

6.3.3 作業に関する注意事項



チゼルは 6 つの異なる位置に (60° ステップで) 調整することができます。これによってコールドチゼルでもスケーリングチゼルでも、最適の角度で作業できます。

- ▶ チゼルを端部から約 80...100 mm (3 $\frac{1}{8}$ "...4") の位置に当てます。
- ▶ 鉄筋での作業の際は常にチゼルを母材の端に向かって移動させ、鉄筋の方向へは向けないでください。
- ▶ ハツリ作業を開始する場合は、コンクリート表面から 90° の角度に傾け、チゼル先端を母材の端に向けます。続いて角度を 70°...80° にして、母材を除去します。
- ▶ 摩耗部分を均一にして自己研磨を促すため、チゼルの定期的に戻します。
- ▶ 押し付けが小さすぎると、チゼルが跳ね返ります。押し付けが大きすぎると、ハツリ能力が低下します。

7 搬送ワゴンおよび本体ケース B22C (XL)

7.1 搬送

搬送ワゴンにより、電動ハツリ機を確実に危険なく搬送することができます。

本体ケース B22C (XL) は、充電器およびバッテリーの危険のない搬送を確実なものにします。

- 搬送ワゴンは安定した場所に置くよう、十分注意してください。
- 本製品は工具位置決めピンに立てて、搬送中は必ず本製品を固定フレームで固定してください。
- 本体ケース B22C (XL) を搬送ワゴンの上に乗せ、ロックで固定します。
- 搬送経路の安全に注意してください。
- 搬送ワゴンは傾斜面に置かないでください。
- 搬送ワゴンおよび本体ケース B22C (XL) をクレーンで搬送しないでください。
- チゼルは専用のホルダーにロックするまで差し込んでください。
- 搬送経路の安全に注意してください。
- 搬送ワゴンは傾斜面に置かないでください。
- 搬送ワゴンおよび本体ケース B22C (XL) をクレーンで搬送しないでください。

8 手入れと保守



警告

装着されているバッテリーにおける負傷の危険！

- ▶ 手入れや保守作業の前に必ずバッテリーを取り外してください！

製品の手入れ

- 強固に付着した汚れは慎重に除去してください。
- 汚れがある場合には、通気溝を乾いたブラシで入念に清掃してください。
- ハウジングは必ず軽く湿らせた布で清掃してください。シリコンを含んだ清掃用具はプラスチック部品をいためる可能性があるので使用しないでください。

Li-Ion バッテリーの手入れ

- 通気溝が詰まっているバッテリーは決して使用しないでください。通気溝を乾いた柔らかいブラシを使用して慎重に掃除してください。
- バッテリーを不必要に粉じんや汚れに曝さないようにしてください。バッテリーは、決して高い湿度に曝さないでください (例: 水中に沈める、あるいは雨中に放置する)。
- 水分が浸入したバッテリーは、損傷したものとして取り扱ってください。そのようなバッテリーは不燃性の容器に隔離し、Hilti サービスセンターにご連絡ください。
- バッテリーはオイルやグリスから遠ざけてください。バッテリーに不必要な粉じんあるいは汚れが堆積しないようにしてください。バッテリーは、乾いた柔らかいブラシまたは乾いた布で清掃してください。シリコンを含んだ磨き粉はプラスチック部品をいためる可能性があるため使用しないでください。
- ハウジングは必ず軽く湿らせた布で清掃してください。シリコンを含んだ清掃用具はプラスチック部品をいためる可能性があるため使用しないでください。



保守

- 目視確認可能なすべての部品について損傷の有無を、操作エレメントについては問題なく機能することを定期的に点検してください。
- 損傷および/または機能に問題のある場合は、本製品を使用しないでください。直ちにHilti サービスセンターに修理を依頼してください。
- 手入れおよび保守作業の後は、すべての安全機構を取り付けて機能を点検してください。



安全な作動のために、必ず純正のスペアパーツと消耗品を使用してください。本製品向けに弊社が承認したスペアパーツ、消耗品およびアクセサリは、弊社営業担当またはHilti Store お問い合わせいただくか、あるいはwww.hilti.groupでご確認ください。

9 バッテリー式工具およびバッテリーの搬送および保管

搬送

⚠ 注意

搬送時の予期しない始動！

- お使いの製品は、必ずバッテリーを装着していない状態で搬送してください！
- バッテリーを取り外してください。
- バッテリーは決して梱包しない状態で搬送しないでください。搬送中のバッテリーは、他のバッテリー電極と接触して短絡の原因となることを防ぐために、過大な衝撃や振動から保護し、あらゆる導電性の物体あるいは他のバッテリーから隔離する必要があります。バッテリーの搬送に関する各国(地域)の規則を遵守してください。
- バッテリーは郵送しないでください。損傷していないバッテリーを送付する場合は、運送業者を手配してください。
- 使用前にその都度、また長距離の搬送の前後には、製品とバッテリーに損傷がないか点検してください。

保管上の注意事項

⚠ 警告

故障したあるいは液漏れしたバッテリーによる予期しない損傷！

- お使いの製品は、必ずバッテリーを装着していない状態で保管してください！
- 製品とバッテリーは涼しくて乾燥した場所に保管してください。製品仕様に記載されている温度の限界値に注意してください。
- バッテリーは充電器内で保管しないでください。充電の後は、必ずバッテリーを充電器から取り出してください。
- バッテリーを太陽の直射下、熱源の上、窓際等で保管しないでください。
- 製品およびバッテリーは、子供や権限のない人が手を触れることのないようにして保管してください。
- 使用前にその都度、また長期にわたる保管の前後には、製品とバッテリーに損傷がないか点検してください。

10 故障時のヒント

すべての不具合において、バッテリーの充電状態および故障インジケータを確認してください。Li-Ionバッテリーのインジケータの章を参照してください。

この表に記載されていない、あるいはご自身で解消することのできない故障が発生した場合には、弊社営業担当またはHilti サービスセンターにご連絡ください。

故障	考えられる原因	解決策
バッテリーが「カチッ」と音がするまでロックされない。	バッテリーのロックノッチあるいは装置インターフェースが汚れている。	▶ ロックノッチを清掃してバッテリーを改めて装着してください。
バッテリーの消耗が通常よりも早い。	バッテリーの状態が好ましくない。	▶ バッテリーの状態を確認してください。→ 頁 181
製品が始動しない。	充電されたバッテリーが1個しか装着されていない。	▶ 充電された2個目のバッテリーを装着してください。



故障	考えられる原因	解決策
打撃がない。	製品温度が低すぎる。	▶ 製品を母材に接触させて、アイドリング回転させます。打撃機構が作動するまでこれを繰り返してください。
製品あるいはバッテリーが非常に熱くなる。	電氣的故障。	▶ 製品を直ちにオフにしてください。バッテリーを取り外して出して状態を確認してください。バッテリーを冷ましてください。Hilti サービスセンターに連絡してください。
製品が操作中にオフになる、あるいは始動しない	製品 / バッテリーの温度が高すぎる、またはバッテリーの温度が低すぎる。	▶ スイッチをオフにして、本体 / バッテリーを冷ましてください。 ▶ バッテリーの温度が低すぎる。バッテリーを推奨運転温度にしてください。

11 廃棄



警告

誤った廃棄による負傷の危険！ 漏出するガスあるいはバッテリー液により健康を損なう危険があります。

- ▶ 損傷したバッテリーを送付しないでください！
- ▶ 短絡を防止するために接続部を非導電性のもので覆ってください。
- ▶ バッテリーは子供が手を触れることのないように廃棄してください。
- ▶ バッテリーの廃棄は、最寄りのHilti Store あるいは適切な廃棄物処理業者に依頼してください。

Hilti 製品の大部分の部品はリサイクル可能です。リサイクル前にそれぞれの部品は分別して回収されなければなりません。多くの国でHilti は、古い工具をリサイクルのために回収しています。詳細については弊社営業担当またはHilti 代理店・販売店にお尋ねください。



- ▶ 電動工具、電子機器およびバッテリーを一般ゴミとして廃棄してはなりません！

12 メーカー保証

- ▶ 保証条件に関するご質問は、最寄りのHilti 代理店・販売店までお問い合わせください。

13 その他の情報

ご使用方法、技術、環境保護およびリサイクルに関するその他の情報については、qr.hilti.com/manual/?id=2301751&id=2301753 のリンクをご確認ください。

このリンクは、本書の巻末にも QR コードとして記載されています。

오리지널 사용 설명서

1 문서 관련 기재사항

1.1 본 문서에 대해

- 처음 사용하기 전에 본 문서 전체를 읽으십시오. 안전하게 작업하고 문제 없이 취급하기 위한 전제가 됩니다.
- 본 문서 및 제품에 나와 있는 안전 지침 및 경고 지침에 유의하십시오.
- 항상 제품에 있는 사용 설명서를 잘 보관하고 제품은 반드시 본 지침과 함께 다른 사람에게 전달하십시오.



1.2 기호 설명

1.2.1 경고사항

본 제품을 다루면서 발생할 수 있는 위험에 대한 경고사항. 다음과 같은 시그널 워드가 사용됩니다.



위험

위험!

- ▶ 이 기호는 직접적인 위험을 표시합니다. 만약 지키지 않으면 심각한 부상을 당하거나 사망할 수도 있습니다.



경고

경고!

- ▶ 이 기호는 잠재적인 위험을 표시합니다. 만약 지키지 않으면 심각한 부상을 당하거나 사망할 수도 있습니다.



주의

주의!

- ▶ 이 기호는 잠재적인 위험 상황을 표시합니다. 만약 지키지 않으면 부상 또는 물적 손실을 입을 수 있습니다.

1.2.2 사용 설명서에 사용된 기호

본 사용 설명서에서 사용되는 기호는 다음과 같습니다.

	사용 설명서에 유의하십시오
	적용 지침 및 기타 유용한 사용정보
	재사용이 가능한 자재 취급방법
	전기 기기 및 배터리를 일반 가정의 쓰레기처럼 폐기해서는 안 됨
	Hilti 리튬 이온 배터리
	Hilti 충전기

1.2.3 그림에 사용된 기호

그림에 다음과 같은 기호가 사용됩니다.

	이 숫자는 본 사용 설명서 첫 부분에 있는 해당 그림을 나타냅니다.
	매겨진 숫자는 작업 단계의 순서를 나타내며, 텍스트에 매겨진 작업 단계와 차이가 있을 수 있습니다.
	항목 번호는 개요 그림에서 사용되며, 제품 개요 단락에 나와 있는 기호 설명 번호를 나타냅니다.
	이 표시는 제품을 다룰 때, 특별히 주의할 사항을 나타냅니다.

1.3 제품 관련 기호

1.3.1 제품에 사용된 기호

제품에 사용되는 기호는 다음과 같습니다.

	크레인 운반 금지
	본 제품은 iOS 및 Android 플랫폼과 호환 가능한 NFC 기술을 지원합니다.
	리튬이온 배터리



	배터리는 절대 타격 공구로 사용해서는 안 됩니다.
	배터리를 떨어뜨리지 마십시오. 타격을 받은 적이 있거나 다른 손상이 있는 배터리는 사용하지 마십시오.

1.4 제품 정보

제품은 전문가용으로 설계되어 있으며, 해당 교육을 이수한 공인된 작업자를 통해서만 조작, 유지 보수 및 수리 작업을 진행할 수 있습니다. 이 기술자는 발생할 수 있는 위험에 대해 특별 교육을 받은 상태여야 합니다. 교육을 받지 않은 사람이 제품을 부적절하게 취급하거나 규정에 맞지 않게 사용할 경우에는 기기와 그 보조기구에 의해 부상을 당할 위험이 있습니다.

형식 명칭 및 일련 번호는 형식 라벨에 제시되어 있습니다.

▶ 일련 번호를 다음의 표에 옮기십시오. 대리점 또는 서비스 센터에 문의할 경우 제품 제원이 필요합니다.

제품 제원

브레이커	TE 2000-22
세대	01
일련 번호	

1.5 적합성 선언

본 제조사는 단독 책임 하에 여기에 기술된 제품이 통용되는 법 규정 및 규범과 일치함을 밝힙니다. 적합성 증명서 사본은 본 문서 끝 부분에서 확인할 수 있습니다.

기술 문서는 이곳에 기술되어 있습니다.

Hilti Entwicklungsgesellschaft mbH | Zulassung Geräte | Hiltistraße 6 | 86916 Kaufering, DE

2 안전

2.1 전동 공구에 대한 일반적인 안전상의 주의사항

경고 해당 전동 공구와 함께 동봉된 모든 안전상의 주의 사항, 지침, 그림 및 기술자료를 숙지하십시오. 다음과 같은 지침 내용을 준수하지 않으면 전기 충격, 화재가 발생하거나 그리고/또는 중상을 입을 수 있습니다.

앞으로 모든 안전상의 주의사항과 지침을 보관하십시오.

안전상의 주의사항에서 사용되는 "전동 공구"라는 개념은 전원에 연결하여 사용하는 전동 공구(전원 케이블 있음) 또는 배터리를 사용하는 전동 공구(전원 케이블 없음)를 의미합니다.

작업장 안전수칙

- ▶ 작업장을 항상 깨끗이 하고 조명이 잘 들도록 하십시오. 어수선한 작업환경 또는 어두운 작업장은 사고를 초래할 수 있습니다.
- ▶ 인화성 액체, 가스 또는 먼지가 있어 폭발 위험이 있는 환경에서는 전동 공구를 사용하지 마십시오. 전동 공구는 먼지나 증기를 점화시킬 수 있는 스파크를 일으킵니다.
- ▶ 전동 공구를 사용할 때, 어린이들이나 다른 사람들이 작업장에 접근하지 못하도록 하십시오. 다른 사람의 방해로 인해 기기를 통제하기 어렵습니다.

전기에 관한 안전수칙

- ▶ 전동 공구의 전원 플러그가 소켓에 잘 끼워져야 합니다. 플러그를 절대 변형시켜서는 안됩니다. 접지된 전동 공구와 함께 아답타 플러그를 사용하지 마십시오. 변형되지 않은 플러그와 적합한 소켓을 사용하면 감전의 위험을 줄일 수 있습니다.
- ▶ 파이프, 히터, 전기레인지, 냉장고와 같은 접지 표면에 신체 접촉을 피하십시오. 신체에 닿을 경우 감전될 위험이 높습니다.
- ▶ 전동 공구가 비에 맞지 않도록 하고 습한 장소에 두지 마십시오. 전동 공구에 물이 들어가면 감전될 위험이 높습니다.
- ▶ 전원 케이블만 잡고 전동 공구를 운반하거나 걸어 놓아서는 안되며, 소켓에서 전원 플러그를 빼낼 때 케이블만 잡은 채로 빼내지 마십시오. 전원 케이블이 열, 오일, 날카로운 모서리 또는 부품의 가동 부위에 접촉하지 않도록 주의하십시오. 손상되거나 서로 꼬인 전원 케이블은 감전 위험을 높입니다.
- ▶ 실외에서 전동 공구를 이용하여 작업할 때, 실외용으로 승인된 연장 케이블만 사용하십시오. 실외용 연장 케이블을 사용하면 감전의 위험을 줄여줍니다.
- ▶ 전동 공구를 습한 환경에서 사용하는 것을 피할 수 없을 경우, 누전 차단기를 사용하십시오. 누전 차단기를 사용하면 감전 위험을 줄일 수 있습니다.



사용자 안전수칙

- ▶ 신중하게 작업하십시오. 작업에 정신을 집중하고 전동 공구를 사용할 때 경솔하게 행동하지 마십시오. 피곤하거나 항정신성 약물, 술 또는 약을 복용시에는 전동 공구를 사용하지 마십시오. 전동 공구 사용 시 이에 유의하지 않을 경우 심각한 부상을 초래할 수 있습니다.
- ▶ 안전 장비를 갖추고 보안경을 착용하십시오. 전동 공구의 종류와 사용에 따라, 먼지 보호 마스크, 미끄럼 방지용 안전 신발, 안전모 또는 귀마개 등과 같은 안전한 보호장비를 착용하면 부상의 위험을 줄일 수 있습니다.
- ▶ 실수로 기기가 작동하지 않도록 주의하십시오. 전동 공구를 전원 그리고/또는 배터리에 연결하기 전, 보관 또는 운반 전에 전동 공구가 스위치 **OFF** 상태인지 확인하십시오. 전동 공구 운반 시 스위치에 손가락을 대거나 스위치가 켜진 상태에서 전원을 연결하면 사고를 유발할 수 있습니다.
- ▶ 전동 공구의 스위치를 켜기 전, 조정공구 또는 렌치를 제거하십시오. 기기 회전부에 남아있는 공구나 렌치로 인해 부상을 입을 수 있습니다.
- ▶ 작업 시 비정상적인 자세는 피하십시오. 안전한 작업자세가 되도록 하고, 항상 균형을 유지하십시오. 이렇게 하여 예기치 않은 상황에서도 전동 공구를 잘 제어할 수 있습니다.
- ▶ 적합한 작업복을 착용하십시오. 헐렁한 복장이나 장식품을 착용하지 마십시오. 작동하는 기기 가동 부위에 머리, 옷 그리고 장갑이 가까이 닿지 않도록 주의하십시오. 헐렁한 복장, 장식품 혹은 긴 머리가 가동 부위에 말려 들어갈 수 있습니다.
- ▶ 먼지 제거장치나 수거장치를 설치할 수 있는 기기의 경우, 이 장치들이 연결되어 있는지 그리고 제대로 작동되는지를 확인하십시오. 먼지 포집장치 사용은 먼지로 인한 위험을 줄여줄 수 있습니다.
- ▶ 이 전동 공구를 여러번 사용해봤다고 해서 안전하다고 안심하지 말고 전동 공구에 해당하는 안전 규칙을 무시하지 마십시오. 부주의하게 행할 경우 아주 짧은 순간에 중상을 입을 수 있습니다.

전동 공구의 취급과 사용

- ▶ 기기에 과부하가 걸리지 않도록 하십시오. 귀하의 작업에 적합한 전동 공구를 하십시오. 적합한 전동 공구를 사용하면, 지정된 성능 한도 내에서 더 효율적으로 안전하게 작업할 수 있습니다.
- ▶ 스위치가 고장난 전동 공구는 사용하지 마십시오. 스위치가 작동되지 않는 전동 공구는 위험하므로, 반드시 수리를 해야 합니다.
- ▶ 기기 세팅을 실행, 액세서리를 교환 또는 기기를 보관하기 전에 컨넥터를 전원소켓에서 그리고/또는 탈착식 배터리를 기기에서 빼놓으십시오. 이러한 조치는 실수로 전동 공구가 작동하지 않도록 방지합니다.
- ▶ 사용하지 않는 전동 공구는 어린이들의 손이 닿지 않는 곳에 보관하십시오. 기기 사용에 익숙치 않거나 또는 이 안전수칙을 읽지 않은 사람이 기기를 사용해서는 안 됩니다. 비숙련자가 전동 공구를 사용하면 위험합니다.
- ▶ 전동 공구 및 액세서리를 유의해서 관리하십시오. 기기의 가동 부위가 완벽하게 작동하는지, 끼어 있지 않은지, 혹은 부품이 손상되거나 파손되어 있어 전동 공구의 기능을 저하시키지 않는지 점검하십시오. 기기 사용 전 손상된 부품을 수리하도록 하십시오. 제대로 관리되지 않은 전동 공구는 많은 사고를 유발합니다.
- ▶ 절단기기는 날카롭고 깨끗하게 관리하십시오. 날카로운 절단면이 있고 잘 관리된 절단기기는 끼이는 경우가 드물고 조절하기도 쉽습니다.
- ▶ 본 지침에 따라 전동 공구, 액세서리, 공구 비트 등을 사용하십시오. 이 때 작업 조건과 실시하려는 작업 내용을 고려하십시오. 원래 사용 분야가 아닌 다른 작업에 전동 공구를 사용할 경우, 위험한 상황을 초래할 수 있습니다.
- ▶ 손잡이 및 손잡이 표면은 건조하고 깨끗하게, 그리고 오일과 그리스가 묻어있지 않도록 해야 합니다. 미끄러운 손잡이 및 손잡이 표면은 예상치 못한 상황에서 전동 공구를 안전하게 조작하고 제어할 수 없습니다.

배터리 공구의 취급과 사용

- ▶ 제조회사가 권장한 충전기에만 배터리를 충전시키십시오. 특정한 형식의 배터리를 사용하도록 규정되어 있는 충전기에 다른 배터리를 사용할 경우 화재 발생의 위험이 있습니다.
- ▶ 전동 공구에 적합하게 규정된 배터리만 사용하십시오. 다른 배터리를 사용하면 부상을 입을 수 있고, 화재가 발생할 수 있습니다.
- ▶ 배터리를 사용하지 않을 경우 클립, 동전, 키, 못, 나사 또는 다른 소형 금속 물질로부터 사용하지 않는 배터리를 멀리 떨어뜨려 놓아주십시오. 배터리 간 단락으로 인한 연소 또는 화재를 초래할 수 있습니다.
- ▶ 잘못 사용할 경우, 배터리로부터 전해액이 흘러나올 수 있습니다. 전해액을 직접 만지지 마십시오. 실수로 만졌을 경우, 물로 씻으십시오. 전해액이 눈에 들어갔으면, 의사와 상담하십시오. 배터리로부터 흘러나온 전해액은 피부를 손상시킬 수 있으며, 화재를 발생시킬 수 있습니다.
- ▶ 손상된 배터리 또는 변경된 배터리를 사용하지 마십시오. 손상된 배터리 또는 변경된 배터리는 예상치 못한 상황 및 화재, 폭발 또는 부상 위험을 초래할 수 있습니다.
- ▶ 배터리에서 불꽃이 발생하거나 또는 배터리가 너무 높은 온도에 노출되지 않게 하십시오. 불꽃 또는 온도가 130 °C (265 °F)를 넘으면 폭발을 일으킬 수 있습니다.
- ▶ 충전에 관한 모든 지침을 준수하여 배터리 또는 배터리 공구를 절대 사용 설명서에 제시된 범위를 벗어난 온도에서 충전하지 마십시오. 잘못 충전하거나 허용된 범위를 벗어난 온도에서 충전하면 배터리가 파손되어 화재 발생 위험이 높아질 수 있습니다.



서비스

- ▶ 전동 공구는 반드시 자격을 갖춘 전문가에 의해 그리고 순정 대체부품만 이용하여 수리해야 합니다. 이렇게 하여 기기의 안전성을 계속해서 유지할 수 있습니다.
- ▶ 손상된 배터리를 절대 수리하지 마십시오. 배터리 수리는 제조회사 또는 권한을 위임받은 고객 서비스센터에서만 이루어져야 합니다.

2.2 해머에 대한 안전상의 주의사항

모든 작업에 대한 안전상의 주의사항

- ▶ 귀마개를 착용하십시오. 소음은 청각 상실을 유발할 수 있습니다.
- ▶ 기기와 함께 공급된 보조 손잡이를 사용하십시오. 기기를 제어하지 못하면 부상을 입을 수 있습니다.
- ▶ 숨겨진 전선에 공구 비트가 접촉할 수 있는 작업을 실행할 경우, 항상 기기의 절연된 손잡이 부분을 잡으십시오. 전류가 흐르는 전선과 접촉하면 전동공구의 금속 부위를 통해 감전이 될 수도 있습니다.

2.3 그외 브레이커에 관한 안전상의 주의사항

사용자 안전수칙

- ▶ 기술적 하자가 없는 상태에서만 제품 및 액세서리를 사용하십시오.
- ▶ 어떠한 경우에도 제품 또는 액세서리를 변경하거나 개조하지 마십시오.
- ▶ 이동식 카드 또는 다른 운반용 도구를 사용하십시오. 이동식 카드 또는 운반용 도구를 사용할 수 없는 경우, 본 제품은 항상 두 명의 함께 운반해야 합니다. 제품과 이동식 카드 무게가 상당히 무거울 수 있음에 유의하십시오.
- ▶ 천장, 벽 및 바닥 치질링 작업 시 안전하고 단단한 상태인지 확인하십시오. 갑자기 파손이 발생하면 균형을 잃을 수 있습니다!
- ▶ 천공 작업 시, 작업할 부분의 반대편이 안전하도록 조치를 취하십시오. 발생하는 분쇄물이 빠져 나오거나 또는 떨어지면서 다른 사람이 부상을 입을 수 있습니다.
- ▶ 사용자와 그 주변에 있는 사람들은 제품을 사용하는 동안 반드시 보안경, 안전모, 귀마개 그리고 경량 보호 마스크를 착용하십시오.
- ▶ 샌딩, 연마, 절단 및 드릴링 작업 시 발생하는 먼지에는 위험한 화학물질이 함유되어 있을 수 있습니다. 예를 들어 납 또는 납 계열의 페인트, 벽돌, 콘크리트 및 기타 조적 벽돌 제품, 자연석 및 기타 실리콘 함유 제품, 참나무, 너도밤나무 및 화학 처리된 목재 등과 같은 특정 목재, 석면 또는 석면이 함유된 자재 등이 있을 수 있습니다. 작업하는 자재의 위험 등급을 따라 조작자 및 주변에 있는 사람들의 노출 정도를 결정하십시오. 안전한 수준에서 노출이 이루어질 수 있도록 예를 들어 먼지 포집장치 사용 또는 적합한 보호 마스크 착용 등 필요한 조치를 취하십시오. 노출을 줄일 수 있는 일반적인 조치:
 - ▶ 환기가 잘 되는 곳에서 작업하기,
 - ▶ 장시간 먼지 접촉 피하기,
 - ▶ 얼굴 및 신체의 먼지를 다른 곳으로 털어내기,
 - ▶ 보호복장 착용 및 노출된 영역을 비누와 물로 세척하기.
- ▶ 공구 교체 시 보호장갑을 착용하십시오. 공구 비트에 닿으면 부상을 입거나 화상을 당할 수 있습니다.
- ▶ 떨어지는 공구 및/또는 액세서리로 인한 부상 위험. 작업을 시작하기 전에 배터리 및 설치된 액세서리가 안전하게 고정되어 있는지 확인하십시오.
- ▶ 환기 슬롯은 항상 가려져 있지 않게 하십시오. 숨겨진 환기 슬롯으로 인한 화재 위험!
- ▶ 보안경을 착용하십시오. 재료의 파편으로 인해 눈 등 신체에 부상을 입을 수 있습니다.
- ▶ 손가락의 혈액순환이 잘 되도록 자주 휴식시간을 갖고, 휴식하는 동안 손가락 운동을 하십시오. 장시간 작업하면 강한 진동으로 인해 혈관 장애 또는 손가락, 손 및 손목의 신경 체계에 이상이 있을 수 있습니다.
- ▶ 항상 제품이 안전한 상태에 있도록 하십시오. 제품은 항상 견고하고 진동 및 흔들림이 없는 수평 표면에 내려 놓으십시오.

전기에 관한 안전수칙

- ▶ 작업을 시작하기 전에, 작업장에서 가려져 있거나 덮혀 있는 전기 배선, 가스 파이프 그리고 하수도관이 있는지를 점검하십시오. 전기 배선, 가스 파이프 또는 하수도관을 손상시킨 경우, 제품 바깥쪽에 있는 금속 부품에서 감전 또는 폭발을 유발할 수 있습니다.

전동 공구의 올바른 사용방법과 취급방법

- ▶ 전동공구를 내려놓기 전에 전동공구가 완전히 정지할 때까지 기다리십시오.
- ▶ 제품이 작업 위치에 놓인 후에 전원을 켜십시오.

2.4 배터리의 올바른 사용방법과 취급방법

- ▶ 리튬 이온 배터리를 보다 안전하게 취급하고 사용할 수 있도록 다음과 같은 안전상의 주의 사항에 유의하십시오. 유의하지 않을 경우 피부 자극, 심각한 부식성 부상, 화학 화재, 화재 및/또는 폭발을 유발할 수 있습니다.

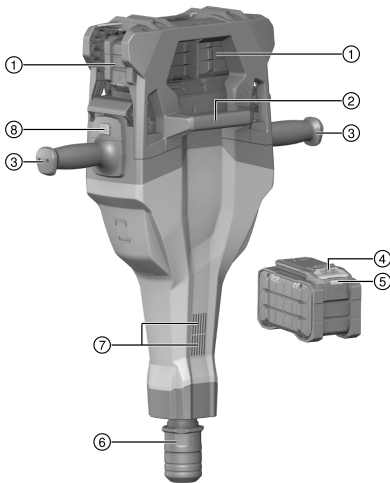


- ▶ 기술적 하자가 없는 상태에서만 배터리를 사용하십시오.
- ▶ 배터리를 조심히 다뤄 손상되지 않고, 건강에 유해한 액체가 흘러나오지 않게 하십시오!
- ▶ 배터리는 어떠한 경우에도 개조 또는 변조해서는 안 됩니다!
- ▶ 배터리를 분해하거나 강한 압력 또는 80°C (176°F) 이상의 열을 가하거나 연소시켜서는 안 됩니다.
- ▶ 타격을 받은 적이 있거나 다른 손상이 있는 배터리는 사용 또는 충전하지 마십시오. 손상될 기미가 보이는 지 정기적으로 점검하십시오.
- ▶ 재활용 또는 수리한 배터리는 절대 사용하지 마십시오.
- ▶ 배터리 또는 배터리 구동식 전동 공구를 절대 타격 공구로 사용하지 마십시오.
- ▶ 배터리가 직사광선, 고온, 스파크 또는 불꽃에 절대 노출되지 않도록 하십시오. 이로 인해 폭발이 발생할 수 있습니다.
- ▶ 배터리 전극을 손가락, 공구, 장신구 또는 다른 전도성 물체를 통해 만지지 마십시오. 이는 배터리 손상, 물 적 손상 및 부상을 유발할 수 있습니다.
- ▶ 배터리가 비 또는 습기 및 액체에 노출되지 않게 하십시오. 습기가 유입되면 단락, 감전, 화재, 불꽃 및 폭발이 일어날 수 있습니다.
- ▶ 배터리 타입에 해당되는 충전기 및 전동공구만 사용하십시오. 이를 위해 해당 사용 설명서에 적혀 있는 내용을 확인하십시오.
- ▶ 폭발 위험이 있는 환경에서 배터리를 사용하거나 보관하지 마십시오.
- ▶ 배터리를 잡기에 너무 뜨거운 경우에는 고장일 수 있습니다. 배터리를 인화성 물질과 충분한 거리를 둔 상태에서 눈에 잘 띄며 불이 잘 붙지 않는 장소에 두십시오. 배터리를 냉각시키십시오. 한 시간 후에도 계속 해서 배터리를 잡기에 너무 뜨거운 경우에는 배터리에 결함이 있을 수 있습니다. Hilti 서비스 센터에 문의 하거나 "안전 및 Hilti 리튬 이온 배터리 작업 관련 지침" 문서 내용을 확인하십시오.

i 리튬 이온 배터리의 운반, 보관 및 사용 시 적용되는 특수 가이드라인에 유의하십시오. → 페이지 196
 안전 및 Hilti 리튬 이온 배터리 작업 관련 지침은 본 사용 설명서의 끝부분에 제시된 QR 코드를 통해 확인할 수 있습니다.

3 제품 설명

3.1 제품 개요



- ① 배터리
- ② 운반용 손잡이
- ③ 손잡이
- ④ 배터리 잠금해제 버튼
- ⑤ 배터리 상태 표시기
- ⑥ 척 어댑터
- ⑦ 환기 슬롯
- ⑧ ON/OFF 스위치

3.2 이동식 카트 및 케이스 B22C (XL) (옵션) 개요

- ① 손잡이
- ② 적재 안전장치
- ③ 잠금 브래킷
- ④ 배터리 케이스 B22C (XL)용 잠금장치
- ⑤ 소모품용 홀더(치즐)
- ⑥ 휠
- ⑦ 휠 안전장치(와셔, 코터 핀)
- ⑧ 기기 맨드릴



- ⑨ 운반용 손잡이
- ⑩ 배터리

- ⑪ 충전기
- ⑫ 케이스 B22/C (XL)

3.3 규정에 적합한 사용

기술된 제품은 소형 충전 브레이커입니다. 이 기기는 콘크리트, 조적벽돌 및 아스팔트의 치즐링 작업에 사용됩니다. 파쇄 작업 및 새기는 작업을 위한 용도로도 사용 가능합니다. 제품은 바닥 방향으로만 사용할 수 있습니다.

- 본 제품에는 모델시리즈 B 22의 Hilti Nuron 리튬이온 배터리만 사용하십시오. Hilti는 출력을 최적화할 수 있도록 본 제품에 본 사용 설명서 끝부분의 표에 제시된 배터리를 사용할 것을 권장합니다.
- 해당 배터리에는 본 사용 설명서 끝부분의 표에 명시된 모델시리즈의 Hilti 충전기만 사용하십시오.

3.4 잘못 사용하는 경우

- 본 제품은 습한 환경에서 작업하는 데 사용해서는 안 됩니다.
- 화재 폭발의 위험이 있는 곳에서는 제품을 사용하지 마십시오.
- 건강에 해로운 물질(예: 석면 등)을 가공해서는 안 됩니다.
- 제품을 크레인으로 이동시키지 마십시오.
- 사다리 위에서 작업해서는 안 됩니다.
- 제품을 벽에 수평 방향으로 사용해서는 안 됩니다.
- 공구 고정끈을 사용하지 마십시오.

3.5 Active Vibration Reduction

본 제품은 진동을 현저하게 줄여주는 Active Vibration Reduction (AVR) 시스템이 장착되어 있습니다.

3.6 공급품목

충전 브레이커, 사용 설명서, 그리스

이동식 카드와 배터리 및 충전기용 케이스는 액세서리로 제공됩니다.

해당 제품에 허용되는 기타 시스템 제품은 **Hilti Store** 또는 **www.hilti.group**에서 확인할 수 있습니다.

3.7 리튬이온 배터리 표시

Hilti Nuron 리튬 이온 배터리는 충전 상태, 오류 메시지 및 배터리 상태를 표시할 수 있습니다.

3.7.1 충전 상태 및 오류 메시지 표시



경고

부상 위험 떨어지는 배터리로 인한 위험!

- ▶ 배터리가 끼워진 상태에서 잠금해제 버튼을 누른 경우, 배터리가 사용하는 제품에 다시 제대로 고정되었는지 확인하십시오.

다음과 같은 표시를 확인하려면, 배터리 잠금해제 버튼을 짧게 누르십시오.

연결된 제품의 전원이 켜져 있는 동안 충전 상태 및 발생 가능한 기능 장애 내용도 계속 표시됩니다.

상태	의미
4개 LED가 녹색으로 계속 점등됩니다	충전 상태: 100 % ~ 71 %
3개 LED가 녹색으로 계속 점등됩니다	충전 상태: 70 % ~ 51 %
2개 LED가 녹색으로 계속 점등됩니다	충전 상태: 50 % ~ 26 %
1개 LED가 녹색으로 계속 점등됩니다	충전 상태: 25 % ~ 10 %
1개 LED가 녹색으로 느리게 깜박입니다	충전 상태: < 10 %
1개 LED가 녹색으로 빠르게 깜박입니다	리튬이온 배터리가 완전히 방전되었습니다. 배터리를 충전하십시오. 배터리 충전 후에도 계속해서 LED가 빠르게 깜박이면, Hilti 서비스 센터에 문의해 주십시오.



상태	의미
1개 LED가 황색으로 빠르게 깜박입니다	리튬 이온 배터리 또는 배터리와 관련된 제품이 과부화되었거나, 너무 뜨겁거나 차갑거나 또는 다른 오류가 발생했습니다. 제품 및 배터리를 권장하는 작동 온도 상태로 유지하고, 제품을 사용하지 않을 경우 제품에 과부하가 걸리지 않도록 하십시오. 해당 메시지가 계속 존재하는 경우, Hilti 서비스 센터에 문의해 주십시오.
1개 LED가 황색으로 점등됩니다	리튬이온 배터리 및 배터리가 연결된 제품과 호환되지 않습니다. Hilti 서비스 센터에 문의해 주십시오.
1개 LED가 적색으로 빠르게 깜박입니다	리튬이온 배터리 사용이 금지되어 더 이상 사용할 수 없습니다. Hilti 서비스 센터에 문의해 주십시오.

3.7.2 배터리 상태 표시

배터리 상태를 조회하려면, 잠금해제 버튼을 3초 이상 누르고 계십시오. 낙하, 틈새 발생, 외부 요인으로 인한 열 손상 등 잘못된 사용으로 인해 시스템에서 잠재적으로 발생할 수 있는 배터리의 오작동을 감지하지 못합니다.

상태	의미
작동 표시등으로 모든 LED가 점등된 후 1개 LED가 녹색으로 계속 점등됩니다.	배터리를 계속해서 사용할 수 있습니다.
작동 표시등으로 모든 LED가 점등된 후 1개 LED가 황색으로 빠르게 깜박입니다.	배터리 상태 조회를 종료할 수 없습니다. 해당 과정을 반복하거나 Hilti 서비스 센터에 문의해 주십시오.
작동 표시등으로 모든 LED가 점등된 후 1개 LED가 적색으로 계속 점등됩니다.	연결된 제품을 계속해서 사용할 수 없는 경우, 남아 있는 배터리 용량이 50% 미만입니다. 연결된 제품을 계속해서 사용할 수 없는 경우, 배터리의 수명이 다 되어 교체해야 합니다. Hilti 서비스 센터에 문의해 주십시오.

4 충전 브레이크

	TE 2000-22
EPTA Procedure 01에 따른 종량(배터리 미포함)	17.4kg
1회 타격 에너지 (EPTA-Procedure 05)	38.2J
작동 시 주변 온도	-17 °C ... 60 °C
보관 온도	-20 °C ... 70 °C

4.1 배터리

배터리 모드 전압	21.6V
배터리 무게	본 사용 설명서의 끝부분 참조
작동 시 주변 온도	-17 °C ... 60 °C
보관 온도	-20 °C ... 40 °C
충전 시작 시 배터리 온도	-10 °C ... 45 °C

4.2 EN 62841에 따른 소음 정보 및 진동값

이 지침에 제시된 음압 및 진동수준은 표준화된 측정방법에 따라 측정된 것이며, 전동 공구를 서로 비교하기 위한 용도로 사용할 수 있습니다. 음압 및 진동 수준은 노출 정도를 사전에 예측하는 데에도 유용하게 사용할 수 있도록 설계되어 있습니다.

제시된 데이터는 전동 공구의 주된 용도를 나타냅니다. 그러나 전동 공구를 다른 용도로 사용하거나 다른 공구 비트를 사용할 경우 또는 유지보수를 충분히 하지 않은 상태에서는 데이터에 편차가 있을 수 있습니다. 이러한 경우 전 작업시간에 걸쳐 노출이 현저하게 증가할 수 있습니다.

노출을 정확하게 평가하기 위해서는 기기 작동이 멈춰 있거나 또는 작동 중이지만 실제로는 사용하지 않는 시간도 고려해야 합니다. 이러한 경우 전 작업시간에 걸쳐 노출이 현저하게 감소할 수 있습니다.



사용자를 보호하기 위해 음파 그리고/또는 진동이 작용하기 전에 다음과 같은 추가적인 안전 조치를 취하십시오. 전동 공구와 공구 비트의 유지보수, 손을 따뜻하게 유지, 작업순서 정하기 등.

소음정보

측정된 소음 수준 (L_{WA})	98dB(A)
소음 수준 허용공차 (K_{WA})	3dB(A)
음압 방출 수준 (L_{pA})	87dB(A)
음압 수준 허용공차 (K_{pA})	3dB(A)

진동 총 값

치질링 ($a_{h, Cheq}$)	B 22-170	3.8m/s ²
	B 22-255	3.8m/s ²
허용공차 (K)		1.5m/s ²

5 작업 준비

경고

부상위험 돌발적인 작동!

- ▶ 배터리를 끼우기 전에 해당 제품의 전원이 꺼져 있는지 확인하십시오.
- ▶ 기기 설정 또는 액세서리를 교체하기 전에 배터리를 제거하십시오.

본 문서 및 제품에 나와 있는 안전 지침 및 경고 지침에 유의하십시오.

5.1 배터리 충전

1. 충전하기 전에 충전기의 사용 설명서를 읽으십시오.
2. 배터리 및 충전기의 접점이 청결하고 건조한 상태인지 확인하십시오.
3. 허용되는 충전기에서 배터리를 충전하십시오. → 페이지 192

5.2 배터리 삽입

경고

부상위험 부상 위험!

- ▶ 배터리를 끼우기 전에 배터리의 접점 및 제품의 접점에 이물질이 남아 있지 않은지 확인하십시오.
- ▶ 배터리가 제대로 고정되었는지 확인하십시오.

1. 처음 가동하기 전에 배터리를 완전하게 충전하십시오.
2. 배터리가 제품에 고정되는 소리가 들릴 때까지 미십시오.
3. 배터리가 정확하게 설치되어 있는지 점검하십시오.

5.3 배터리 제거

1. 배터리의 잠금 해제 버튼을 누르십시오.
2. 배터리를 제품에서 빼내십시오.

6 조작

본 문서 및 제품에 나와 있는 안전 지침 및 경고 지침에 유의하십시오.

6.1 공구 비트 삽입

1. 드릴 샹크식 공구 비트에 그리스를 약간 바르십시오.



적합하지 않은 그리스를 사용하면 제품이 손상될 수 있습니다. Hilti의 순정 그리스만 사용하십시오.

2. 공구 비트를 척 아답타에 끼운 다음, 잠기는 소리가 날 때까지 공구 비트를 가볍게 누르면서 돌리십시오.
3. 치줄을 잡아 당겨서 치줄이 정확하게 잠겼는지 점검하십시오.



6.2 공구 비트 분리

주의

부상위험! 공구 비트가 뜨겁거나 그리고/또는 모서리가 날카로울 수 있습니다.

- ▶ 공구 비트 교체 시 보호장갑을 착용하십시오.
- ▶ 절대 뜨거운 공구 비트를 인화성 플레이트에 놓지 마십시오.

1. 공구 잠금장치를 스톱 위치까지 뒤로 당기십시오.
2. 공구 비트를 빼내십시오.

6.3 조작

본 문서 및 제품에 나와 있는 안전상의 주의사항 및 경고 지침에 유의하십시오.
건축 감독 또는 현장 엔지니어로부터 작업 승인을 완전히 받아야 합니다.

6.3.1 치출링 작업

1. 치출을 원하는 위치에 대십시오.
2. ON/OFF 스위치를 누르십시오.



저온에서 작업할 경우:

본 제품은 타격기구가 작동할 수 있을 정도까지의 최소 작동온도를 필요로 합니다. 최소 작동온도에 도달하기 위해서는, 제품을 잠시 바닥 위에 설치하고 공회전 속도로 작동시키십시오. 필요할 경우 타격기구가 작동할 때까지 이 과정을 반복하십시오.

6.3.2 전원 끄기

- ▶ ON/OFF 스위치를 누르십시오.

6.3.3 작업 지침



치출 각도를 (60° 단계로) 6가지의 다양한 위치에 둘 수 있습니다. 이를 통해 평치줄과 성형 치줄을 항상 최적의 작업위치에서 작동시킬 수 있습니다.

- ▶ 치출을 모서리에서 약 80-100 mm (3 1/8" - 4") 떨어진 거리에 두십시오.
- ▶ 보강철근의 경우 치출은 항상 보강철근 쪽이 아닌, 자재의 모서리 쪽을 향하도록 하십시오.
- ▶ 콘크리트 표면에 90°의 각도를 유지하여 치출 작업을 시작하고, 끝이 모서리 쪽을 향하도록 하십시오. 그리고 나서 70° ~ 80° 각도로 옮긴 후 자재를 파쇄하십시오.
- ▶ 균등하게 마모되어야 날카롭게 유지되므로, 치출을 정기적으로 회전시켜주는 것이 좋습니다.
- ▶ 압착력이 너무 낮으면 치출이 튀어오릅니다. 압착력이 너무 높으면 치출 출력이 떨어집니다.

7 이동식 카트 및 케이스 B22C (XL)

7.1 운반

이동식 카트를 이용하면 브레이커의 안전한 운반이 보장됩니다.

케이스 B22C (XL)는 충전기와 배터리를 안전하게 운반할 수 있게 해줍니다.

- 이동식 카트가 안정된 상태에 있도록 하십시오.
- 제품을 규정한 기기 맨드릴에 놓고 운반 중에는 고정 후크로 고정하십시오.
- 케이스 B22C (XL)를 이동식 카트에 올려두고, 잠금장치를 이용해 고정하십시오.
- 이송 경로에 문제점이 없는지 유의하십시오.
- 이동식 카트를 경사면에 놓지 마십시오.
- 이동식 카트 및 케이스 B22C (XL)는 크레인으로 운반하지 마십시오.
- 치출을 규정한 홀더에 맞물려 고정될 때까지 밀어 넣으십시오.
- 이송 경로에 문제점이 없는지 유의하십시오.
- 이동식 카트를 경사면에 놓지 마십시오.
- 이동식 카트 및 케이스 B22C (XL)는 크레인으로 운반하지 마십시오.



경고

배터리가 끼워진 상태에서 부상 위험!

- ▶ 관리 및 수리 작업을 진행하기 전에 항상 배터리를 제거하십시오!

제품 관리

- 공구에 부착되어 있는 오염물질을 조심스럽게 제거하십시오.
- 오염물이 있는 경우, 마른 솔로 환기 흡을 조심스럽게 청소하십시오.
- 하우징은 약간 물을 적신 천으로만 닦으십시오. 플라스틱 부품을 손상시킬 수 있으므로 절대로 실리콘이 함유된 보호제를 사용하지 마십시오.

리튬 이온 배터리 관리

- 환기 슬롯이 막힌 상태에서는 절대 배터리를 사용하지 마십시오. 부드러운 마른 솔로 환기 슬롯을 조심스럽게 청소하십시오.
- 배터리가 불필요하게 먼지 또는 오염물에 노출되지 않도록 하십시오. 배터리를 절대 습도가 높은 곳에 두지 마십시오(예: 물 속에 담그거나 비내리는 곳에 두는 행위).
- 배터리에 물이 들어가면, 손상된 배터리처럼 취급하십시오. 물이 들어간 배터리는 비가연성 용기에서 절연시킨 후, **Hilti** 서비스 센터에 문의해 주십시오.
- 배터리를 오일 및 그리스가 묻지 않도록 깨끗하게 유지하십시오. 배터리에 불필요하게 먼지 또는 오염물이 쌓이지 않도록 하십시오. 배터리를 부드러운 마른 솔 또는 깨끗하고 마른 걸레로 닦아내십시오. 플라스틱 부품을 손상시킬 수 있으므로 절대로 실리콘이 함유된 보호제를 사용하지 마십시오.
- 하우징은 약간 물을 적신 천으로만 닦으십시오. 플라스틱 부품을 손상시킬 수 있으므로 절대로 실리콘이 함유된 보호제를 사용하지 마십시오.

유지보수

- 눈에 보이는 모든 부품은 정기적으로 손상 여부를 점검하고 조작 요소가 아무 문제없이 작동하는지 점검하십시오.
- 손상되었거나 기능 장애가 있는 경우에는 제품을 작동하지 마십시오. 바로 **Hilti** 서비스 센터에서 수리받으십시오.
- 관리 및 수리 작업 후 모든 보호장치를 가져와 기능을 점검하십시오.



안전한 사용을 위해서 순정 예비 부품 및 소모품만을 사용하십시오. 해당 제품에 허용되는 예비 부품, 소모품 및 액세서리는 **Hilti Store** 또는 **www.hilti.group**에서 확인할 수 있습니다.

9 충전식 공구 및 배터리 운반 및 보관**운반** **주의**

운반 시 돌발적으로 작동됨!

- ▶ 제품은 항상 배터리를 장착하지 않은 상태로 운반하십시오!
- ▶ 배터리를 분리하십시오.
- ▶ 배터리를 고정하지 않은 채로 운반해서는 절대 안 됩니다. 운반하는 도중 배터리에 과도한 충격을 받거나 진동이 발생하지 않게 하고 모든 전도성 소재 또는 다른 배터리로부터 분리시켜 다른 배터리 전극에 닿지 않고 단락이 발생하지 않게 하십시오. 배터리와 관련된 현지 운반 규정에 유의하십시오.
- ▶ 배터리는 우편을 통해 전달할 수 없습니다. 손상이 없는 배터리를 전송하고자 하는 경우 배송업체에 문의하십시오.
- ▶ 제품 및 배터리를 사용하기 전에 그리고 장시간 운반한 후에는 항상 손상 여부를 점검하십시오.

보관 **경고**

배터리 결함 또는 방전으로 인한 돌발적인 손상!

- ▶ 제품은 항상 배터리를 장착하지 않은 상태로 보관하십시오!
- ▶ 제품 및 배터리를 냉각 및 건조시켜 보관하십시오. 기술자료에 제시된 허용 온도 한계값에 유의하십시오.
- ▶ 배터리를 충전기에 보관하지 마십시오. 충전 후에는 항상 배터리를 충전기에서 분리하십시오.
- ▶ 배터리는 절대 직사광선이 들어오는 곳, 열원 위 또는 유리 뒤쪽에 보관하지 마십시오.
- ▶ 제품 및 배터리는 건조한 상태로 어린이나 외부인의 손이 닿지 않는 곳에 보관하십시오.
- ▶ 제품 및 배터리를 사용하기 전에 그리고 장시간 보관한 후에는 항상 손상 여부를 점검하십시오.



10 문제 발생 시 도움말

장애 발생 시 항상 배터리의 충전 상태 및 고장 표시 내용에 유의하십시오. 리튬이온 배터리 표시 단원을 참조하십시오.

본 도표에 제시되어 있지 않거나 스스로 해결할 수 없는 문제가 발생한 경우 Hilti 서비스 센터에 문의해 주십시오.

장애	예상되는 원인	해결책
배터리를 밀어 넣을 때 "찰칵"하는 소리가 들리지 않음.	배터리 또는 기기 인터페이스 부위의 래치가 오염됨.	▶ 래치를 청소하고 배터리를 다시 끼우십시오.
배터리가 평소보다 빨리 방전됨.	배터리 상태가 최적이지 않음.	▶ 배터리 상태를 조회해 보십시오. → 페이지 192
제품이 작동하지 않음.	충전한 배터리 하나만 끼워져 있음.	▶ 충전한 다른 배터리를 삽입하십시오.
타격이 되지 않음.	제품이 너무 차가움.	▶ 제품을 모재로 가져와서 공회전 상태로 작동시키십시오. 필요한 경우 함마링 장치가 작동될 때까지 과정을 반복하십시오.
제품 또는 배터리에서 과도한 열 발생.	전기적 결함.	▶ 즉시 제품의 전원을 끄십시오. 배터리를 분리한 후 살펴보십시오. 배터리를 냉각시키십시오. Hilti 서비스 센터에 문의해 주십시오.
제품이 작동 중에 멈추거나 작동하지 않음	제품/배터리가 너무 뜨거움 또는 배터리가 너무 차가움.	▶ 작동을 중지하고, 기기/배터리의 열을 식하십시오. ▶ 배터리가 너무 차가움. 배터리를 권장하는 작동 온도로 충전하십시오.

11 폐기

경고

부적절한 폐기로 인한 부상 위험! 새어나오는 가스 또는 용액으로 인한 건강상의 위험.

- ▶ 손상된 배터리는 전달하지 마십시오!
- ▶ 비전도성 소재로 연결 단자를 막아 두어 단락이 발생하지 않게 하십시오.
- ▶ 배터리가 어린이의 손에 닿지 않도록 폐기하십시오.
- ▶ Hilti Store에서 배터리를 폐기하거나 또는 담당 폐기물 처리 업체에 문의하십시오.

Hilti 제품은 대부분 재사용이 가능한 소재로 제작되었습니다. 재활용을 위해 개별 부품을 분리하여 주십시오. Hilti는 대부분의 국가에서 재활용을 위해 노후기기를 수거해 갑니다. Hilti 고객 서비스 센터 또는 판매 담당자에게 문의하십시오.



- ▶ 전동 공구, 전자식 기기 및 배터리를 일반 가정 쓰레기로 폐기하지 마십시오!

12 제조회사 보증

- ▶ 보증 조건에 관한 질문사항은 Hilti 파트너 지사에 문의하십시오.

13 기타 정보

작동법, 기술, 환경 및 재활용에 대한 세부 정보는 qr.hilti.com/manual/?id=2301751&id=2301753에서 확인할 수 있습니다.

해당 링크는 본 문서 끝에 QR 코드 형식으로도 제시되어 있습니다.



原始操作說明

1 文件相關資訊

1.1 關於此文件

- 初次操作或使用前，請先詳讀此文件。本文件包含安全前提、疑難排解處理和產品使用。
- 請遵守本文中與產品上的安全說明和警告。
- 操作說明應與產品一起保管，產品交予他人時必須連同操作說明一起轉交。

進口商: 喜利得股份有限公司

地址: 新北市板橋區

新站路16號24樓22041

電話: 0800-221-036

1.2 已使用的符號解釋

1.2.1 警告

警告您在操作或使用本產品時可能發生之危險。採用了以下標示文字：



危險

危險！

- ▶ 此標語警示會發生對人造成嚴重傷害甚至致死的危險情形。



警告

警告！

- ▶ 此標語警示會造成嚴重傷害甚至致死危險的潛在威脅。



注意

注意！

- ▶ 請小心會造成人員受傷或對設備及其他財產造成損害的潛在危險情況。

1.2.2 操作說明中的符號

本操作說明中採用以下符號：



請遵照操作說明



使用操作說明與其他資訊



處理可回收的材料



不可將電子設備與電池當作家庭廢棄物處置



Hilti 鋰電池



Hilti 充電器

1.2.3 圖解中的符號

圖解中採用了以下符號：

2

號碼對應操作說明的開始處的圖解。

3

編號代表圖解中的操作步驟順序，可能與內文中的步驟有所不同。

11

概覽圖解中使用位置編號，方便您對應到產品概覽段落中的圖例編號。



這些特色是為了讓您在操作本產品時可以注意某些重點。



1.3 產品專屬符號

1.3.1 產品上的符號

產品上會採用下列符號：

	不可使用起重機運送
	本產品支援近距離無線通訊 (NFC) 技術，其相容於iOS及Android平台。
Li-Ion	鋰電池
	請勿將電池使用作為敲擊工具。
	避免電池掉落。不得使用遭受衝擊或其他原因遭成損壞的電池。

1.4 產品資訊

HILTI 產品是針對專業使用者設計，故僅經訓練、認可的人員可操作、維修與維護本產品。必須告知上述人員關於可能遭遇到的特殊危險。若因未經訓練人員操作錯誤或未依照其原本的用途操作，則本產品和它的輔助工具設備有可能會發生危險。

類型名稱和序號都標示於額定銘牌上。

- ▶ 在下方表格中填入序號。與Hilti維修中心或當地Hilti機關聯絡查詢產品相關事宜時，我們需要您提供產品詳細資訊。

產品資訊

鑿破機	TE 2000-22
產品代別	01
序號	

1.5 符合聲明

基於製造商唯一的責任，本公司在此聲明本產品符合適用法規及標準。本文件結尾處有符合聲明之副本。技術文件已歸檔：

Hilti Entwicklungsgesellschaft mbH | Tool Certification | Hiltistrasse 6 | D-86916 Kaufering, Germany

2 安全性

2.1 一般電動機具安全警告

⚠ 警告 請詳閱本電動機具提供的所有安全警告、指示、圖解和說明。未能遵守以下所有指示可能會造成電擊事故、火災和/或嚴重的傷害。

妥善保存所有警示及說明，以供將來參考。

注意事項中的「機具」係指使用電源（有線）或電池（無線）的電動機具。

工作區域安全

- ▶ 請保持工作區的清潔與採光充足。雜亂而昏暗的工作區會導致意外發生。
- ▶ 勿在容易發生爆炸的環境中使用機具，例如有可燃性液體、瓦斯或粉塵存在的環境。機具產生的火花可能會引燃塵埃或煙霧。
- ▶ 操作機具時，請與兒童及旁人保持距離。注意力不集中時容易發生失控的情形。

電力安全

- ▶ 機具插頭與插座須能互相搭配。勿以任何方式改裝插頭。勿將任何變壓器插頭和與地面接觸（接地）的電動機具搭配使用。未經改裝的插頭以及能互相搭配的插座可減少發生電擊的危險。
- ▶ 避免讓身體碰觸到如管線、散熱器、爐灶與冰箱等與土地或地表接觸之物品。如果您的身體接觸到地表或地面，將增加電擊的危險。
- ▶ 請勿將機具暴露在下雨或潮濕的環境中。若水氣進入機具中將增加觸電的危險。
- ▶ 勿濫用電纜線。勿以電纜線吊掛、拖拉機具或拔下機具插頭。電纜線應避開熱氣、油、銳利的邊緣或移動性零件。電纜線損壞或纏繞會增加發生電擊事故的危險。
- ▶ 於室外操作機具時，須使用適用於戶外的延長線。使用適合戶外使用的延長線可降低觸電的風險。



- ▶ 如果無法避免在潮濕的地點操作機具，請使用漏電斷路器 (RCD) 保護電源供應器。使用漏電斷路器 (RCD) 可降低電擊的風險。

人員安全

- ▶ 操作機具時，請提高警覺，注意進行中的工作並善用常識。感到疲勞或受到藥物、酒精或治療的影響時勿使用機具。操作機具時稍不留神就可能造成嚴重的人員傷亡。
- ▶ 穿戴個人防護裝備。請隨時穿戴眼罩。適當使用防塵面罩、防滑鞋、安全帽及耳罩等安全防護配備可減少人員的傷害。
- ▶ 避免不經意的啟動。在接上電源或電池組、抬起或攜帶機具之前，務必確認開關處於關閉的位置。攜帶機具時，如果把手指放在開關上，或在開關開啟時，將機具插上插頭容易發生意外。
- ▶ 啟動機具前，應將所有調整鑰匙或扳手移開。將扳手或鑰匙留在機具的旋轉零件中可能會造成人員傷害。
- ▶ 勿將手伸出過遠。隨時站穩並維持平衡。這可讓您在意外情況發生時，對機具有較好的控制。
- ▶ 穿著適當服裝。請勿穿著寬鬆的衣服或佩戴珠寶。頭髮、衣服與手應遠離移動性零件。移動性零件可能會夾到寬鬆的衣服、珠寶或長髮。
- ▶ 如果機具可連接吸塵裝置與集塵設備，請連接並適當使用這些設備。使用集塵裝置可降低與粉塵有關的危險。
- ▶ 請勿因頻繁而習慣使用機具便疏於遵守或忽略機具的安全規範。草率使用可能在轉眼間便造成嚴重的傷害。

機具使用與保養

- ▶ 不可強制使用機具。依據用途使用正確的機具。根據設計的速率使用機具可更快速安全地完成工作。
- ▶ 若開關無法啟動或關閉電動工具時，請勿使用電動工具。任何無法以開關控制的機具都很危險且需要維修。
- ▶ 在進行任何調整、更換配件、或貯放電動機具前，請先將插頭拔離插座和 / 或將電池組自電動機具卸下 (如可拆卸)。此預防安全措施可降低機具意外啟動的風險。
- ▶ 將閒置的機具貯放在兒童拿不到的地方，勿讓不熟悉或未詳閱本說明的人員操作本機具。機具在未經訓練的使用者手中是很危險的。
- ▶ 維護機具與配件。請檢查移動性零件有無偏移或黏合的情形、零件有無破損，以及任何會影響機具運轉的狀況。如果機具受損，請先維修後再使用。很多意外便是由維護不當的機具造成的。
- ▶ 保持切割機具的銳利與清潔。具銳利切割邊緣的切割機具如果得到適當的維護，便較不會發生黏合的現象，且較容易控制。
- ▶ 遵守本指示說明使用機具、配件和工具組等，並考量工作條件與待進行的工作。將機具用在原目的之外之用途可能會造成危險。
- ▶ 保持握把與其表面的乾燥、清潔且不要讓上面出現油漬。握把及其表面濕滑會在意外情況中造成機具無法安全掌控。

電池機具的使用與保養

- ▶ 務必使用原廠指定的充電器進行充電。將適合特定類型電池的充電器使用在其他電池時，會有造成火災的危險。
- ▶ 務必使用機具特別指定的電池匣。使用其他的電池匣可能會造成受傷或火災。
- ▶ 電池匣未使用時，請將其遠離如週鈔、錢幣、鑰匙、針、固定釘或其他會在電池兩極間形成連結的小型金屬物件。在電池兩極間建立短路可能會造成灼傷或火災。
- ▶ 若使用不當，可能會有液體由電池流出；請避免接觸該液體。若不慎接觸，請以清水沖洗。如果不小心讓液體接觸到眼睛，請立即尋求醫療援助。從電池中滲出的液體，可能會導致過敏或灼傷。
- ▶ 請勿使用損壞或改裝過的電池組或機具。受損或改裝過的電池可能會無法正常運作而造成起火、爆炸或受傷的風險。
- ▶ 請勿將電池組或機具曝露在火源或極端的溫度環境中。曝露在火源或溫度超過130°C (265°F) 的環境下可能會造成爆炸。
- ▶ 請遵守充電操作說明且不要在說明所載的溫度範圍之外為電池組或機具充電。不當充電或在指定溫度範圍外充電均可能造成電池損壞並提高起火的風險。

維修服務

- ▶ 請將機具交給合格的維修人員進行維修，並使用相同的替代零件。這可確保維護機具安全。
- ▶ 請勿自行維修損壞的電池。損壞的電池僅可由製造商或授權的維修商進行維修。

2.2 鎚擊安全警告

所有操作的安全說明

- ▶ 請配戴耳罩。暴露於噪音環境下會導致聽力受損。
- ▶ 請使用機具所提供的輔助握把 (如有隨附)。機具失控可能會導致人員受傷。
- ▶ 當所進行的工作，其切割配件可能會接觸到隱藏配線，進行操作時請握住機具的絕緣握把。與「導電」電線接觸的切割配件可能會導致機具暴露在外金屬零件「導電」，使得操作人員遭受電擊。



2.3 鑿破機的其他安全操作說明

人員安全

- ▶ 僅在本產品和配件能正常運轉時使用。
- ▶ 勿嘗試以任何方式改裝產品或配件。
- ▶ 若可能，請您使用搬運推車或其他搬運工具。若沒有搬運推車或其他搬運工具可使用，則產品應始終由兩位人員搬運。請注意產品加上搬運推車的重量相當重。
- ▶ 往天花板、牆面及地板鑿孔時，請務必確認您有安全且堅固的站立點。若突然擊穿會影響您的平衡！
- ▶ 若工作包含鑿穿作業，請於工件另一面一併採取適當的防護措施。鑿穿的碎片會掉落和 / 或造成他人受傷。
- ▶ 機具運轉時，您與附近的所有人都必須配戴護目鏡及安全帽、聽力保護耳罩和呼吸保護口罩。
- ▶ 研磨、切割和鑽孔時產生的粉塵可能含有危險的化學物質。例如：鉛或以鉛為基底的顏料；磚塊、混凝土和其他建材產品、天然石材和其他含矽酸鹽的產品；橡木、山毛櫸等特定木材以及化學處理的木材；石棉或含有石棉的物質。根據操作員工作時接觸的物質危險等級來決定操作員和其他人員暴露在該環境的程度。採取必要的措施，以將暴露相關條件維持在安全等級上，例如：使用吸塵系統或配戴合適的防護面罩。降低在該環境下的暴露程度的一般措施包括：
 - ▶ 工作區域保持良好通風
 - ▶ 避免長時間接觸粉塵
 - ▶ 清除臉部和身體上的粉塵
 - ▶ 穿著防護衣，用水和肥皂清洗裸露在外的身體部位
- ▶ 更換配件工具時，請穿戴防護手套。觸摸配件工具會造成割傷或灼傷。
- ▶ 掉落的工具和配件有導致受傷的危險。開始作業前，請確認電池和安裝的附件已確實固定。
- ▶ 通風口請務必隨時保持暢通。因通風口被蓋住而有火災之虞！
- ▶ 穿戴護目鏡。飛散的碎片可能會傷害身體與眼睛。
- ▶ 請經常休息，並活動您的手指以促進血液循環。長時間暴露在劇烈震動下會造成手指、手掌和手腕的血管或神經系統失調。
- ▶ 請確保產品始終位於安全的位置。請務必將產品放置於平坦、穩固、無震動和無搖晃的平面上。

電力安全

- ▶ 開始工作前，請先檢查工作區域是否有隱藏的電纜線、瓦斯管或水管。電線、天然氣管線或水管若損壞，本產品外側上的金屬零件可能導致觸電或爆炸。

小心處理與使用電子工具及機具

- ▶ 請等候機具完全停止再將其放下。
- ▶ 僅在將產品定位於作業位置後，才能啟動電源。

2.4 小心處理和使用電池

- ▶ 請遵守下列安全操作和使用鋰電池的安全注意事項。若未遵守，可能造成皮膚不適、嚴重腐蝕、化學燙傷、起火和/或爆炸。
- ▶ 請使用狀態完好無損的電池。
- ▶ 請小心處理電池，以避免其受損以及防止會嚴重危及健康的液體流出！
- ▶ 電池嚴禁修改或改裝！
- ▶ 請勿拆解、擠壓或焚燒電池，且不可將電池置放在溫度超過80°C (176°F)的環境中。
- ▶ 電池受過衝擊或其他損壞後，請勿使用或充電。請定期檢查電池是否有損壞的跡象。
- ▶ 請勿使用回收或維修過的電池。
- ▶ 請勿將電池或電池供電之機具作為錘子使用。
- ▶ 請勿讓電池暴露在直接日曬、溫度過高、有火花或明火的環境中，否則可能導致爆炸。
- ▶ 請勿用手指、工具、珠寶或其他會導電的物體觸摸電池極柱，否則可能導致電池損壞、財物損失和人員受傷。
- ▶ 電池應避免淋雨、潮濕和水氣。水氣滲入會造成短路、觸電、燙傷、起火和爆炸。
- ▶ 請使用適用於該電池型號的充電器與電動工具。請詳閱並遵守相關操作說明書中的說明。
- ▶ 請勿在易爆炸環境中使用或存放電池。
- ▶ 若電池溫度過高無法觸摸，表示電池可能已經毀損。將電池放在清楚可見且沒有火災危險、遠離易燃材料的位置。讓電池冷卻。若一小時後電池溫度仍然過高無法觸摸，表示電池可能已經毀損。請洽詢Hilti維修中心或詳讀「Hilti鋰電池安全注意事項和使用」文件。



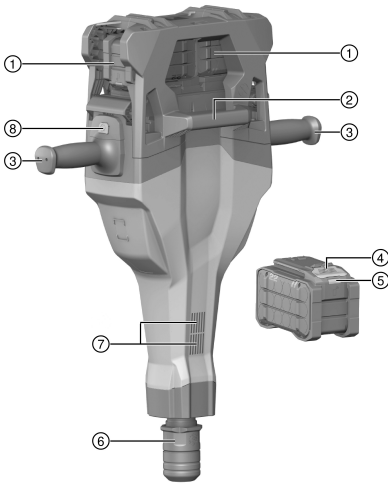
請遵守適用於運輸、存放和使用鋰離子電池的專用指令。→ 頁次 206

請透過本操作說明書末尾的條碼取得並詳讀Hilti鋰電池安全注意事項和使用。



3 說明

3.1 產品總覽 1



- ① 電池
- ② 握把
- ③ 握把
- ④ 電池拆卸鈕
- ⑤ 電池狀態指示燈
- ⑥ 夾頭
- ⑦ 通風口
- ⑧ On/Off開關

3.2 搬運推車和提箱 B22C (XL) 概覽 (選配) 2

- ① 握把
- ② 運載固定件
- ③ 鎖條
- ④ 電池提箱 B22C (XL) 鎖
- ⑤ 配件工具 (鑿子) 座
- ⑥ 轉輪
- ⑦ 轉輪穩固零件 (墊圈、固定銷)
- ⑧ 機具定位銷
- ⑨ 握把
- ⑩ 電池
- ⑪ 充電器
- ⑫ 提箱 B22C (XL)

3.3 用途

此處所述產品為手持充電式鑿破機。其適合用於混凝土、石材與瀝青之鑿孔作業。其亦可用於挖掘與緊壓。該產品僅能朝向地面使用。

- 本產品限使用B 22Hilti Nuron系列鋰電池。為達最理想的效能，Hilti建議本產品使用本操作說明書末尾表格中所列的電池。
- 僅可使用本操作說明末尾表格中所列的Hilti系列的電池充電器為電池充電。

3.4 不當使用

- 請勿在濕氣重或潮濕的環境中使用本產品。
- 請勿在有發生火災與爆炸之虞的場所使用本產品。
- 勿在會危害人體健康的基材 (例如：石棉) 上作業。
- 請勿使用起重機搬運該產品。
- 請勿於梯子上進行作業。
- 該產品不得使用於與牆面水平之工作方向。
- 請勿使用工具繫繩。

3.5 Active Vibration Reduction

本機具備主動減震 (Active Vibration Reduction (AVR)) 系統，可明顯減少震動。



3.6 配備及數量

充電式鑿破機、操作說明書、潤滑劑

搬運推車和電池及充電器的提箱會作為配件提供。

關於本產品，您可於當地www.hilti.group或網站查詢其他經過認證可搭配使用的系統產品：**Hilti Store**

3.7 鋰電池的顯示幕

Hilti Nuron鋰電池會顯示電池的電力、錯誤訊息和狀態。

3.7.1 電力 and 錯誤訊息的顯示



警告

有受傷的危險！因電池掉落

▶ 電池已插入時，請在按下拆卸鈕後確保電池重新正確地卡入所使用的產品中。

如欲獲得下列其中一個顯示畫面，請短按電池拆卸鈕。

只要已連接的產品已啟動，也會持續顯示充電狀態和可能的功能故障。

狀態	意義
四個 (4) LED持續亮綠燈	充電狀態：100 %至71 %
三個 (3) LED持續亮綠燈。	充電狀態：70 %至51 %
兩個 (2) LED持續亮綠燈。	充電狀態：50 %至26 %
一個 (1) LED持續亮綠燈。	充電狀態：25 %至10 %
一個 (1) LED緩慢閃綠燈。	充電狀態：< 10 %
一個 (1) LED快速閃綠燈。	鋰電池已完全沒電。裝入電池。 電池充電後若LED仍快速閃爍，請洽詢Hilti維修中心。
一個 (1) LED快速閃黃燈。	鋰電池或與之連接的產品過載、溫度太高、溫度太低或有其他故障情形。 請讓產品和電池維持在建議的操作溫度，並在使用時不要使產品過載。 若訊息持續存在，請洽詢Hilti維修中心。
一個 (1) LED亮黃燈	鋰電池和與其連接的產品不相容。請聯絡Hilti維修中心。
一個 (1) LED快速閃紅燈	鋰電池已鎖定，無法繼續使用。請聯絡Hilti維修中心。

3.7.2 顯示電池狀態

如欲檢查電池狀態，請按住拆卸鈕3秒鐘以上。系統無法偵測到電池因掉落、刺穿、外部熱損傷等錯誤使用造成的潛在功能故障。

狀態	意義
所有LED以跑馬燈形式亮起，然後一個LED持續亮起綠色。	電池仍可繼續使用。
所有LED以跑馬燈形式亮起，然後一個LED快速閃爍黃色。	無法完成有關電池狀態的查詢。請重複上述程序或洽詢Hilti維修中心。
所有LED以跑馬燈形式亮起，然後一個LED持續亮起綠紅色。	若連接之產品仍可繼續使用，剩餘的電池容量會低於50%。 若連接之產品無法使用，表示電池已達最終使用壽命，應進行更換。請聯絡Hilti維修中心。

4 充電式鑿破機

	TE 2000-22
重量依據EPTA Procedure 01不含電池	17.4 kg
單次衝擊力 (EPTA-Procedure 05)	38.2 J



	TE 2000-22
操作時的環境溫度	-17 °C ... 60 °C
貯放溫度	-20 °C ... 70 °C

4.1 電池

電池操作電壓	21.6 V
電池重量	請參閱本操作說明書結尾處
操作時的環境溫度	-17 °C ... 60 °C
貯放溫度	-20 °C ... 40 °C
電池充電啟動溫度	-10 °C ... 45 °C

4.2 噪音資訊和震動值 (依據EN 62841)

操作說明中所提供之音壓和震動值已參照標準測量，並可用來比較不同機具之噪音。它們也可作為噪音量的初步評估。

提供之資料表示機具主要應用時之數值。若機具應用於不同之用途，搭配不同的配件工具或在保養不良的情況下，其數據會有所不同。在作業過程中，這會大幅提高其噪音量。

當機具關閉，或開啟但未進行任何作業時也應列入考量，才能準確評估噪音量。在作業過程中，這會大幅降低其噪音量。

確認其他安全措施，以保護操作員不受噪音和 / 或震動影響，例如：保養機具與其配件、操作前保持雙手溫暖、作業型式之安排等。

噪音資訊

測定聲功率級數 (L_{WA})	98 dB(A)
無法判定的聲功率級數 (K_{WA})	3 dB(A)
釋放的音壓級數 (L_{pA})	87 dB(A)
無法判定的音壓級數 (K_{pA})	3 dB(A)

總震動

鑿孔 ($a_{h, Cheq}$)	B 22-170	3.8 m/s ²
	B 22-255	3.8 m/s ²
無法判定 (K)		1.5 m/s ²

5 工作場所的準備工作



警告

有受傷的危險 因意外啟動

- ▶ 置入電池前，請確認所屬產品已關閉。
- ▶ 在調整機具或變更配件前請先將電池拆下。

請遵守本文件中與產品上的安全說明和警告。

5.1 為充電電池進行充電

1. 電池充電前，請閱讀充電器的操作手冊。
2. 確認電池的接點和充電器的接點清潔且乾燥。
3. 請使用經認可的充電器對電池充電。→ 頁次 202

5.2 安裝充電電池



警告

有受傷的危險 因短路或電池掉落！

- ▶ 置入電池前，請確認電池的接點及產品的接點上無任何異物。
- ▶ 請確保電池已確實卡合。



1. 初次使用前，請將電池完全充電。
2. 請將電池推入產品中，直到聽到卡入聲。
3. 請檢查電池是否安裝牢固。

5.3 卸下電池

1. 按下電池拆卸鈕。
2. 將電池從產品卸下。

6 操作

請遵守本文件中與產品上的安全說明和警告。

6.1 安裝配件工具

1. 在配件工具的連接頭添加少量的潤滑劑。



使用不適合的潤滑劑會造成產品損壞。務必使用原廠Hilti潤滑劑。

2. 盡可能將配件工具推入夾具內，並施加些微壓力直到發出咬合的喀嗒聲。
3. 請以握住拉取方式檢查鑿子是否已正確咬合。

6.2 卸下配件



注意

有受傷的危險！ 配件可能會非常燙和 / 或有尖銳的邊緣。

- ▶ 請在更換配件工具時戴上防護手套。
- ▶ 不得將配件工具放置在可燃表面上。

1. 將配件工具固定棒盡可能向後拉回。
2. 卸下配件。

6.3 操作

請遵守本文件中與產品上的安全說明和警告。

開始進行作業前，須得到現場工程師或建築師的完整許可。

6.3.1 鑿孔

1. 將鑿子尖端置於需要的位置。
2. 按下On/Off開關。



低溫環境的運作：

鎚擊機制僅在當本產品達到最低運轉溫度時才能運作。請將鑿子放置基材接觸面，並啟動本產品使之於無負載下運轉，直到到達所需的運轉溫度。如有必要，請重複此程序直到鎚擊機制開始運作。

6.3.2 關閉開關

- ▶ 按下On/Off開關。

6.3.3 操作機具



鑿子可調整在6種不同位置（每60°一段）。這樣便可確保扁鑿和各形狀的鑿子可以設定在最佳運作段位。

- ▶ 將鑿子放置在工件邊緣約80 - 100 mm (3 1/8" - 4") 的位置。
- ▶ 在鋼筋附近工作時，請務必將鑿子尖端往工件邊緣方向導引，而不是往鋼筋。
- ▶ 一開始，先將鑿子放置在與混凝土表面為90°的角度，然後鑿子尖端指向工件邊緣處。然後將角度轉至70°至80°，並將材料鑿穿。
- ▶ 請定期旋轉鑿子，因均勻磨損有助於自銳作用。
- ▶ 若壓力不足，鑿子會到處亂跳，無法控制。過度壓力的使用會造成鑿孔效能的損失。



7 搬運推車和提箱 B22/C (XL)

7.1 運送

搬運推車可以確保鑿破機的搬運安全。

提箱 B22/C (XL) 可確保充電器與電池的運輸安全。

- 請將搬運推車停放在穩定、牢靠的位置。
- 請將產品放在專用的機具定位銷上並務必在運送過程中使用鎖條將其固定。
- 請將提箱 B22/C (XL) 置放於搬運推車上並用鎖定裝置將其固定。
- 請小心並僅遵循安全的搬運路線。
- 請勿將搬運推車停放在斜坡上。
- 請勿使用起重機搬運提箱 B22/C (XL) 和搬運推車。
- 將鑿子推入提供的承座中直到確實咬合。
- 請小心並僅遵循安全的搬運路線。
- 請勿將搬運推車停放在斜坡上。
- 請勿使用起重機搬運提箱 B22/C (XL) 和搬運推車。

8 維護及保養



警告

在電池插入的情況下有受傷危險！

- ▶ 在進行任何保養及維護作業前請務必將電池取出！

產品保養

- 小心地清除頑強的髒污。
- 若有，則使用乾燥的刷子小心地清潔通風口。
- 僅能使用微濕軟布清潔外殼。勿使用含硅樹脂的清潔或亮光劑，因為可能會造成塑膠零件損壞。

鋰電池的保養

- 通風口堵塞時請勿使用電池。請使用乾燥的軟刷子小心地清潔通風口。
- 請避免電池暴露在粉塵或髒污的環境之中。請勿讓電池接觸過高的濕氣（例如：浸入水中或淋雨）。
電池若濕透，請將該電池視為已受損。請將電池隔絕在不可燃的容器內，並洽詢Hilti維修中心。
- 避免電池沾上油脂。避免讓電池上積聚粉塵或髒污。請使用乾燥的軟刷或乾淨的乾布清潔電池。
請勿使用含矽膠的清潔或亮光劑，因為可能會造成塑膠零件損壞。
- 僅能使用微濕軟布清潔外殼。勿使用含硅樹脂的清潔或亮光劑，因為可能會造成塑膠零件損壞。

維護

- 定期檢查外部零件和控制元件有無損壞跡象，並確認它們運作正常。
- 如果有損壞跡象或任何零件功能故障，請不要操作本產品。請將產品立刻交付Hilti維修中心進行維修。
- 清潔及保養後，裝上所有防護套或保護裝置並檢查功能是否正常。



為確保操作的安全及可靠性，請務必使用原廠Hilti備件與耗材。要選購Hilti認可的備件、耗材和配件，請至Hilti Store或網站：www.hilti.group。

9 充電式機具和電池的運輸與存放

搬運



注意

搬運時意外啟動！

- ▶ 搬運產品時務必卸下電池！
- ▶ 取出電池。
- ▶ 切勿散裝運輸電池。運送過程中，應保護電池避免衝擊與震動並與導電物質或其他電池隔離，以免因與電池端子接觸而造成短路。請遵守您所在地當地的電池運輸規範。
- ▶ 請勿以郵寄方式遞送電池。若要運送未損壞之電池，請洽詢運送服務商。
- ▶ 每次使用前以及長途運輸前後請檢查本產品和電池是否受損。



設備的貯放



警告

瑕疵或漏液的電池所造成的意外損害！

- ▶ 存放產品時，一律不可插入電池！
- ▶ 請將本產品和電池存放在陰涼及乾燥處。請遵守技術性數據中所規定的溫度極限值。
- ▶ 請勿將電池貯放在充電器中。完成充電程序後，請將電池從充電器取出。
- ▶ 請勿將電池存放在有日光直射處、熱源上或玻璃後方。
- ▶ 請將本產品和電池存放在兒童或未授權人員無法觸及的地點。
- ▶ 每次使用前以及長時間存放前後請檢查本產品和電池是否受損。

10 故障排除

發生任何故障時，請您留意電池充電狀態及故障指示燈。請參閱**鋰電池指示器**章節。

若您遇到未列出的問題或是無法自行排除的問題，請聯絡**Hilti**維修中心。

故障	可能原因	解決方法
電池咬合時不會發出喀啦聲。	電池上的卡榫或設備接口有髒汙。	▶ 清潔卡榫並重新安裝電池。
電池較一般電池壽命短。	電池電力非處於最佳狀態。	▶ 檢查充電電池的電量。 → 頁次 203
產品無法啟動。	僅插入已充電的電池。	▶ 插入第二個已充電的電池。
無鎚擊動作。	產品溫度過低。	▶ 緩慢並小心的將產品與工作表面接觸，開啟並讓其以怠速運轉。如果需要，請重複此程序直到鎚擊機制開始運作。
本產品或電池的溫度極高。	電力故障。	▶ 請立即關閉產品。請取下電池並置於可隨時觀察的位置。請待其冷卻。聯絡 Hilti 維修中心。
產品在運轉時自行關閉或無法啟動	產品 / 電池過熱或過冷。	▶ 關機，讓產品 / 電池冷卻。 ▶ 電池過冷。將電池置於建議操作溫度環境內。

11 廢棄設備處置



警告

不當的廢棄物處理可能導致人員受傷！洩漏出來的氣體或液體有害健康。

- ▶ 請勿以郵寄方式寄送電池。
- ▶ 將電池端子蓋上不導電物質（例如絕緣膠帶）以避免短路。
- ▶ 請將電池棄置於兒童無法觸及的地方。
- ▶ 請將該電池送交**Hilti Store**處理或洽詢權責的廢棄處理公司。

Hilti產品所採用的材料大部分均可回收再利用。材料在回收前必須正確地分類。**Hilti**在許多國家都有提供老舊機具回收服務。請洽詢**Hilti**客服中心或您在地經銷商。



- ▶ 請勿將機具、電子設備或電池當作一般家用廢棄物處理！

12 製造商保固

- ▶ 如果您對於保固條件有任何問題，請聯絡當地**Hilti**代理商。

Hilti Taiwan Co., Ltd.

4/F, No. 2 Jen Ai Road, Sec. 2, Taipei, 10060 Taiwan

Tel. +886 2 2357 9090

13 其他資訊

有關於操作、技術、環境和回收的更多資訊，請參訪以下連結：qr.hilti.com/manual/?id=2301751&id=2301753



2301752

原版操作說明

1 文档信息

1.1 关于该文档

- 首次操作或使用前，请先阅读本文档。这是安全、无故障地操作和使用产品的前提条件。
- 请遵守本文档中以及产品上的安全说明和警告。
- 请务必将本操作说明与本产品保存在一起，确保将操作说明随产品一起交给他人。

1.2 所用标志的说明

1.2.1 警告

警告是为了提醒您在处理或使用此产品时会发生的危险。使用以下信号词：



危险！

- ▶ 用于让人们能够注意到会导致严重身体伤害或致命的迫近危险。



警告！

- ▶ 用于提醒人们注意可能导致严重或致命伤害的潜在危险。



小心！

- ▶ 用于提醒人们注意可能造成人身伤害、设备损坏或其他财产损失的潜在危险情况。

1.2.2 操作说明中的符号

本操作说明中使用下列符号：

	遵守操作说明
	使用说明和其他有用信息
	处理可回收材料
	不得将电气设备和电池作为生活垃圾处置
	Hilti 锂离子电池
	Hilti 充电器

1.2.3 图示中的符号

图示中使用了下列符号：

	这些编号指本操作说明开始处的相应图示。
3	图示中的编号反映操作顺序，可能与文本中描述的步骤不同。
	位置编号被用于概览图中并表示产品概览段落中的图例编号。
	这些字符旨在提醒您特别注意操作本产品时的某些要点。



1.3 与产品相关的标志

1.3.1 产品使用的符号

产品使用的符号如下：

	不允许使用起重机进行运输
	本产品支持近场通信 (NFC) 技术，兼容 iOS 和安卓平台。
Li-Ion	锂离子电池
	切勿将电池用作敲击工具。
	请勿让电池掉落。切勿使用受到撞击或有任何损坏的电池。

1.4 产品信息

HILTI 产品经设计适用于专业用户，只有经过专门训练的授权人员才允许操作、维修和维护本产品。必须将任何可能的危险专门告知该人员。不按照既定用途使用或由未经培训的人员不正确地使用本产品及其辅助设备可能会带来危险。

型号名称和序列号印在铭牌上。

- ▶ 在下表中填写序列号。在联系 Hilti 维修中心或当地 Hilti 机构询问产品时，将要求您提供产品的详细信息。

产品信息

破碎机	TE 2000-22
分代号	01
序列号	

1.5 符合性声明

制造商全权负责声明，此处所述及的产品符合现行法规和标准。一致性声明副本位于本文档结尾处。技术文档在此处归档：

Hilti Entwicklungsgesellschaft mbH | Tool Certification | Hiltistrasse 6 | D-86916 Kaufering, Germany

2 安全

2.1 一般电动工具安全警告

警告 请阅读本电动工具随附的所有安全警告、说明、图示和技术规范。不遵守下列所有操作说明可能会导致电击、火灾和/或严重人身伤害。

请保存所有安全警告和操作说明，以供将来参考。

在所有下列的警告中术语“电动工具”指市电驱动(有线)电动工具或电池驱动(无线)电动工具。

工作区域安全

- ▶ 保持工作区域清洁和良好照明。杂乱和黑暗的区域容易导致事故。
- ▶ 不要在爆炸性环境中操作电动工具，例如有易燃液体、气体或灰尘。电动工具会产生可以点燃这些灰尘或烟雾的火花。
- ▶ 在操作电动工具时，要令儿童和旁观者远离工作现场。万一分心，可能会使您失去对电动工具的控制。

电气安全

- ▶ 电动工具(设备)插头必须匹配电源插座。切勿以任何方式改动插头。对于接地的电动工具(设备)，不要使用任何适配器插头。使用未经改动的插头和匹配的电源插座可以大大减少电击危险。
- ▶ 避免人体接触接地表面，如管道、散热片和冰箱。如果您的身体接地，则会增加电击危险。
- ▶ 不要将电动工具暴露在雨水或潮湿环境中。电动工具进水将会增加电击危险。
- ▶ 不要滥用电缆。切勿使用电缆运送、拉动或拔出电动工具。保持电缆远离高温、油、锋利边缘或运动部件。电缆损坏或缠绕会增加电击危险。
- ▶ 当在户外操作电动工具时，应使用经认可适合户外操作的加长电缆。使用适合户外使用的电缆可减少电击危险。
- ▶ 如果在潮湿环境下操作电动工具是不可避免的，应使用剩余电流动作保护器(RCD)。使用 RCD 可减少电击危险。



人身安全

- ▶ 保持警觉，注意您正在进行的工作，并在操作电动工具的过程中，应利用自己的判断能力。当您疲劳或受到药物、酒精或医疗影响时，请不要使用电动工具。当操作电动工具时，瞬间的分心都可能导致严重的人身伤害。
- ▶ 使用个人防护装备。一定要戴上护目装置。安全装置，诸如适当条件下使用防尘面具、防滑安全鞋、安全帽、听力防护等装置能减少人身伤害。
- ▶ 防止电动工具意外启动。在连接至电源和/或电池组、拿起或搬运电动工具之前，应确保开关处于“关闭”位置。将手指放在开关上搬运电动工具或在开关处于“打开”位置时接通电源，都可能会导致事故发生。
- ▶ 在打开电动工具之前，必须拿掉任何调整键或扳手。让扳手或调整键留在电动工具的旋转部件上可能会导致人身伤害。
- ▶ 不要操之过急。应时刻保持正确的站姿和平衡。这在意外情况下能够更好地控制电动工具。
- ▶ 应确保正确着装。不要穿着松垮的衣服或佩戴首饰。让头发和衣服远离运动部件。松垮的衣服、首饰或长发会卡在运动部件中。
- ▶ 如果提供有助于连接除尘和集尘设施的装置，应确保将它们连接好并正确使用。使用除尘装置可以减少与灰尘相关的危险。
- ▶ 经常使用工具能令您获得较高的熟练度，但不能因此掉以轻心和忽视工具安全准则。一次不慎操作就会在瞬间导致重伤。

电动工具的使用和维护

- ▶ 不要强制使用电动工具。针对您的应用场合使用正确的电动工具。正确的电动工具在其额定设计值范围内将能够更好和更安全地工作。
- ▶ 如果通过开关不能使其打开和关闭，则请不要使用电动工具。任何不能通过开关进行控制的电动工具都是危险的，必须对其进行修理。
- ▶ 在进行任何调整、更换配件或存放电动工具之前，应从电源上断开插头和/或从电动工具上拆下电池组（若可拆卸）。此预防性安全措施可减少意外启动电动工具的危险。
- ▶ 将不用的电动工具存放在儿童拿不到的地方，并且不要让不熟悉电动工具或其操作说明的人员操作电动工具。未经培训的用户操作电动工具是危险的。
- ▶ 维护电动工具和配件。检查是否存在运动部件失调或卡滞、部件断裂和任何其它影响电动工具操作的情况。如果存在损坏，则在使用之前应修理电动工具。许多事故都是由于电动工具维护不良造成的。
- ▶ 保持切削工具锋利和清洁。带锋利切削刃的切削工具如果维护得当，很少会发生卡滞且更容易控制。
- ▶ 按照使用说明书，考虑作业条件和进行的作业来使用电动工具、附件和工具的刀头等。将电动工具用于指定用途以外的场合会导致危险。
- ▶ 使手柄和抓握面保持干燥、清洁且没有油脂。如果手柄和抓握面打滑，将无法在意外情况下安全操作或控制本工具。

无绳（电池操作）工具/设备的使用和维护

- ▶ 充电时只能使用制造商指定的充电器。适合某种类型电池组的充电器如果被用于为另一类型电池组充电，则可能会带来火灾危险。
- ▶ 只能使用专用电池组为电动工具供电。使用任何其它电池组可能会带来人身伤害和火灾。
- ▶ 当电池组不用时，应使其远离其它金属物体，例如纸夹、硬币、钥匙、钉子、螺钉或其它小的金属物体，以免造成短路。如果电池端子被短路，则会造成人员烧伤或火灾。
- ▶ 如果持续滥用电池，则可能会造成液体从电池中喷射出来；注意避免接触到液体。如果意外接触到液体，应用水冲洗。如果液体接触眼睛，除了用大量清水冲洗外，还应立即就医。从电池中喷射出来的液体会导致疼痛或灼伤。
- ▶ 不要使用损坏或改装过的电池组或工具。损坏或改装过的电池会造成不可预测的情形，导致火灾、爆炸或受伤风险。
- ▶ 不要将电池组或工具暴露在明火或过高的温度中。暴露在明火或超过 130 °C (265 °F) 温度中可能导致爆炸。
- ▶ 遵守所有充电说明，且不要在使用说明规定的温度范围之外对电池组或工具充电。充电不正确或在规定温度范围之外充电会损坏电池并增加火灾风险。

保养

- ▶ 将您的电动工具送交专业维修人员，使用同样的备件进行修理。这样才能可确保维持电动工具（设备）的安全性。
- ▶ 切勿擅自维修损坏的电池组。仅可由制造商或授权服务提供商执行电池组的维修。

2.2 锤钻安全警告

所有操作的安全说明

- ▶ 戴上护耳装置。如果直接暴露在噪音中，则可能会导致听力受损。
- ▶ 应总是使用辅助手柄（若随工具提供）。对工具失去控制可能会导致人身伤害。



- ▶ 当执行切削配件可能会接触到隐藏导线的操作时，应确保只能通过绝缘把手表面握住电动工具。如果切削配件接触“带电”导线，则会使电动工具的裸露金属部件“带电”，从而可能会电击到操作者。

2.3 破碎机的其它附加安全说明

人身安全

- ▶ 只有产品和附件处于良好的技术状态时才能使用。
- ▶ 切勿以任何方式擅自改动或改装本产品或附件。
- ▶ 如果可以的话，请使用运输车或其他运输工具。如果没有运输车或者运输工具可供使用，应由两个人来抬起本产品。请注意，该产品加上运输车很重。
- ▶ 当对天花板、墙壁和地板进行凿边时，请务必确保采用安全、稳妥的工作姿势。突然的穿透操作会影响您的身体平衡！
- ▶ 在需要穿透的待加工工件的对侧采取适当的安全措施。被钻下的工件部分可能会弹出或掉落并伤害到其他人员。
- ▶ 使用本产品时，您和附近的任何其他人员都必须戴上护目装置、安全帽、护耳装置和轻便的呼吸防护装置。
- ▶ 磨削、抛光、切割和钻孔过程中产生的粉尘可能包含有害化学物质。一些例子包括：铅或铅基涂料；砖、混凝土、其他砖石产品、天然石材和其他含硅酸盐的产品；一些木材，例如橡木、山毛榉和化学处理过的木材；石棉或含石棉的材料。根据所处理材料的危险等级，确定操作员和附近人员的暴露程度。采取必要的措施将暴露保持在安全水平内，例如使用集尘系统或佩戴适当的呼吸防护装置。减少暴露的一般措施包括：
 - ▶ 在通风良好的区域进行操作，
 - ▶ 避免长时间接触粉尘，
 - ▶ 清除脸部和身体上的粉尘，
 - ▶ 穿着防护服并用肥皂和水清洗暴露的部位。
- ▶ 在更换配套工具时佩戴防护手套。触碰配套工具会导致割伤和烫伤。
- ▶ 工具和/或附件掉落会带来人身伤害的危险。开始工作前请检查电池和安装的附件是否已牢牢固定。
- ▶ 始终保持通风孔畅通。遮盖通风孔会有火灾风险！
- ▶ 请戴上护目装置。飞溅的碎片有导致身体和眼睛受伤的风险。
- ▶ 适当休息并活动手指，以改善手指的血液循环。工作期间长时间暴露于强烈振动环境中可能导致手指、手掌和手腕部位血管和神经系统紊乱。
- ▶ 随时注意确保本产品立在稳定可靠的位置。始终将本产品放在平稳、无振动和晃动的表面上。

电气安全

- ▶ 开始工作前，检查工作区域是否有隐蔽的电缆或天然气和水管。如果电缆、燃气管或水管有损坏，则产品的外部金属部件可能会导致电击或爆炸。

电动工具的使用和保养

- ▶ 直至电动工具完全停止才可将其放下。
- ▶ 仅在将产品带到工作位置时才可将其打开。

2.4 小心处理和使用电池

- ▶ 请遵守以下关于安全操作和使用锂离子电动工具电池的安全提示。若未能遵守，会导致皮肤刺激、严重的腐蚀伤、化学烫伤、火灾和/或爆炸。
- ▶ 只有电池处于良好的技术状态时才能使用。
- ▶ 请小心地处理电池，以防损坏电池和避免对健康极有害的液体泄漏！
- ▶ 严禁改装或篡改电池！
- ▶ 请勿拆开、挤压或烧毁电池，不要让它们暴露在超过 80°C (176°F) 的高温下。
- ▶ 对于遭受过撞击或有其他损坏的电池，切勿使用或对其进行充电。定期检查电池是否有损坏的迹象。
- ▶ 切勿使用回收的或修理过的电池。
- ▶ 切勿将电池或电池供电的电动工具用作锤子。
- ▶ 切勿将电池暴露在直射的阳光下、高温、火花或明火中。可能会导致爆炸。
- ▶ 切勿用手指、工具、珠宝或其他导电物体接触电池极片。否则会损坏电池，造成财产损失和人身伤害。
- ▶ 确保电池远离雨水、潮气和液体。受潮会导致短路、漏电、燃烧、火灾或爆炸。
- ▶ 仅限使用经批准用于特定电池类型的充电器和电动工具。阅读并遵守相关操作说明中的规定。
- ▶ 不得在易爆环境中存放或使用电池。



- ▶ 如果电池发热烫手，则可能有故障。请将电池放在醒目且无火灾风险的地方，并与易燃物品保持足够距离。让电池自行冷却。如果一小时后电池仍然发热烫手，则表示存在故障。请联系 **Hilti** 维修中心或阅读文档“有关 **Hilti** 锂离子电池安全性和使用的提示”。

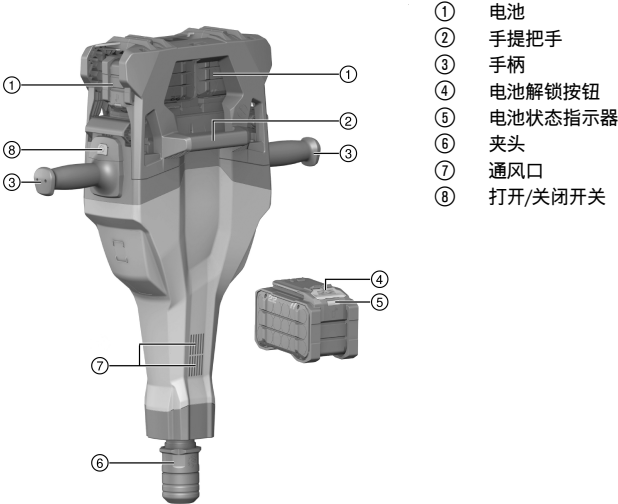


请遵守适用于锂离子电池运输、存储和使用的特殊准则。→ 页码 217

请通过扫描该操作说明末尾的二维码来阅读有关 **Hilti** 锂离子电池安全性和使用的提示。

3 说明

3.1 产品概述



- ① 电池
- ② 手提把手
- ③ 手柄
- ④ 电池解锁按钮
- ⑤ 电池状态指示器
- ⑥ 夹头
- ⑦ 通风口
- ⑧ 打开/关闭开关

3.2 运输车 and 箱子 B22C (XL) (选装) 概览

- ① 把手
- ② 负载固定
- ③ 锁杆
- ④ 电池盒锁紧装置 B22C (XL)
- ⑤ 配套工具 (凿子) 用支架
- ⑥ 滚轮
- ⑦ 滚轮固定件 (垫圈、固定销)
- ⑧ 电动工具定位销
- ⑨ 手提把手
- ⑩ 电池
- ⑪ 充电器
- ⑫ 箱子 B22C (XL)

3.3 预期用途

所描述的产品是一款手持式无绳电动凿锤。设计用于混凝土、砖石和沥青材料的凿边作业。也可将其用于挖掘和压实。

本产品只能面向地面使用。

- 本产品只能与 **Hilti** Nuron B 22 系列锂离子电池搭配使用。为确保最佳功率，**Hilti** 建议为本产品使用该操作说明末尾表格中给出的电池。
- 此类电池仅限使用该操作说明末尾表格所规定型号系列的 **Hilti** 充电器充电。

3.4 不当使用

- 不得在潮湿环境中使用本产品。
- 不要在存在火灾和爆炸风险的情况下使用本产品。
- 不允许使用对健康有害的材料 (例如石棉)。
- 请勿使用吊车运输该产品。
- 不要在梯子上执行操作。



- 本产品不得在与墙壁水平的工作方向上使用。
- 请勿使用工具固定绳索。

3.5 Active Vibration Reduction

本工具配备有 Active Vibration Reduction (AVR) 系统，能够显著减小振动。

3.6 供货提供的部件：

无绳电动凿锤、操作说明、油脂

运输车与电池和充电器盒作为附件提供。

经批准可以与本产品搭配使用的其它系统产品，可以在您当地的 www.hilti.group 购买或访问 **Hilti Store** 在线订购

3.7 锂离子电池指示灯

Hilti Nuron 锂离子电池可以显示电池的充电状态、出错信息和状态。

3.7.1 充电状态和出错信息的显示



人身伤害的危险！电池掉落的风险！

- ▶ 在插入电池的情况下按压解锁按钮后，确保将电池重新正确锁定在所用的产品中。

请短暂按压电池的解锁按钮，以获得下列指示灯指示之一。

只要连接的产品已接通，便会持续显示充电状态和可能的故障。

状态	含义
四个 (4) LED 灯持续亮起绿光	充电状态：100 % 至 71 %
三个 (3) LED 灯持续亮起绿光	充电状态：70 % 至 51 %
两个 (2) LED 灯持续亮起绿光	充电状态：50 % 至 26 %
一个 (1) LED 灯持续亮起绿光	充电状态：25 % 至 10 %
一个 (1) LED 灯缓慢闪绿光	充电状态：< 10%
一个 (1) LED 灯快速闪绿光	锂离子电池电量耗尽。为电池充电。 如果在为电池充电后 LED 灯始终快速闪烁，请联系 Hilti 维修中心。
一个 (1) LED 灯快速闪黄光	锂离子电池或与其相连的产品过载、过热、过冷或存在其他故障。 使产品和电池达到建议的工作温度，并且在使用时不要使产品过载。 如果信息仍然存在，请联系 Hilti 维修中心。
一个 (1) LED 灯亮起黄光	锂离子电池和连接的产品不兼容。请联系 Hilti 维修中心。
一个 (1) LED 灯快速闪红光	锂离子电池被锁定且无法继续使用。请联系 Hilti 维修中心。

3.7.2 电池状态的显示

如要检查电池状态，请按住解锁按钮三秒钟以上。系统未检测到由于掉落、刺穿、外部热损坏等错误使用而引起的电池潜在故障。

状态	含义
所有 LED 灯都作为运行灯亮起，接着有一个 (1) LED 灯持续亮绿光。	电池可以继续使用。
所有 LED 灯都作为运行灯亮起，接着有一个 (1) LED 灯快速闪黄光。	未能完成电池状态的查询。请重复该过程或联系 Hilti 维修中心。
所有 LED 灯都作为运行灯亮起，接着有一个 (1) LED 灯持续亮红光。	如果仍然可以继续使用所连接的产品，则电池剩余电量不足 50%。 如果无法再使用所连接的产品，则电池的使用寿命即将结束，应予以更换。请联系 Hilti 维修中心。



4 充电式破碎机

	TE 2000-22
符合 EPTA Procedure 01 要求的重量 (不包括电池)	17.4 kg
单次冲击能量 (EPTA-Procudur 05)	38.2 J
适合工作的环境温度	-17 °C ... 60 °C
存放温度	-20 °C ... 70 °C

4.1 电池

电池工作电压	21.6 V
电池重量	参见操作说明结尾
适合工作的环境温度	-17 °C ... 60 °C
存放温度	-20 °C ... 40 °C
电池充电起始温度	-10 °C ... 45 °C

4.2 噪音信息和振动值按照 EN 62841 标准

这些说明中给出的声压和振动值按照标准化测试的要求测得，可用于比较一种电动工具与另一种电动工具。它们还可用于初步评价受振动影响的程度。

提供的数据代表本电动工具的主要应用。但是，如果将电动工具用于不同的应用、使用不同的配套工具或维护不良，则数据可能不同。这可能会显著增加操作者在整个工作期间受振动影响的程度。

对受振动影响程度的准确估计还应考虑当关闭电动工具或当它运行但实际未进行工作时的情况。这可能会显著减小操作者在整个工作期间受振动影响的程度。

此外，应确定附加安全措施，以保护操作者免受噪音和/或振动影响，例如：正确维护电动工具和配套工具、保持双手温暖、制订合理的工作计划等。

噪音信息

声功率级已测量 (L_{WA})	98 dB(A)
声功率级的不确定性 (K_{WA})	3 dB(A)
排放声压级 (L_{pA})	87 dB(A)
声压级的不确定性 (K_{pA})	3 dB(A)

总振动量

凿边 ($a_{h, CHeq}$)	B 22-170	3.8 m/s ²
	B 22-255	3.8 m/s ²
不确定性 (K)		1.5 m/s ²

5 工作现场的准备工作



-警告-

电池短路或跌落 意外启动的风险！

- ▶ 插入电池前，确保已关闭相关的产品。
- ▶ 对设备进行任何调节或更换配件前，请先取出电池。

请遵守本文档中以及产品上的安全说明和警告。

5.1 为电池充电

1. 为电池充电之前，请阅读充电器的操作说明。
2. 确保电池和充电器上的触点均清洁、干燥。
3. 使用认可的充电器为电池充电。→ 页码 212



5.2 插入电池



-警告-

电池短路或跌落 有导致受伤的危险！

- ▶ 装入电池前，确保电池和产品的触点上均无异物。
 - ▶ 请确保始终正确卡入电池。
1. 首次使用电池之前，应将其充满电。
 2. 请将电池推入产品，直至听到卡止声。
 3. 检查并确认电池已可靠就位。

5.3 拆下电池

1. 按下电池释放按钮。
2. 从产品中取出电池。

6 操作

请遵守本文档以及产品上的安全说明和警告。

6.1 安装配套工具

1. 在配套工具的连接端涂抹少量润滑脂。



使用不合适的润滑脂会损坏本产品。只能使用原装 Hilti 润滑脂。

2. 将配套工具推入夹头中并推到底，转动并施加轻微的压力，直至听到其接合时发出“咔嚓”的声音。
3. 通过抓住并拉动凿子，检查并确认其已正确接合。

6.2 拆卸配套工具



-小心-

人身伤害的危险！配套工具可能会发烫或边缘很锋利。

- ▶ 更换配套工具时，戴上防护手套。
- ▶ 切勿将发烫的配套工具放在易燃表面上。

1. 将配套工具固定杆尽可能向后拉回。
2. 拆卸配套工具。

6.3 操作

请遵守本文档中以及产品上的安全说明和警告。

在开始工作之前，必须获得现场工程师或建筑师的完全批准。

6.3.1 凿边

1. 将凿子尖端定位在期望的位置。
2. 按下“打开/关闭”开关。



在低温下工作时：

锤击机构仅在本产品已达到最低工作温度时才会工作。使本产品与基材接触并允许其在无负荷条件下运行，直至达到所需的温度。必要时，可重复此步骤，直至锤击机构开始工作。

6.3.2 关闭

- ▶ 按下“打开/关闭”开关。

6.3.3 电动工具的使用



可以将凿子调整至 6 个不同位置 (以 60° 为增量)。这样可确保总是可以将平头和成形凿子设置到最佳工作位置。



- ▶ 使凿子接近工件至距离工件边缘约 80 - 100 mm (3 1/8" - 4")。
- ▶ 在钢筋附近工作时，应始终将凿子的尖端引向材料的边缘，而非引向钢筋。
- ▶ 在凿子与混凝土表面成 90° 时开始工作，令凿子的尖端朝向边缘。随着凿子深入，逐渐将这一角度变化到 70° 至 80° 左右，使材料破碎。
- ▶ 定时旋转凿子，因为均匀的损耗有助于自行磨尖。
- ▶ 如果施加的压力不足，则凿子将会不受控制地跳动。如果施加的压力过大，则将会导致凿边性能损失。

7 运输车和箱子 B22/C (XL)

7.1 运输

运输车有助于确保安全运输破碎机。

箱子 B22/C (XL) 确保充电器和电池的安全运输。

- 注意确保让运输车立在稳定可靠的位置。
- 将本产品置于专用的机器定位销上，并在运输期间始终用锁定卡箍将其固定。
- 将箱子 B22/C (XL) 放在运输车上并用锁紧装置固定。
- 运输时注意只能走安全的运送路线。
- 不得将运输车停在斜坡上。
- 请勿使用起重机搬运运输车和箱子 B22/C (XL)。
- 将凿子推送到提供的套筒中，直到其稳固接合。
- 运输时注意只能走安全的运送路线。
- 不得将运输车停在斜坡上。
- 请勿使用起重机搬运运输车和箱子 B22/C (XL)。

8 维护和保养



-警告-

插入的电池可能会造成人身伤害！

- ▶ 进行保养和维护工作前，请取出电池！

工具的保养

- 小心地清除顽固污渍。
- 如果有，请用干燥的刷子小心清洁通风孔。
- 请仅使用略湿的布清洁壳体。不要使用含硅清洁剂，否则可能腐蚀塑料件。

锂离子电池的保养

- 切勿使用通风孔堵塞的电池。用干燥的软毛刷小心地清洁通风孔。
- 避免不必要地将电池暴露在粉尘或污垢中。切勿将电池暴露在高湿度的环境中（例如将其浸在水中或放在雨中）。
如果电池浸湿，请如处理损坏的电池那样对其进行处理。将其隔离在不可燃的容器中，然后联系 **Hilti** 维修中心。
- 确保电池远离油和油脂。切勿让不必要的粉尘或脏污积聚在电池上。用干燥的软毛刷或干燥柔软的布清洁电池。
不要使用含硅清洁剂，否则可能腐蚀塑料件。
- 请仅使用略湿的布清洁壳体。不要使用含硅清洁剂，否则可能腐蚀塑料件。

维护

- 定期检查所有可见部件和控制器是否出现损坏迹象，确保其全部正常工作。
- 如果发现损坏迹象或如果有部件发生故障，不要操作本产品。立即将产品交由 **Hilti** 维修中心修复。
- 清洁和维护之后，安装所有护板或保护装置，检查并确认其正常工作。



为确保安全和可靠的操作，仅限使用 Hilti 原装件和消耗品。Hilti 批准用于配合产品使用的备件、消耗品和配件可到您当地的 **Hilti Store** 购买或通过以下网址在线订购：www.hilti.group。



9 电池型工具和电池的运输及存储

运输



运输途中的意外启动！

▶ 运输产品前务必将电池取出！

- ▶ 取下电池。
- ▶ 切勿松散、未加保护地运输电池。在运输过程中，应保护电池免受过度冲击或振动影响，并将其与任何导电材料或其它电池分开（因为它们可能会接触到电池端子并导致短路）。请遵守当地的电池运输规定。
- ▶ 请勿以邮寄方式运送电池。有关如何运送完好电池的说明，请咨询您的发货商。
- ▶ 每次使用前以及长时间运输前后都要检查产品和电池是否损坏。

存放



故障或泄漏的电池会导致意外损坏！

▶ 仅可在未插入电池的情况下存放产品！

- ▶ 请将产品和电池存放至凉爽干燥的地方。请遵守技术数据中规定的温度极限值。
- ▶ 请勿将电池存放在充电器中。充电过程结束后请始终将电池从充电器中取出。
- ▶ 切勿将电池存放在阳光下、热源上或玻璃后。
- ▶ 请将本产品与电池存放在儿童或非授权人员无法接近的位置。
- ▶ 每次使用前以及长时间存放前后都要检查产品和电池是否损坏。

10 故障排除

出现任何故障时，都应注意电池充电状态和故障指示灯。参见锂离子电池指示灯一章。

如果您碰到的问题未在此表中列出或您无法自行排除，请联系 Hilti 维修中心。

故障	可能原因	解决方案
电池未接合（没有发出咔哒声）。	电池上的固定凸耳或设备接口脏污。	▶ 清洁固定凸耳，然后重新插入电池。
电池比平常更快耗尽。	电池状态不是最佳。	▶ 查询电池状态。→ 页码 213
产品不启动。	仅插入了一个已充电电池。	▶ 请插入第二个已充电电池。
没有锤击作用。	产品过冷。	▶ 使产品与工作面接触，将其打开并空转。必要时，重复该步骤，直到锤击机构开始工作。
产品或电池变得很热。	电气损坏。	▶ 立即关闭本产品。请取出电池并仔细观察。使其冷却下来。联系 Hilti 维修中心。
产品在运行过程中骤停或者不启动	产品/电池过热或者电池过冷。	▶ 关断，令产品/电池冷却。 ▶ 电池过冷。将电池调节至推荐的工作温度。

11 废弃处置



废弃处理不当会有人身伤害的危险！漏出的气体或液体会带来健康危害。

- ▶ 不得通过邮寄方式发送任何电池。
- ▶ 用非导电材料（比如绝缘带）包住端子，以防止短路。
- ▶ 在儿童接触不到的地方处置电池。
- ▶ 请将电池送交 Hilti Store 处置，或咨询当地的废弃处理机构以获取处置说明。

制造 Hilti 产品所用的大部分材料都可回收利用。在可以回收之前，必须正确分离材料。Hilti 在很多国家都提供旧工具回收服务。请咨询 Hilti 客户服务部门或您的销售顾问。



- ▶ 不得将电动工具、电子设备或电池作为生活垃圾处置！



12 制造商保修

- ▶ 如果您有保修条件方面的问题，请联系您当地的 Hilti 公司代表。

13 更多信息

关于操作、技术、环保和回收的更多信息请查看以下链接：qr.hilti.com/manual/?id=2301751&id=2301753
文档末尾也提供二维码链接。



EC Declaration of Conformity | UK Declaration of Conformity



Manufacturer:
Hilti Corporation
Feldkircherstraße 100
9494 Schaan | Liechtenstein

UK Importer:
Hilti (Gt. Britain) Limited
1 Trafford Wharf Road, Old Trafford
Manchester, M17 1BY

TE 2000-22 (01)

Serial Numbers: 1-9999999999

2006/42/EC | Supply of Machinery (Safety) Regulations 2008

EN 62841-1:2015

EN 55014-1:2017+A11:2020

2014/30/EU | Electromagnetic Compatibility Regulations 2016

EN 62841-2-6:2020

EN 55014-2:2015

+A11:2020

2011/65/EU | The Restriction of the Use of Certain Hazardous Substances in Electrical and Electronic Equipment Regulations 2012

2000/14/EC | Noise Emission in the Environment by Equipment for use Outdoors Regulations 2001

Details to 2000/14/EC | Noise Emission in the Environment by Equipment for use Outdoors Regulations 2001:

Measured sound power level L_{WA} : 95 dB/1pW

Guaranteed sound power level, L_{WAd} : 100 dB/1pW

Conformity assessment procedure: 2000/14/EC Annex VI | Noise Emission in the Environment by Equipment for use Outdoors Regulations 2001, Schedule 9

EU Notified Body: TÜV NORD CERT GmbH
Langemarckstr. 20, 45141 Essen, Germany (CE 0044)

UK Approved Body: HORIBA MIRA Certification Ltd
Watling Street, Nuneaton, Warwickshire CV10 0TU (No 0888)

Dr. Tahar Zrilli
Head of Quality and Process Management
Business Area Electric Tools & Accessories

Schaan, 01.09.2021

Tassilo Deinzer
Executive Vice President
Business Unit Power Tools & Accessories



 **NURON**



B 22-170 (01)	7.90 Ah	1,34 kg	2.95 lb
B 22-255 (01)	11.85 Ah	1,87 kg	4.12 lb

C 4-22
C 6-22
C 8-22



Hilti Corporation
LI-9494 Schaan
Tel.:+423 234 21 11
Fax:+423 234 29 65
www.hilti.group



2301752